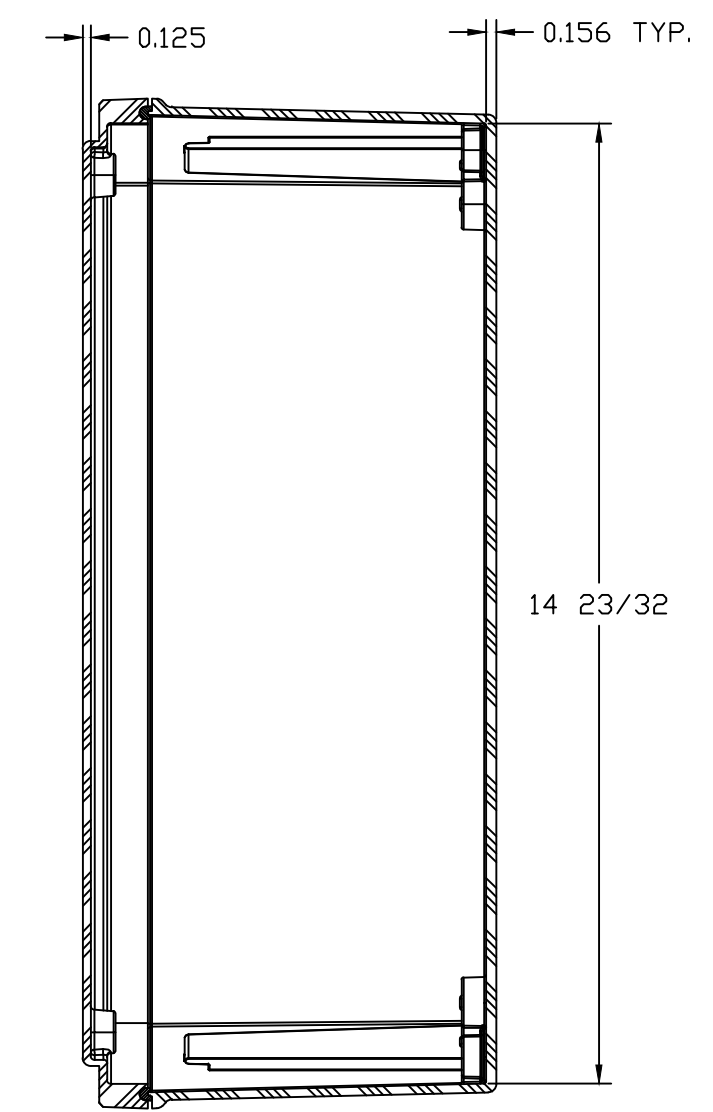
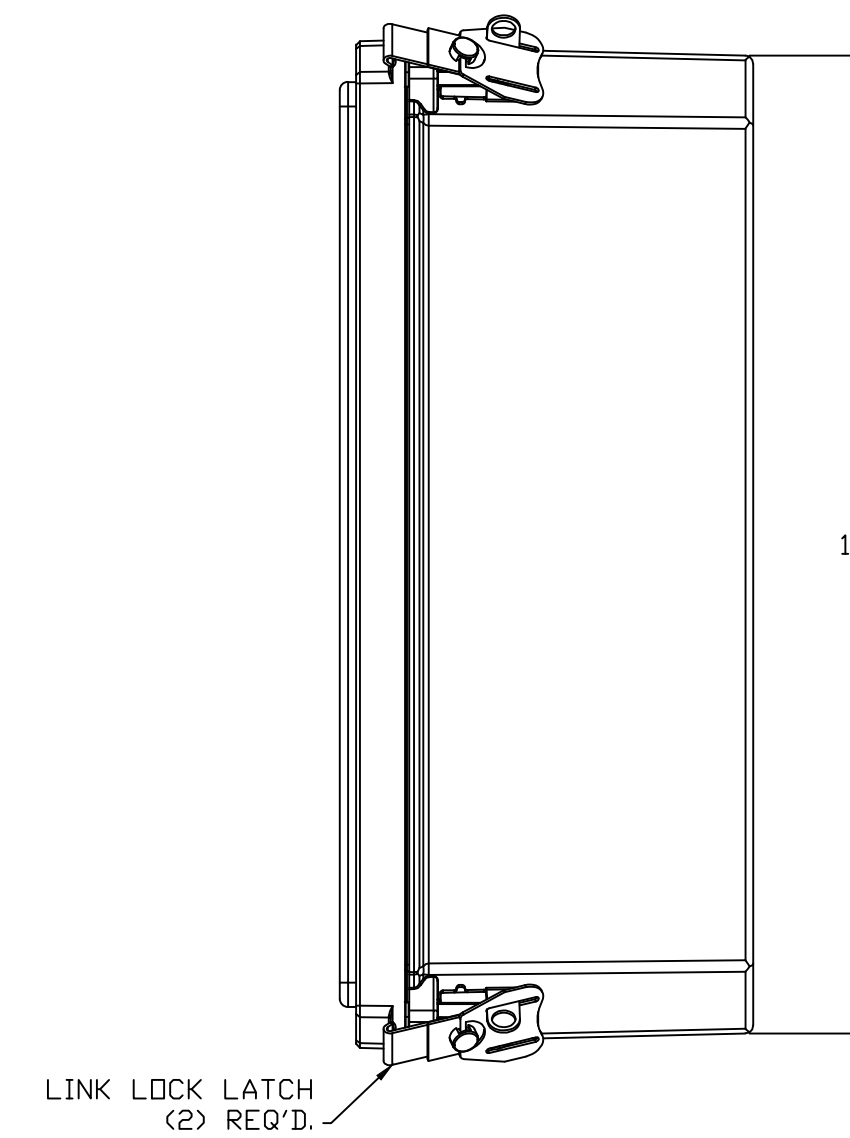
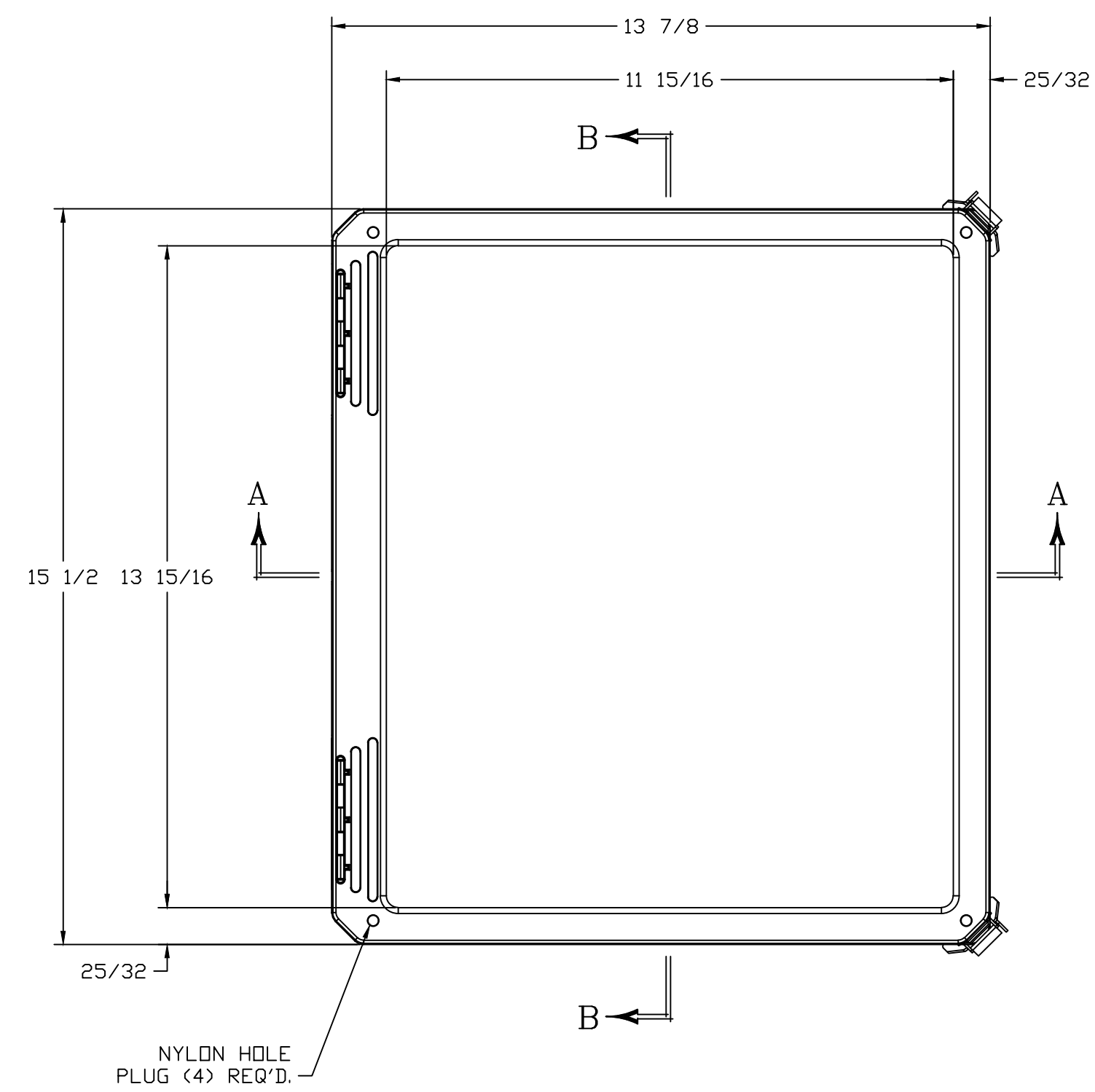
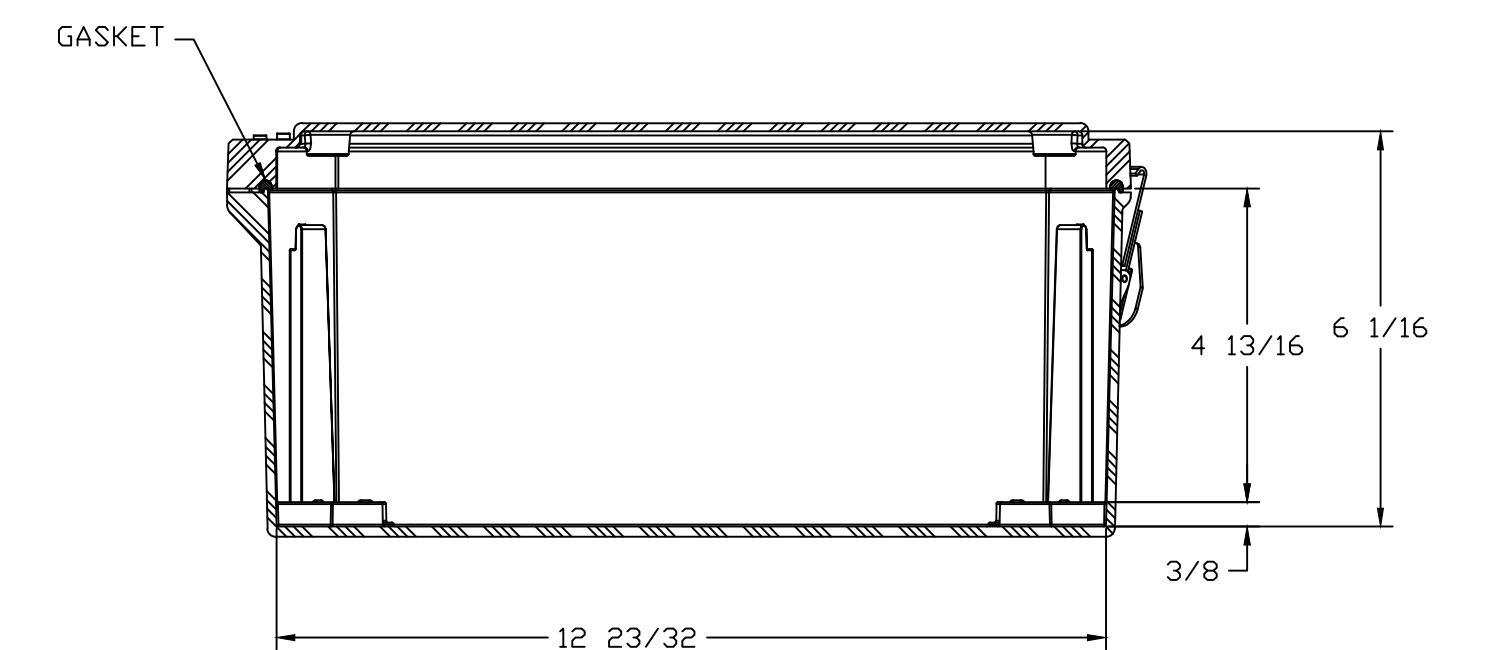
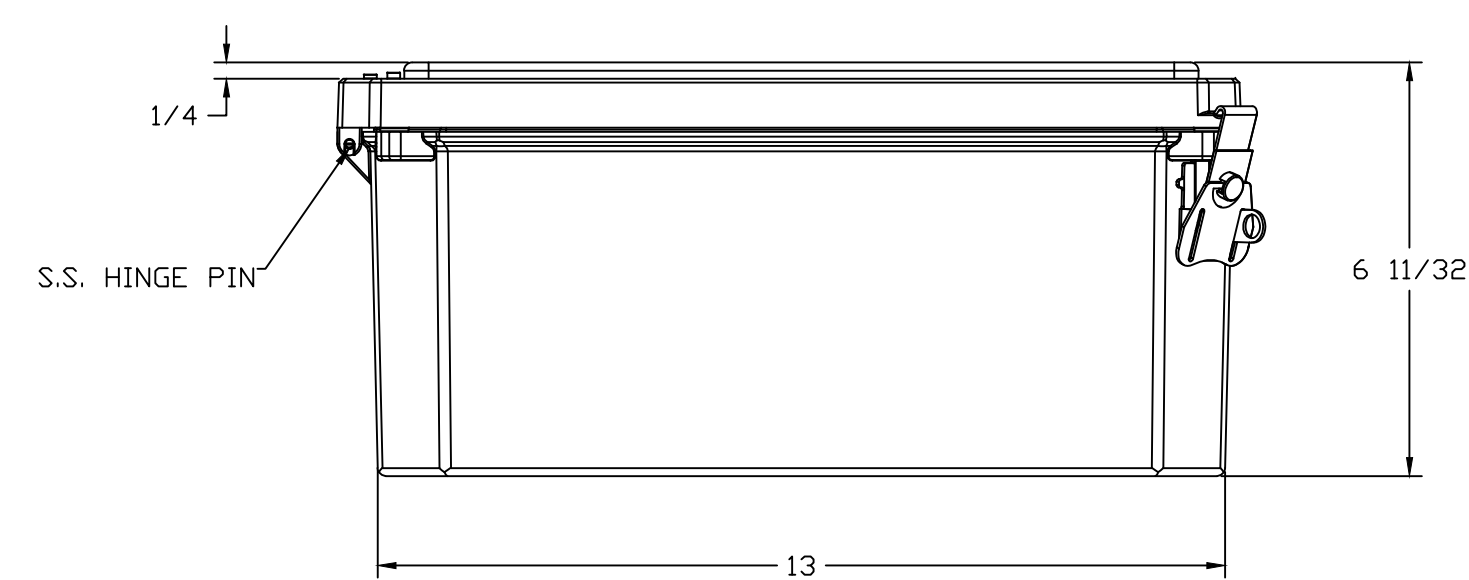


WITH COVER REMOVED



SECTION B-B



SECTION A-A

NOTES:

MATERIAL		F.R. POLYESTER FIBERGLASS		DR. BY DATE		ZJB 4/28/03		NEMA 1, 3, 3S, 4X, 12, 13 IP66		COLOR: GLACIER GRAY RR1013		TOLERANCES UNLESS SPECIFIED		DECIMAL ± .010		FRACTIONAL ± 1/32	
LET.	REVISION RECORD	DATE	BY	CHD.	APD. BY	DATE	CUSTOMER	STAHLIN ENCLOSURES		DIVISION OF ROBOBY INDUSTRIES		BELDING, MICHIGAN		48809		AutoCAD DWG. FILE	
								SCALE		PART NAME		ENCLOSURE		PART NO.		DS141206HLL	
								DO NOT SCALE								DS141206HLL	