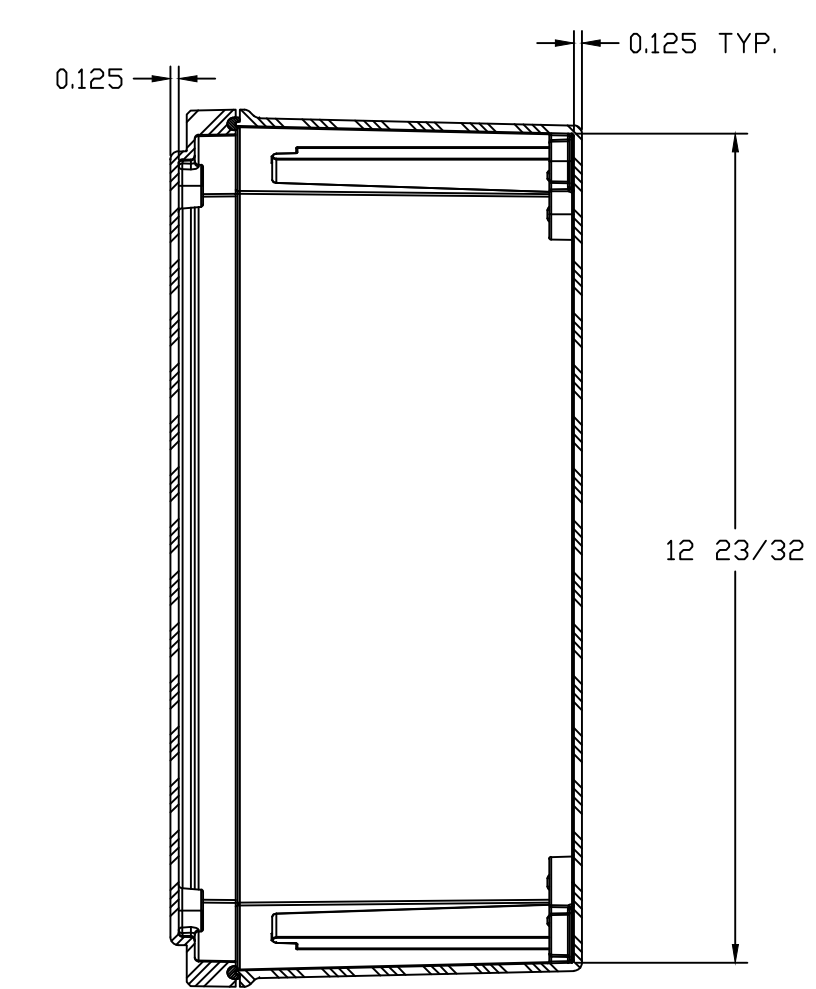
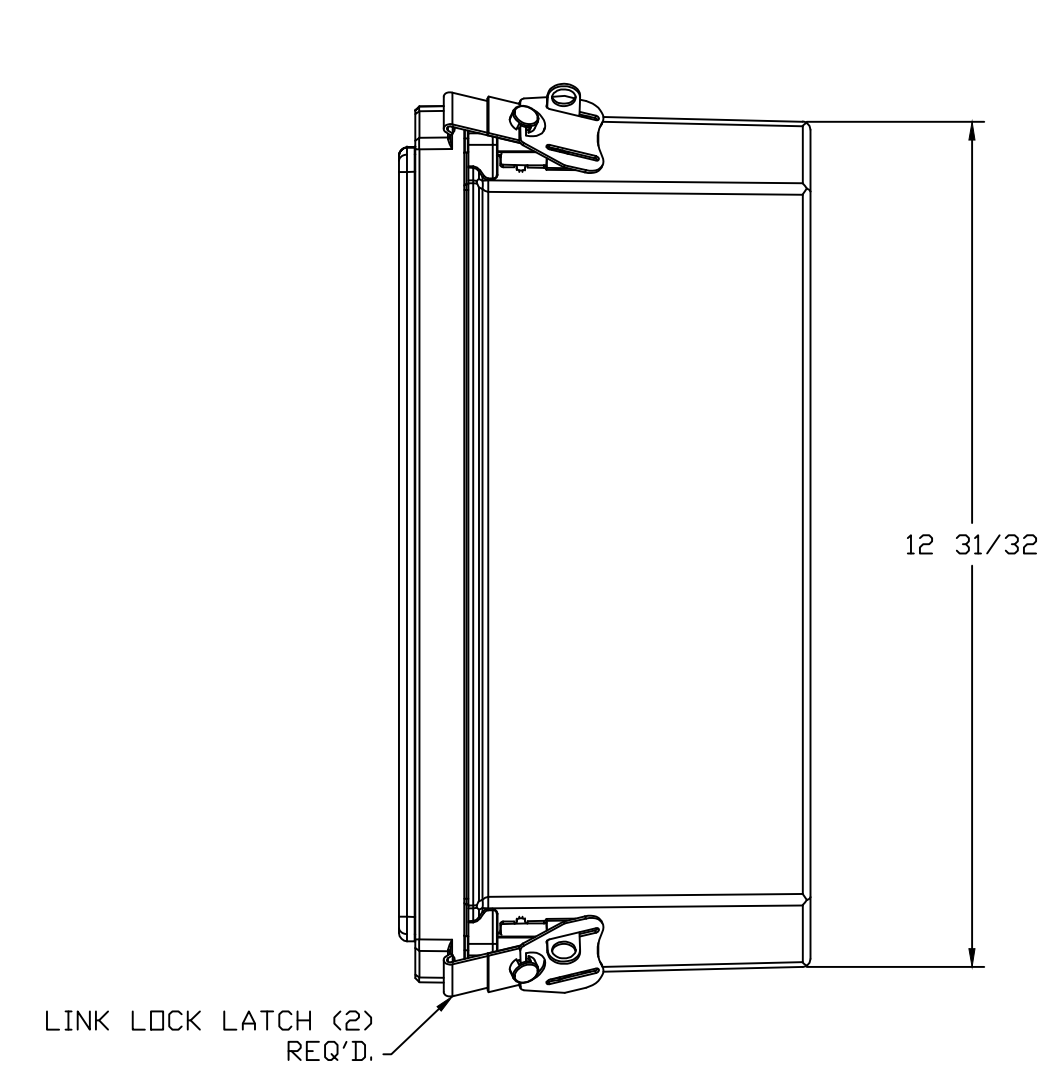
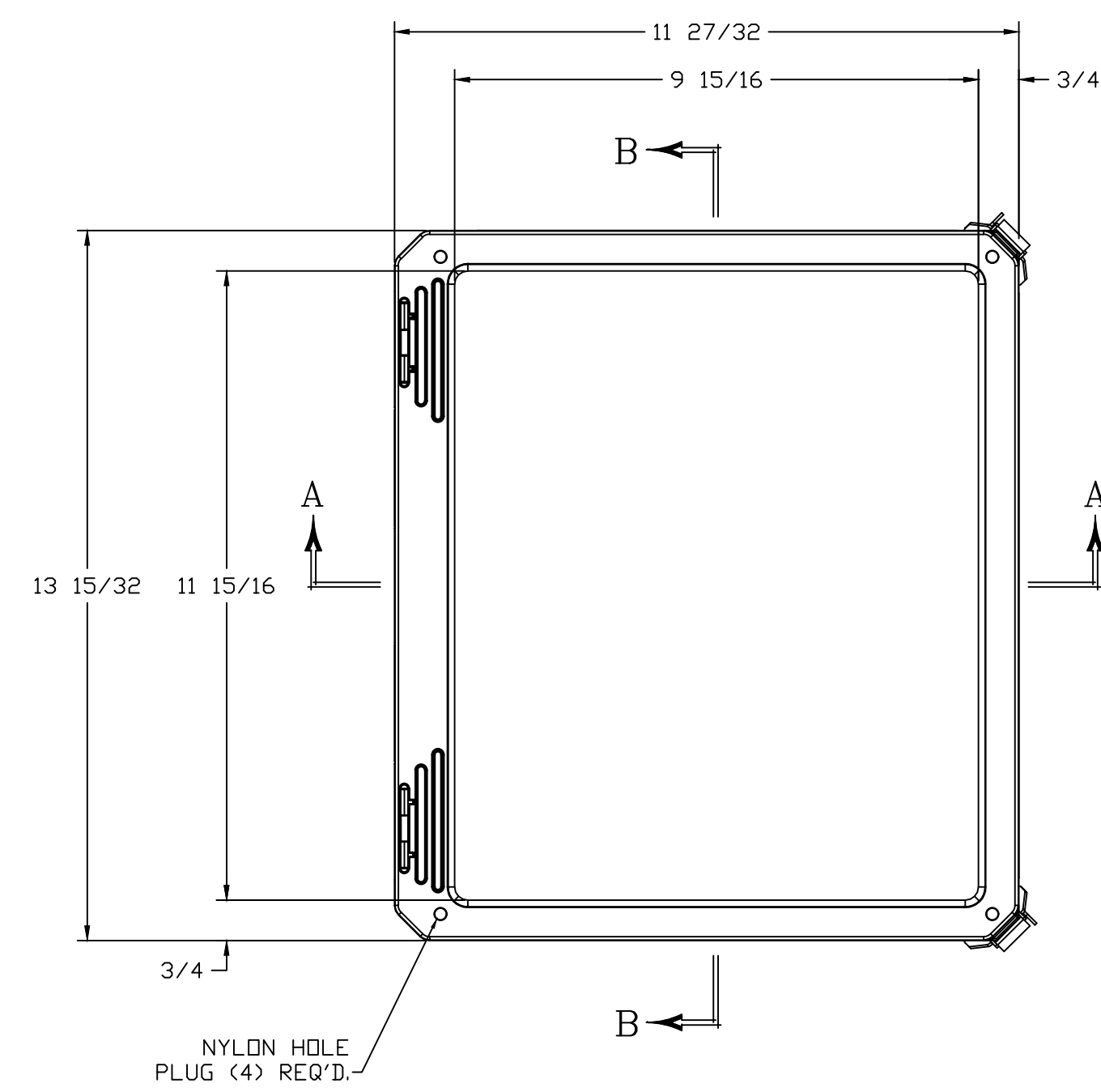
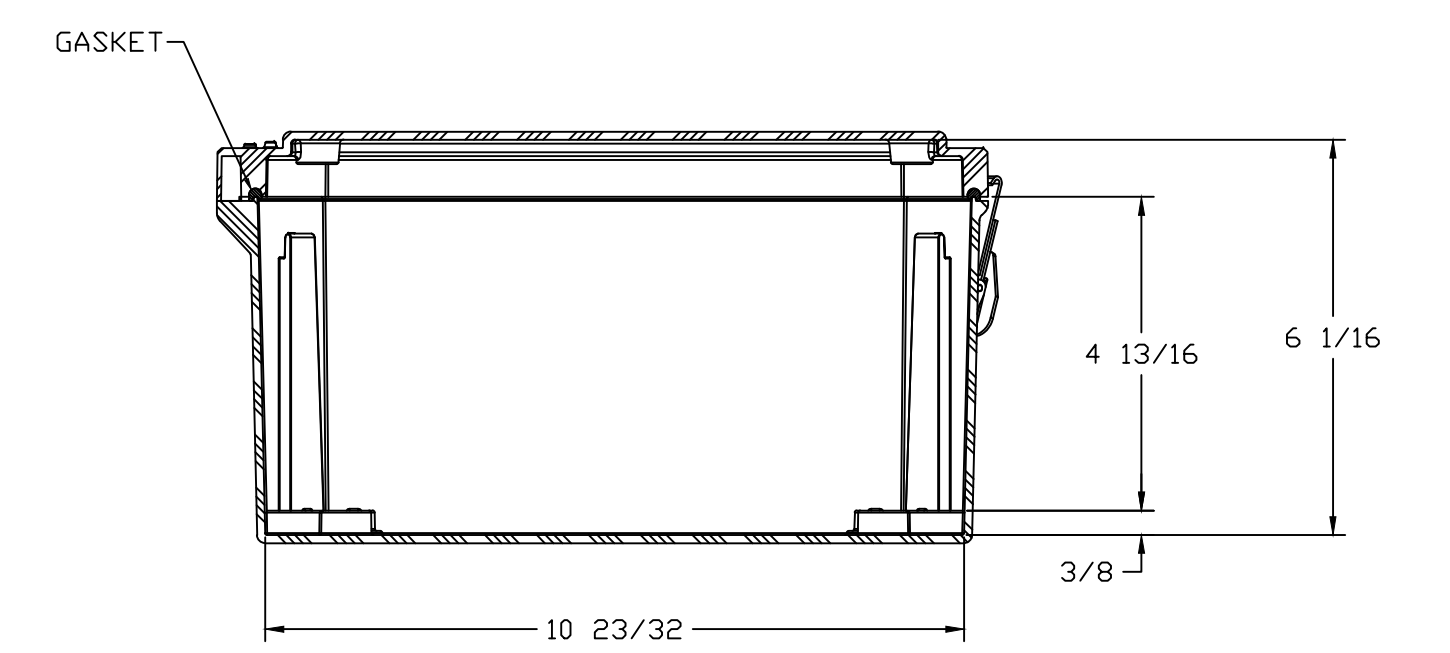
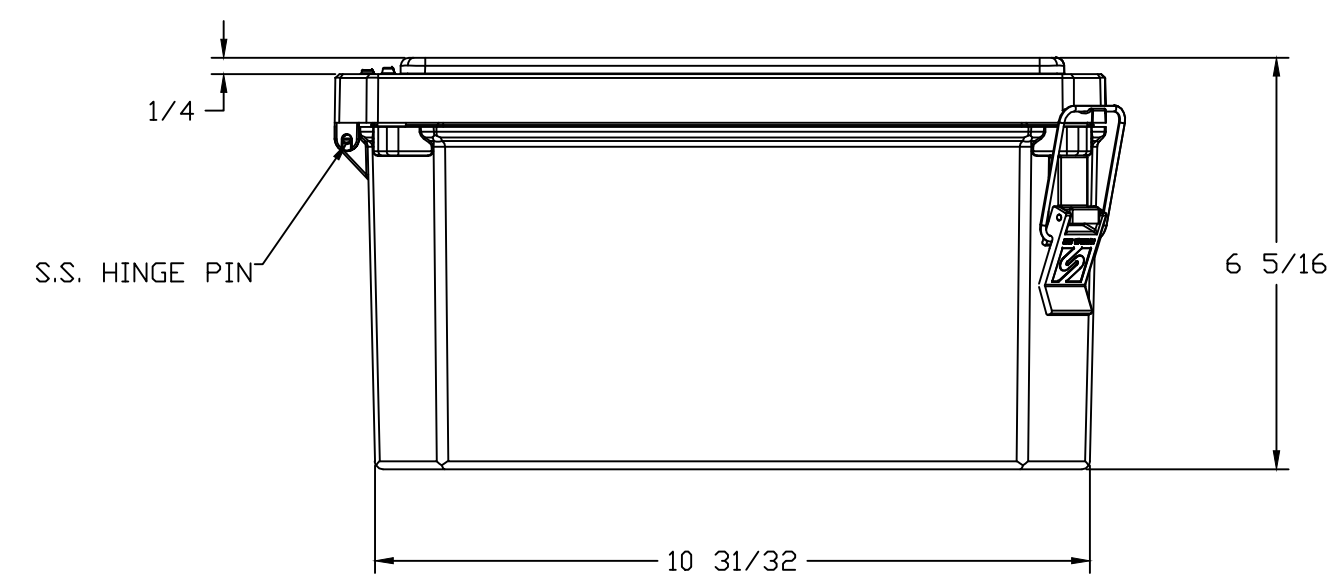


WITH COVER REMOVED



SECTION B-B



SECTION A-A

NOTES:

MATERIAL		F.R. POLYESTER FIBERGLASS		NEMA 1, 3, 3S, 4X, 12, 13 IP66		COLOR: GLACIER GRAY RR1013		TOLERANCES UNLESS SPECIFIED		DECIMAL ± .010		FRACTIONAL ± 1/32	
DR. BY	DATE	DR. BY	DATE	DR. BY	DATE	ZJB 4/2/03		APD. BY		DATE		CUSTOMER	
LET.	REVISION RECORD	DATE	BY	CHD.	CHK. BY	DATE	APD. BY		DATE		SCALE		DO NOT SCALE
STAHLIN ENCLOSURES								DIVISION OF ROBOBY INDUSTRIES		BELDING, MICHIGAN 48809		AutoCAD DWG. FILE DS121006HLL	
ENCLOSURE								PART NAME		PART NO.		DS121006HLL	