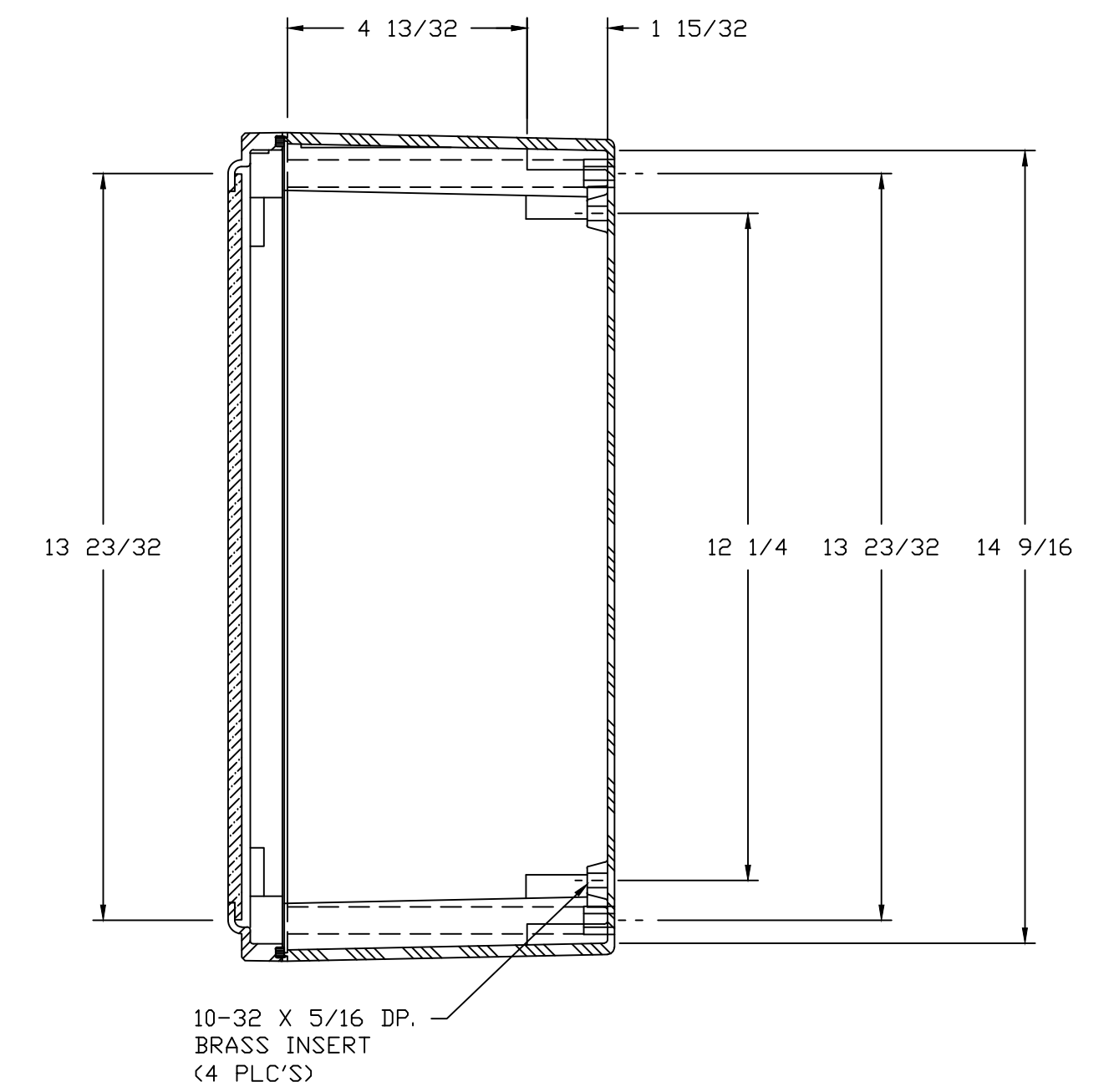
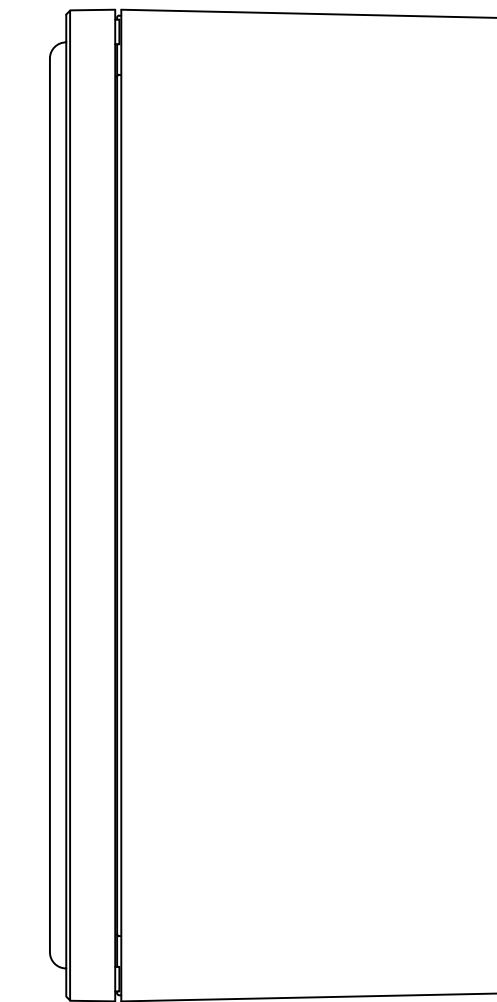
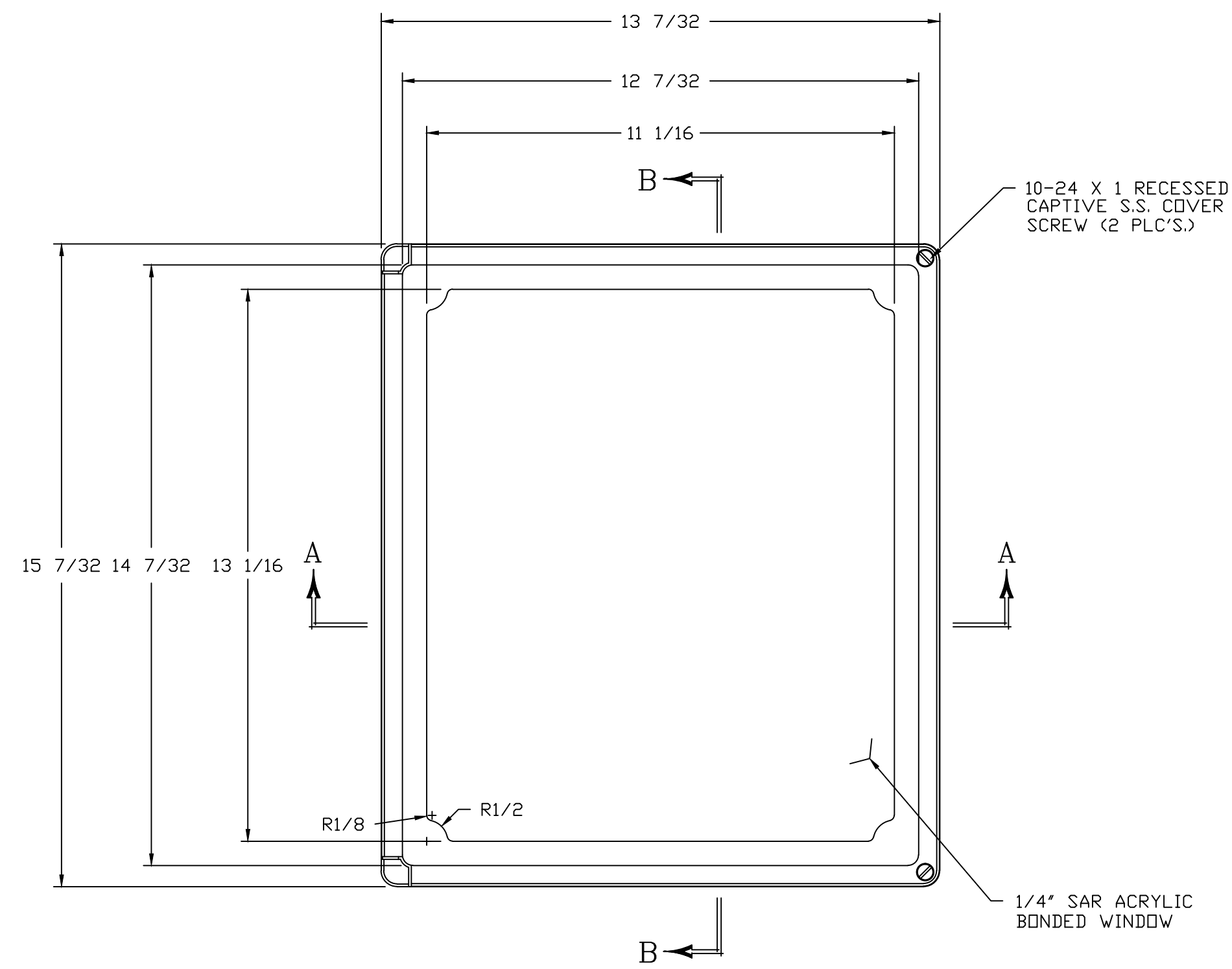
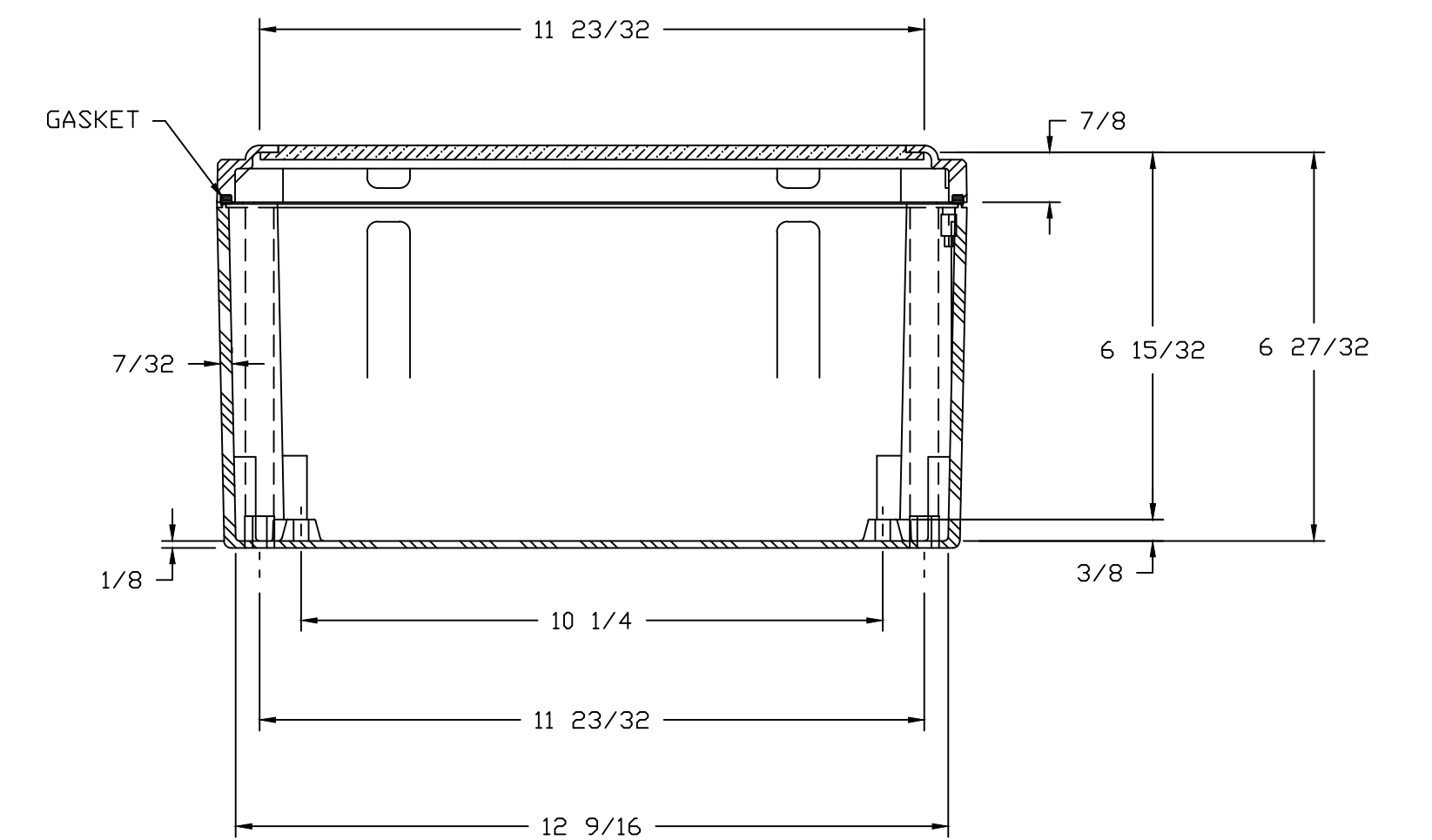
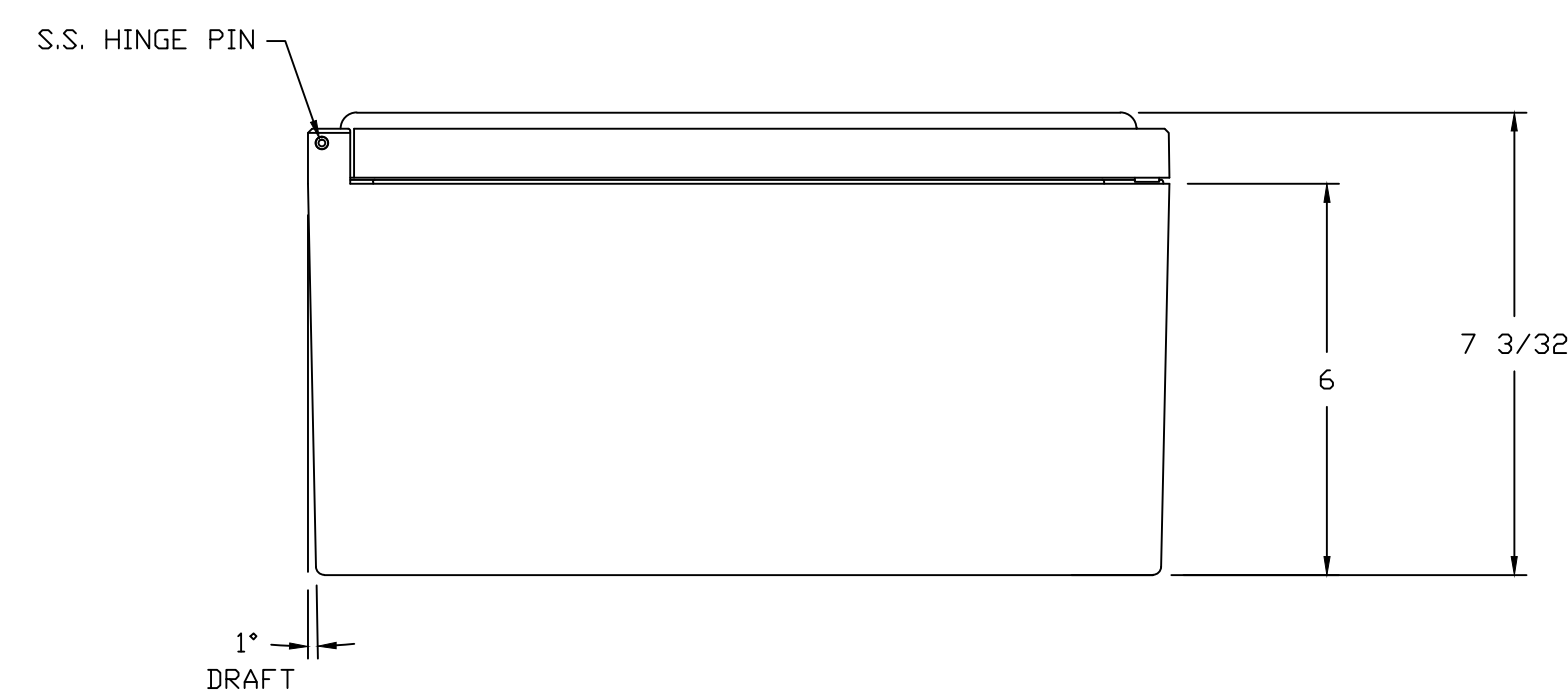


INSIDE VIEW
WITHOUT COVER




SECTION B-B



SECTION A-A

NOTES:

NEMA 4X		TOLERANCES UNLESS SPECIFIED		DECIMAL ± .010	FRACTIONAL ± 1/32
MATERIAL COLOR: GLACIER GRAY RR1013					
FR POLYESTER FIBERGLASS		DR. BY GF	DATE 7/12/96	 STAHLIN ENCLOSURES DIVISION OF ROBROY INDUSTRIES	
LET.	REVISION RECORD	DATE	BY		
					DATE
		APD. BY		DATE	CUSTOMER
		SCALE		PART NAME	PART NO.
		DO NOT SCALE		ENCLOSURE	CLW1513HW

AutoCAD DWG. FILE: CLW1513HW

BELDING, MICHIGAN 48809