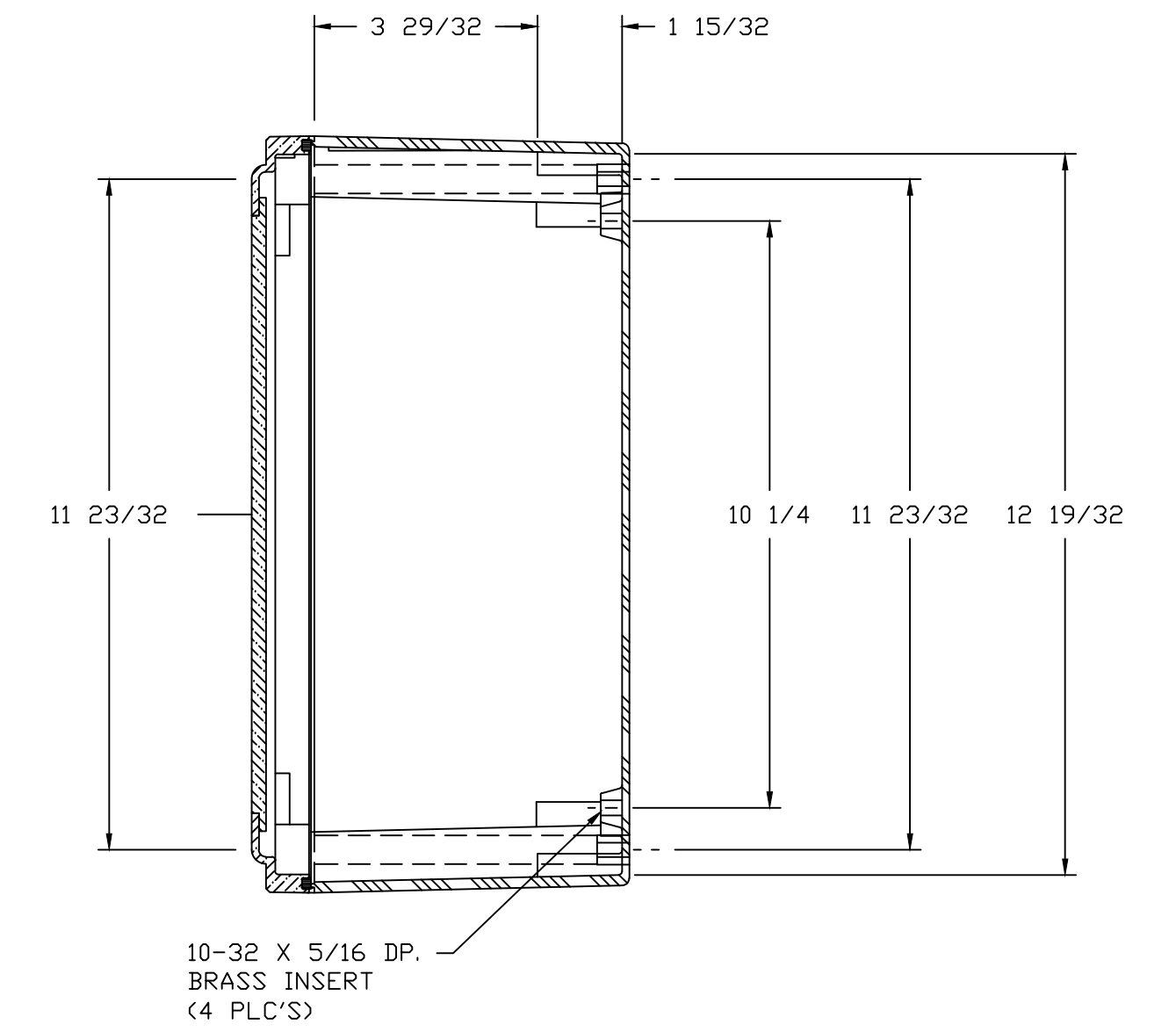
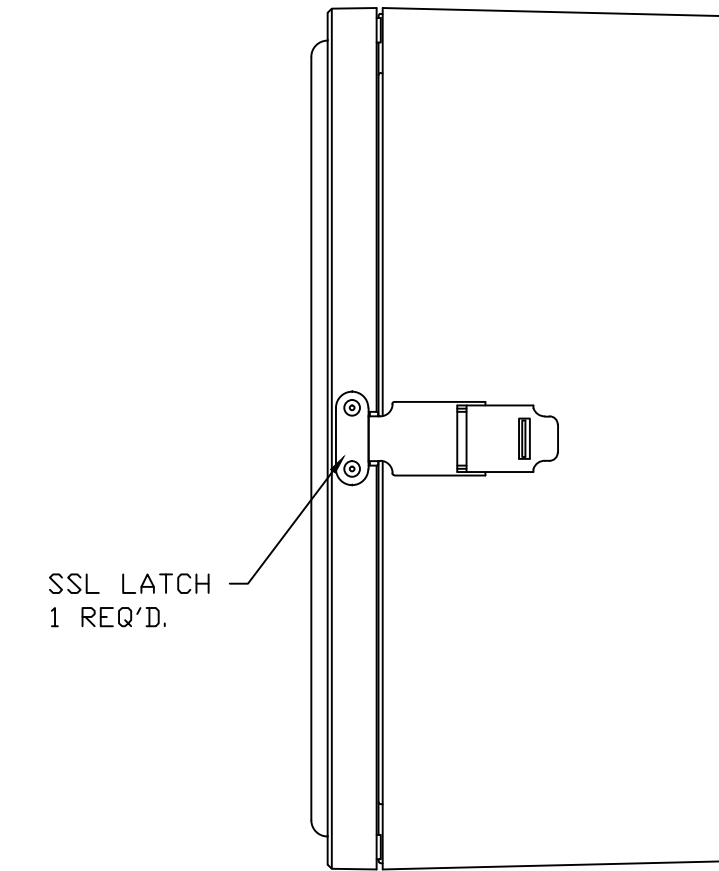
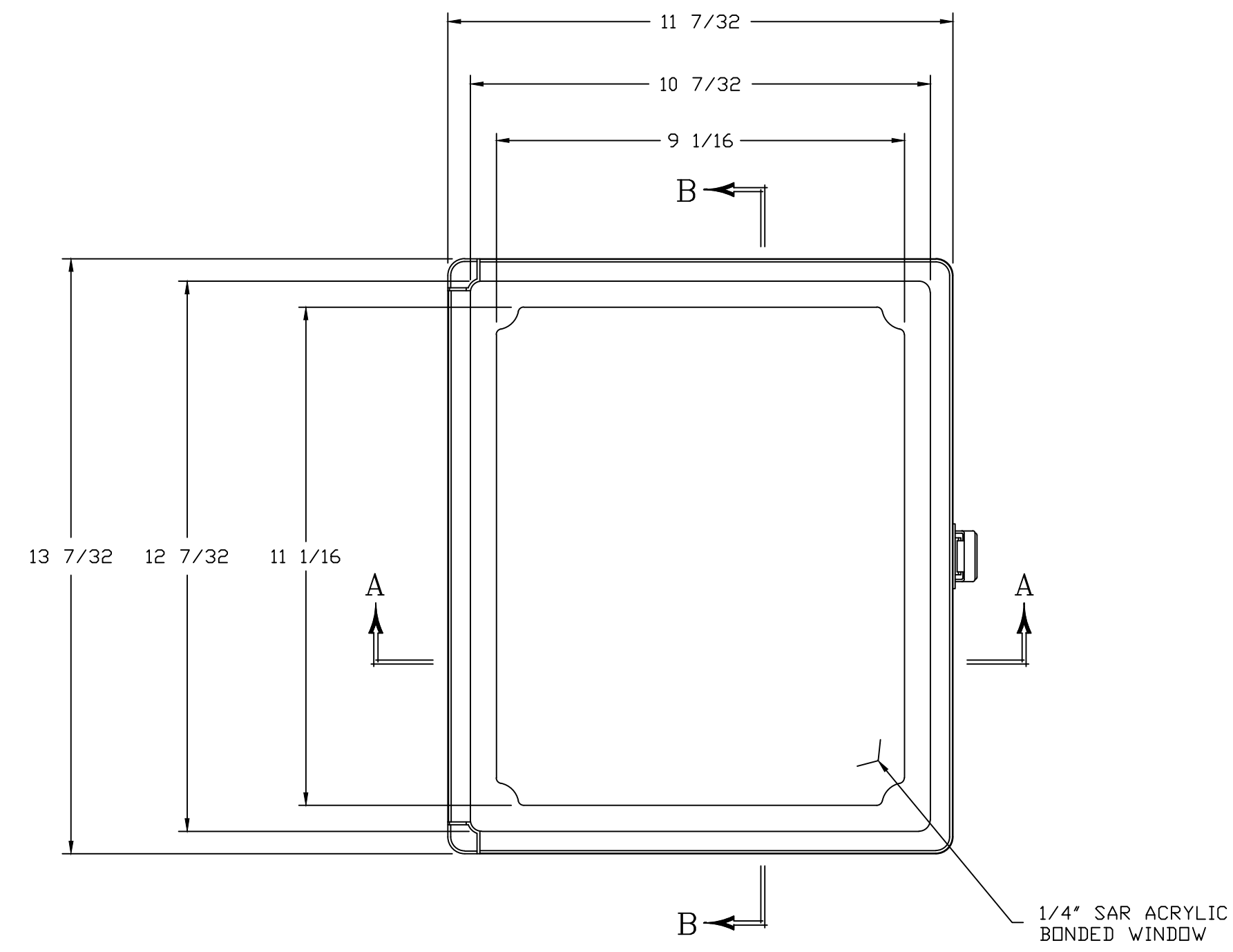
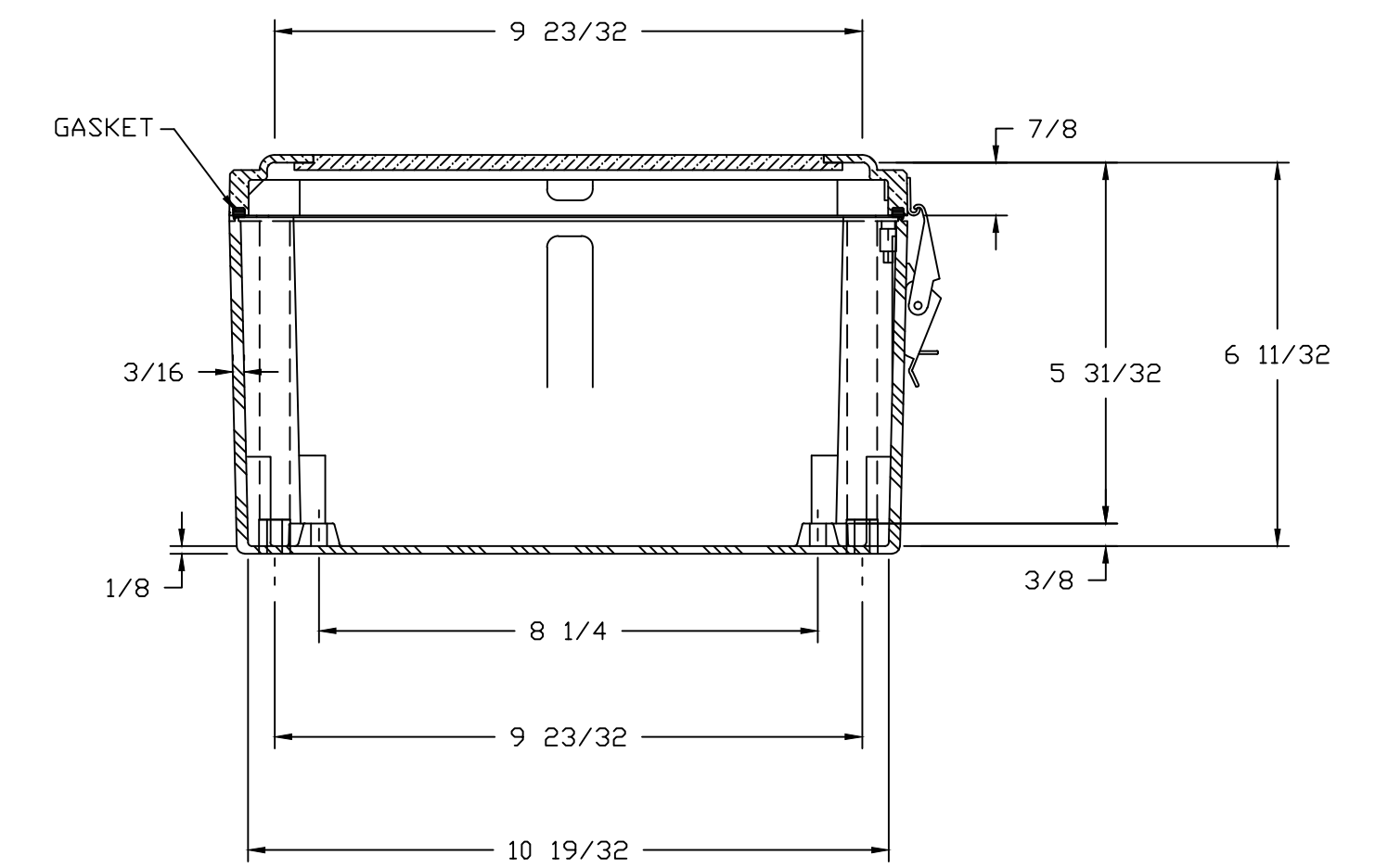
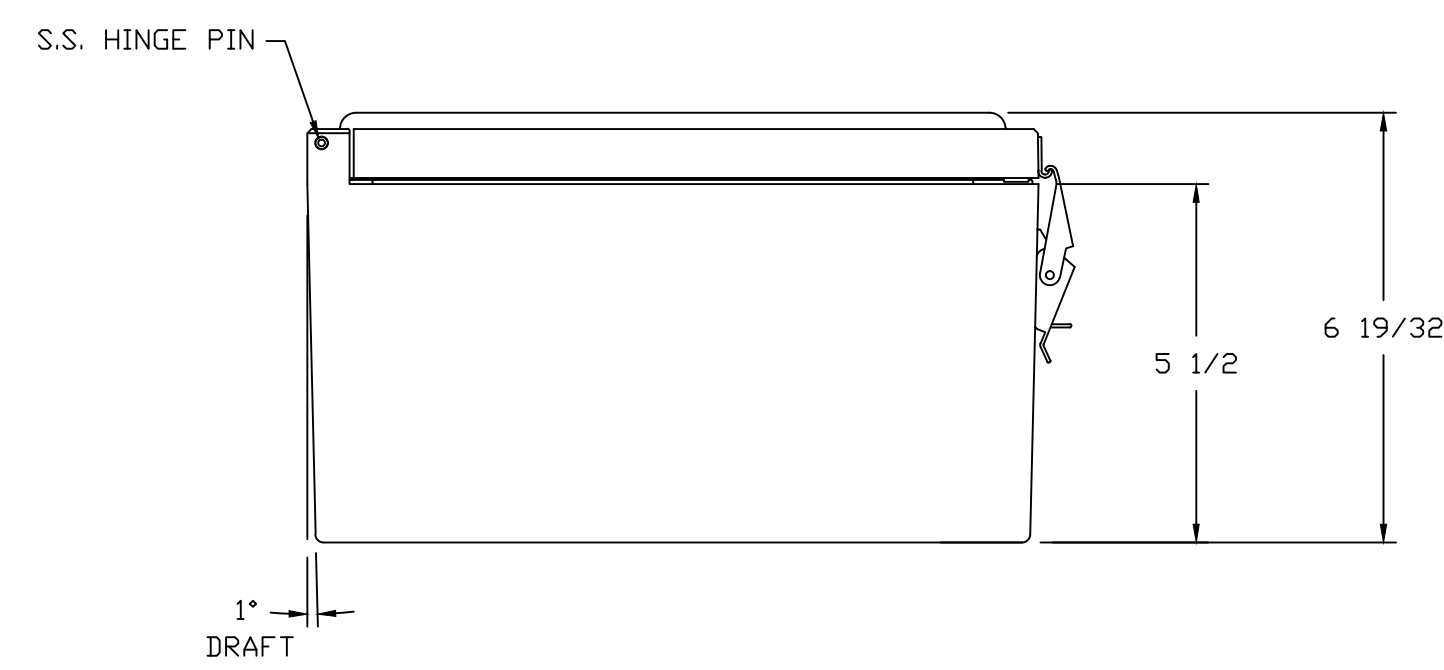


INSIDE VIEW
WITHOUT COVER




SECTION B-B



SECTION A-A

NOTES:

NEMA 4X		TOLERANCES UNLESS SPECIFIED		DECIMAL ± .010	FRACTIONAL ± 1/32
COLD R. GLACIER GRAY RR1013					
MATERIAL	FR POLYESTER FIBERGLASS	DR. BY	DATE		
LET.	REVISION RECORD	GF	7/12/96	BELDING, MICHIGAN 48809	
	DATE	CHK. BY	DATE	AutoCAD DWG. FILE	
	BY	APD. BY	DATE	CLW1311HPL	
	CHD.			SCALE	PART NAME
				DO NOT SCALE	ENCLOSURE
				PART NO.	CLW1311HPL