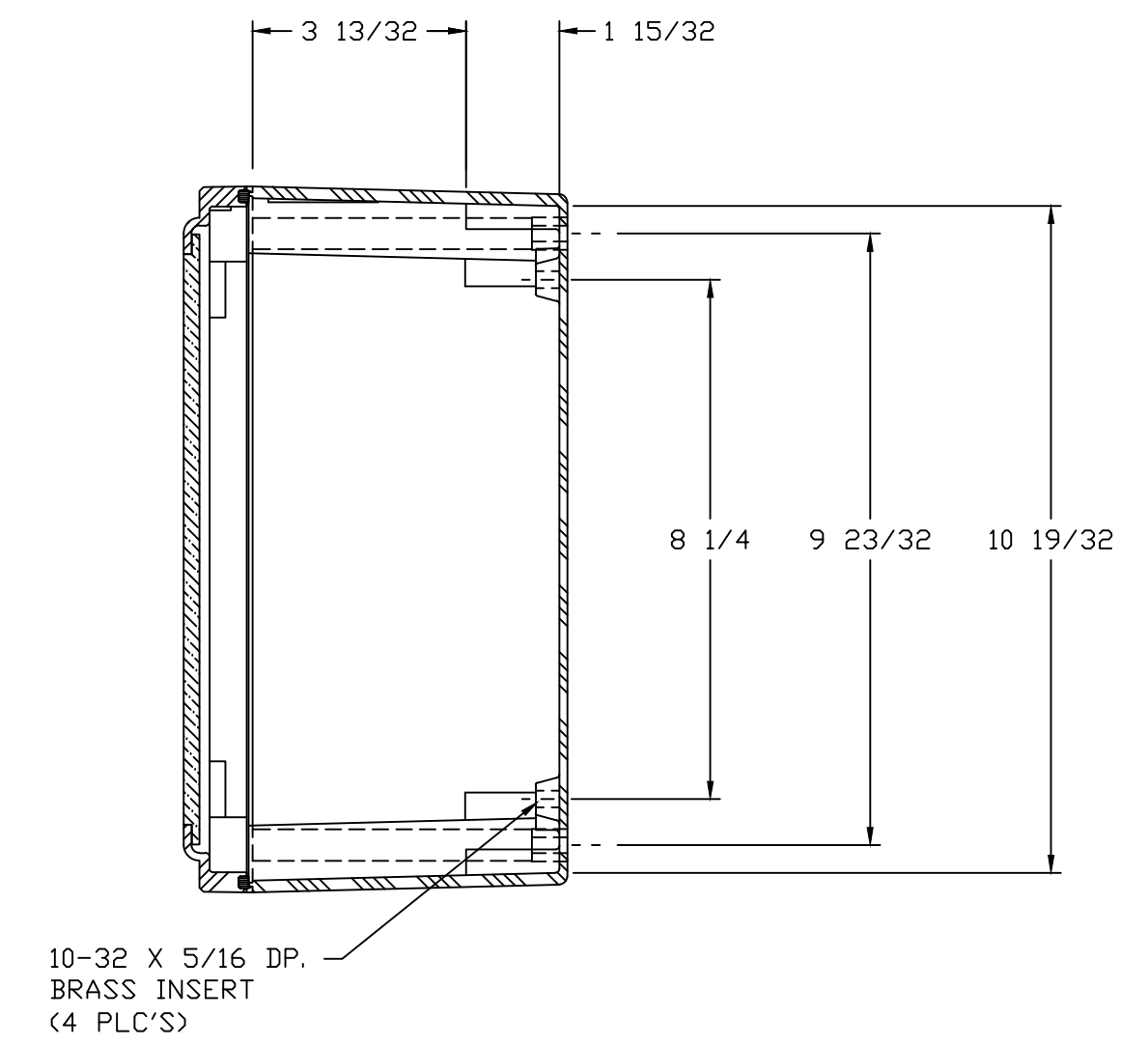
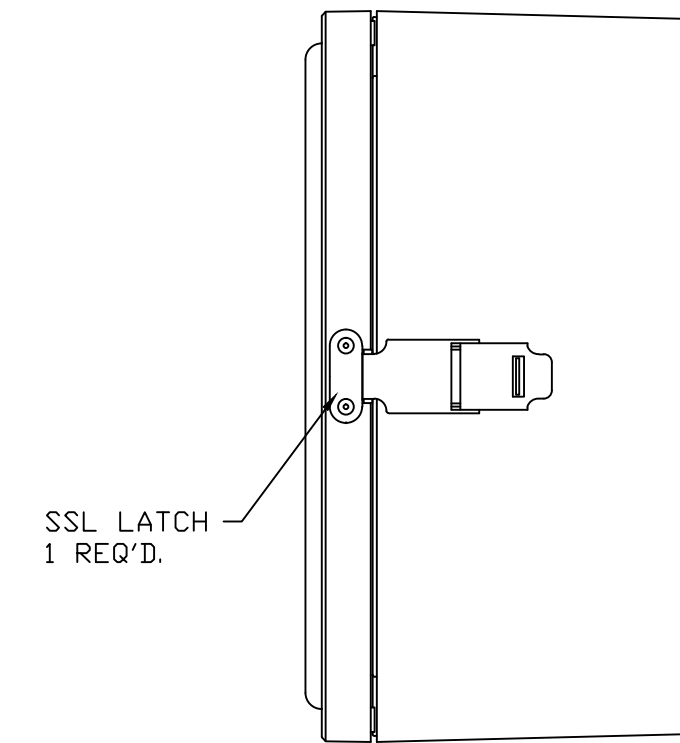
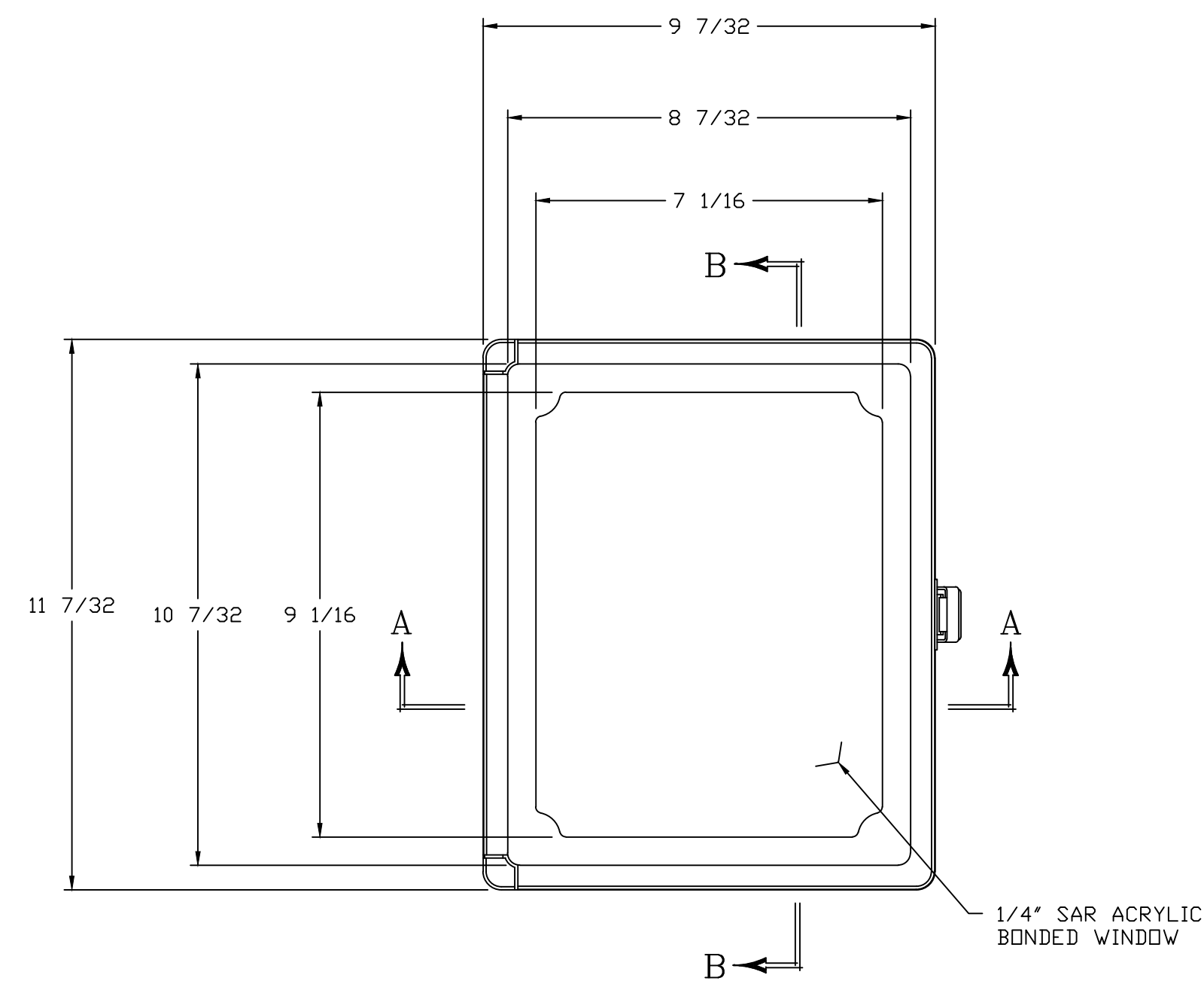
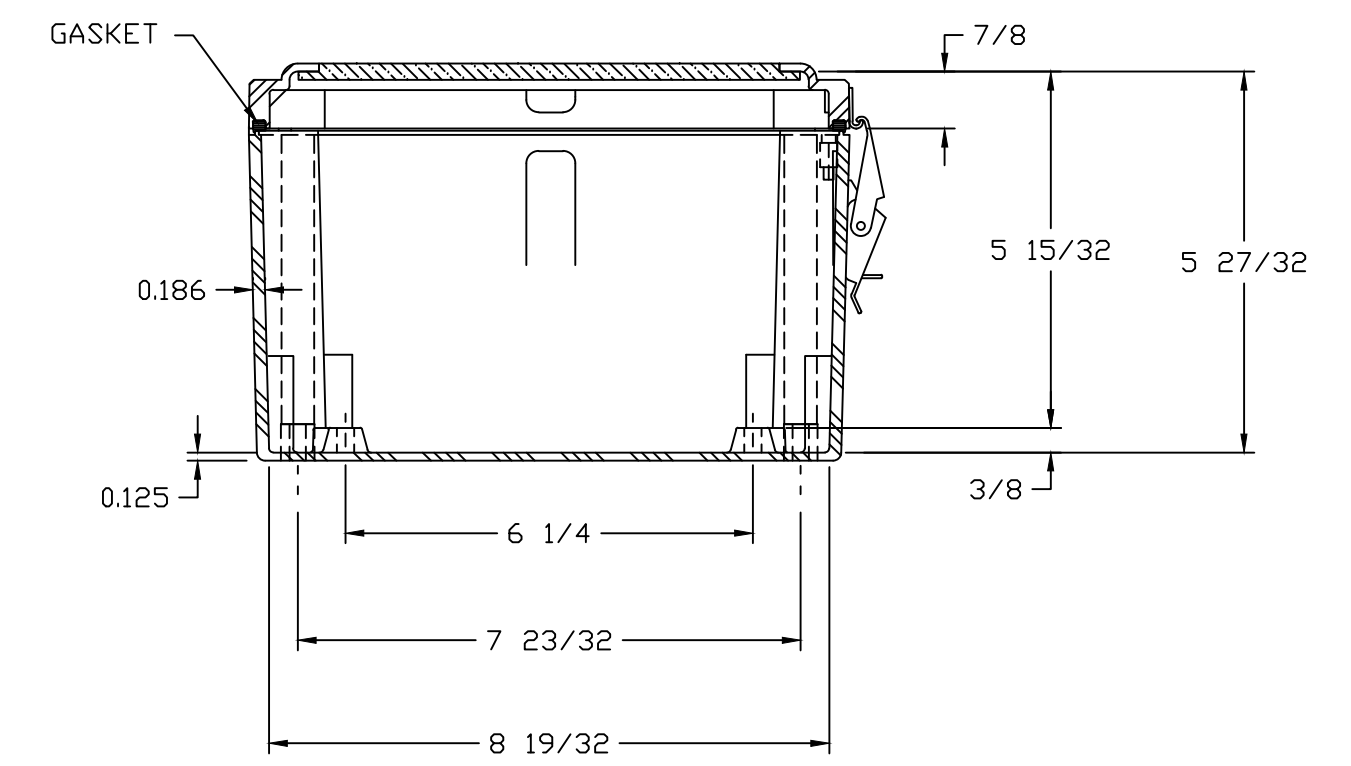
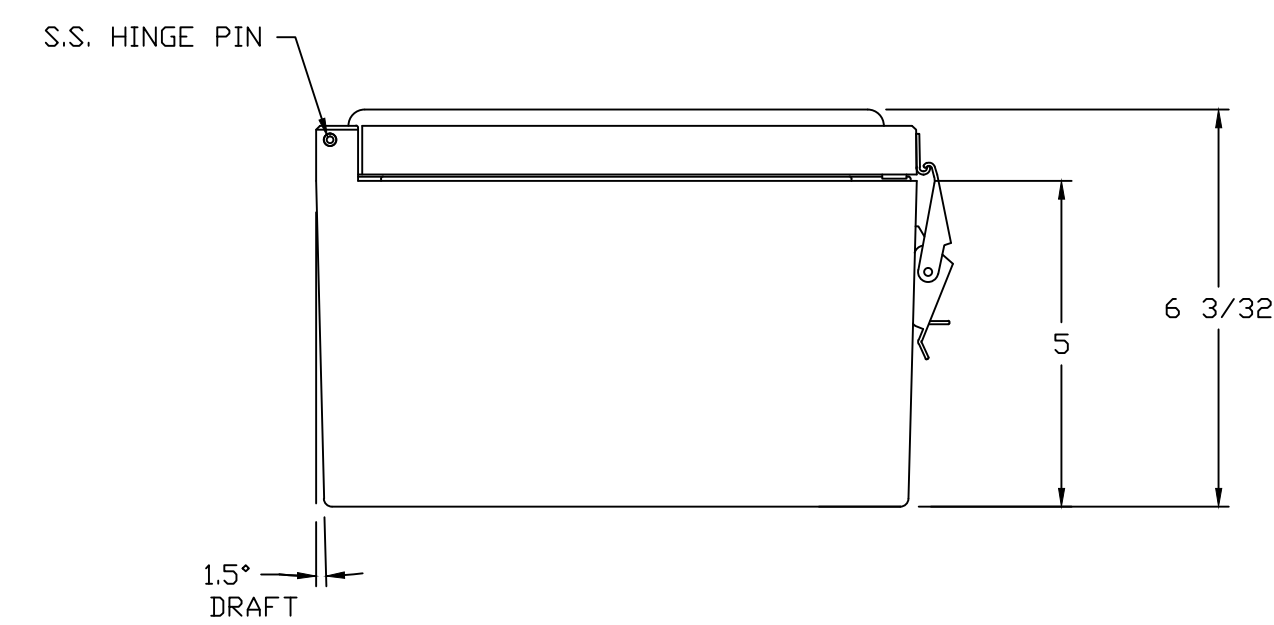


INSIDE VIEW
WITHOUT COVER




SECTION B-B



SECTION A-A

NOTES:

NEMA 4X		TOLERANCES UNLESS SPECIFIED		DECIMAL ± .010	FRACTIONAL ± 1/32
COLOR GLACIER GRAY RR1013					
MATERIAL	F.R. POLYESTER FIBERGLASS	DR. BY	DATE		
LET.	REVISION RECORD	GF	7/12/96	BELDING, MICHIGAN 48809	
	DATE	BY	CHD.	APD. BY	CUSTOMER
				DATE	AutoCAD DWG. FILE
				SCALE	CLW1109HPL
				DO NOT SCALE	PART NAME ENCLOSURE
					PART NO. CLW1109HPL