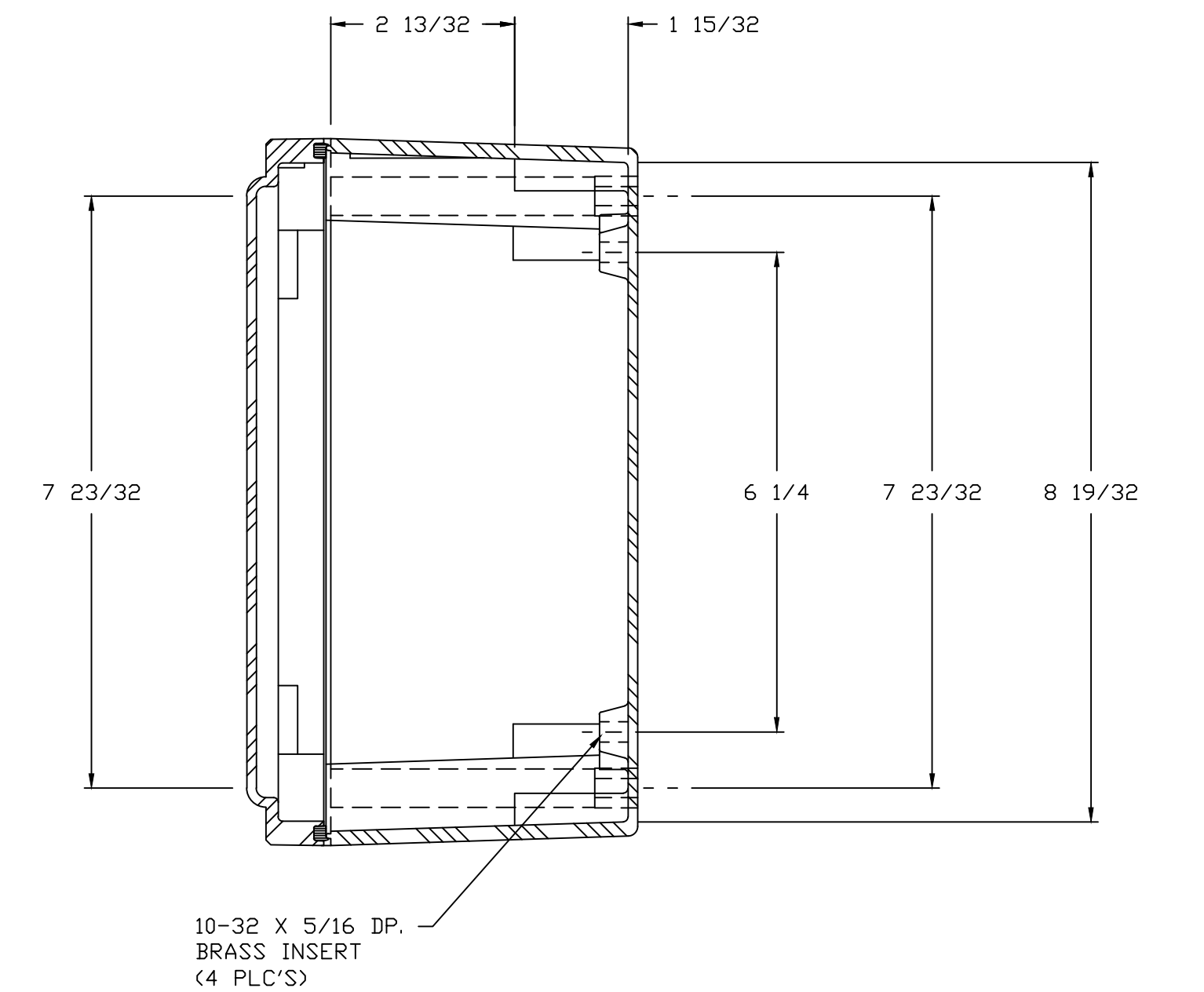
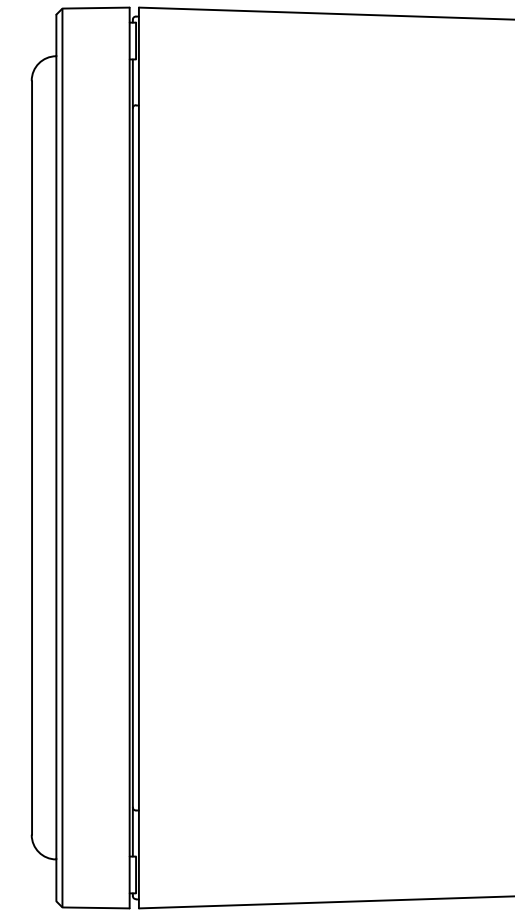
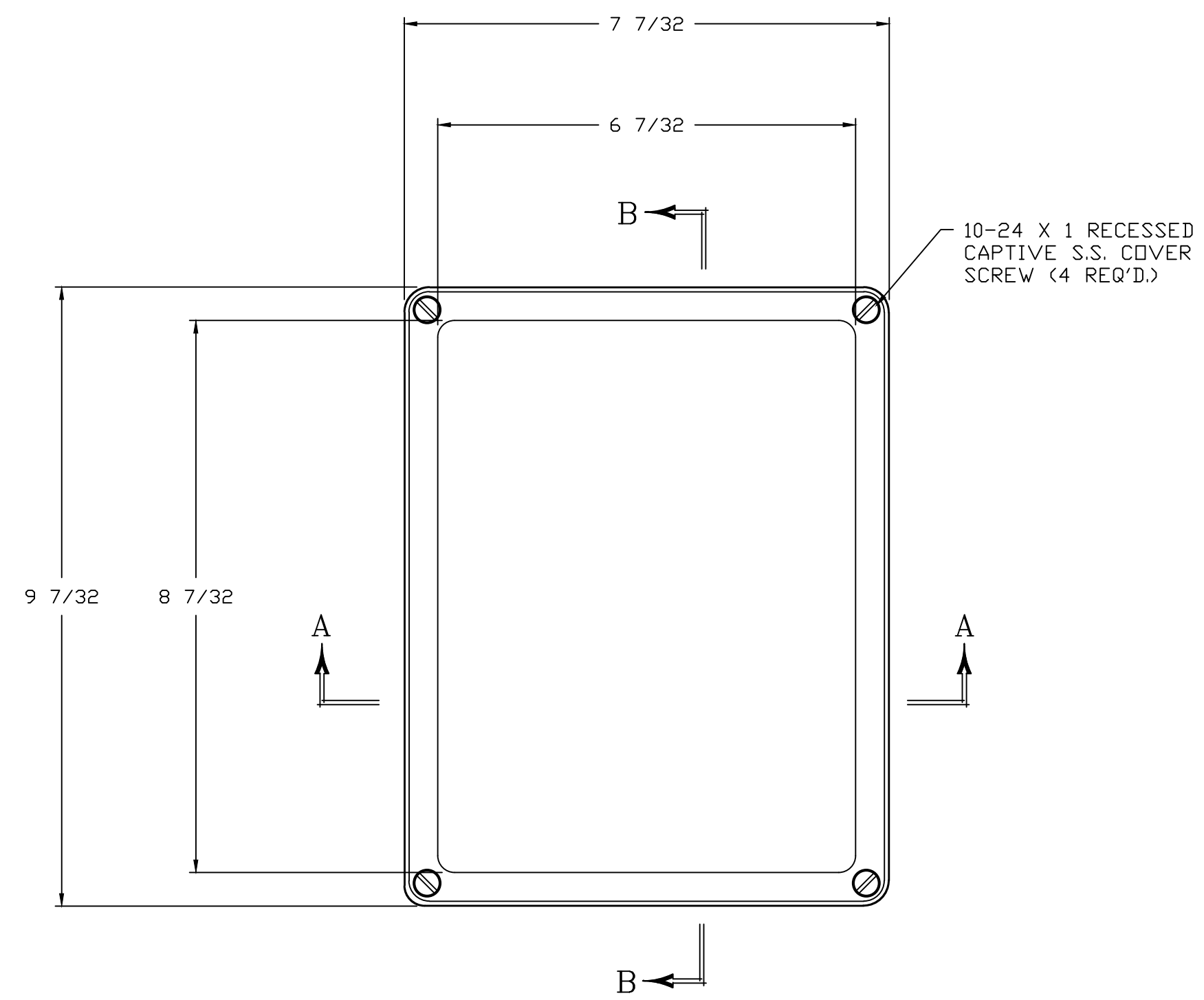
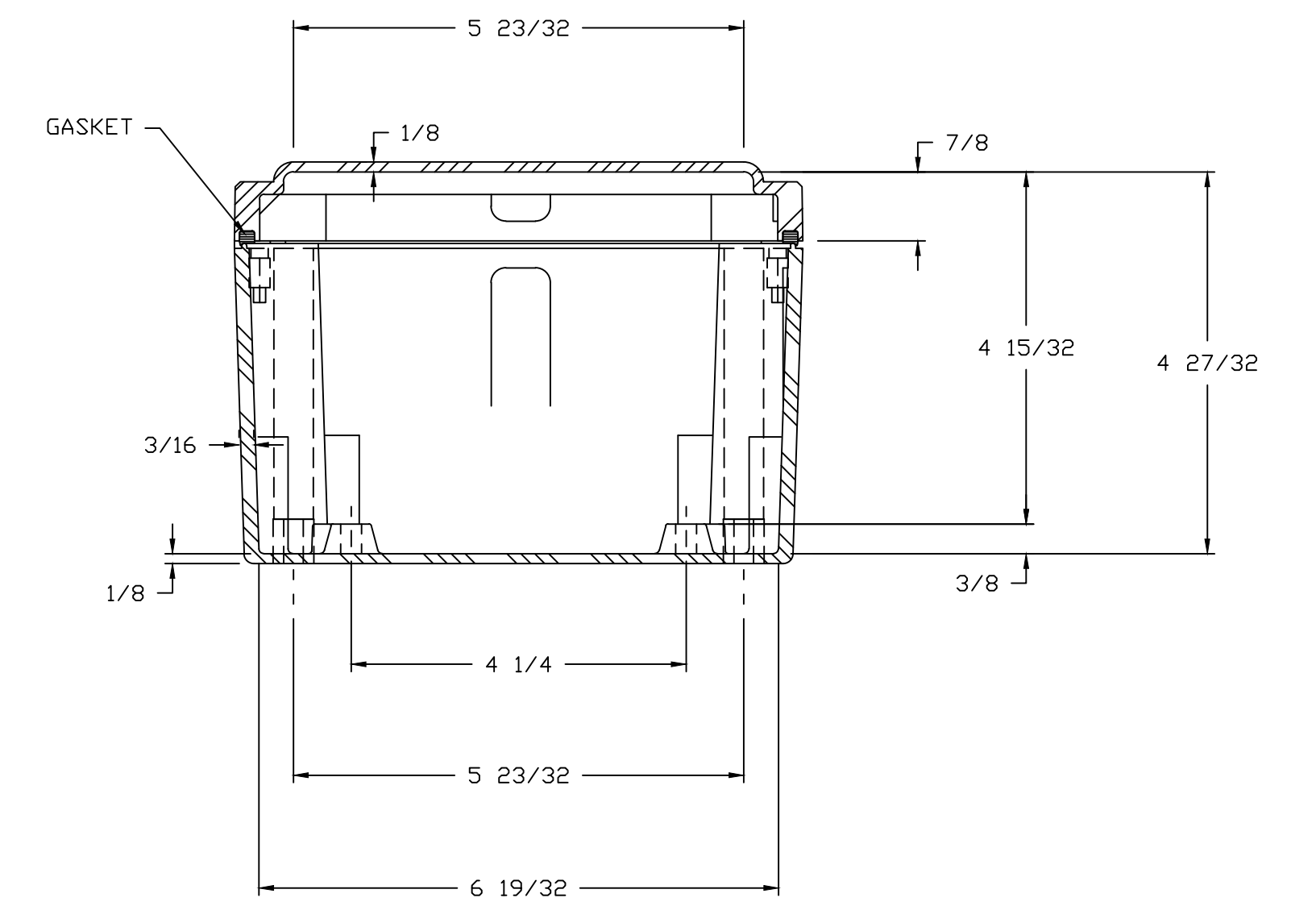
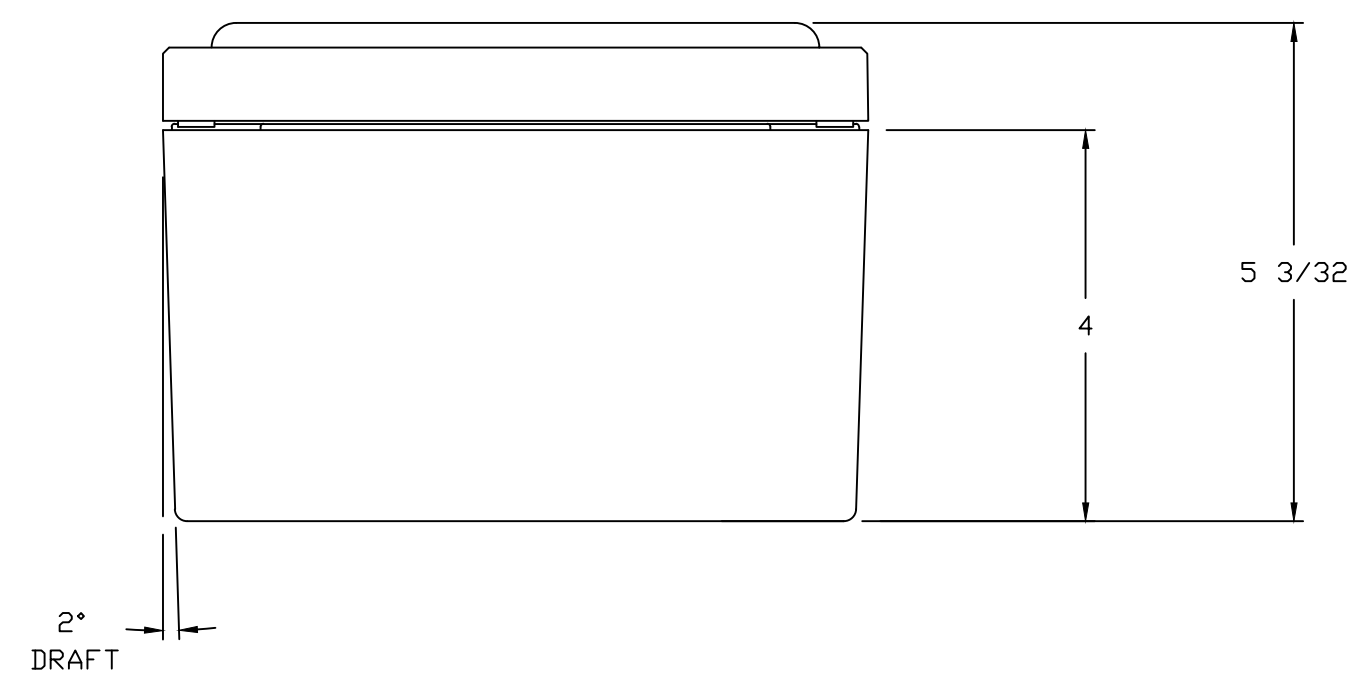


INSIDE VIEW
WITHOUT COVER




SECTION B-B



SECTION A-A

NOTES:

NEMA 4X		TOLERANCES UNLESS SPECIFIED		DECIMAL ± .010	FRACTIONAL ± 1/32				
COLOR GLACIER GRAY RR1013		DR. BY GF	DATE 7/12/96	 BELDING, MICHIGAN 48809 AutoCAD DWG. FILE CL907W					
MATERIAL FR POLYESTER FIBERGLASS		CHK. BY	DATE						
LET.	REVISION RECORD	DATE	BY	CHD.	APD. BY	DATE	CUSTOMER	PART NO.	CL907W
					SCALE DO NOT SCALE		PART NAME ENCLOSURE	PART NO.	CL907W