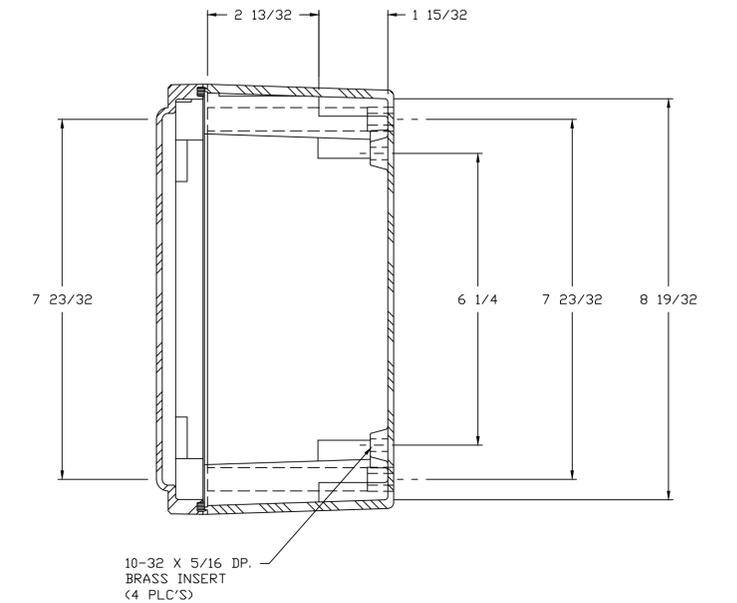
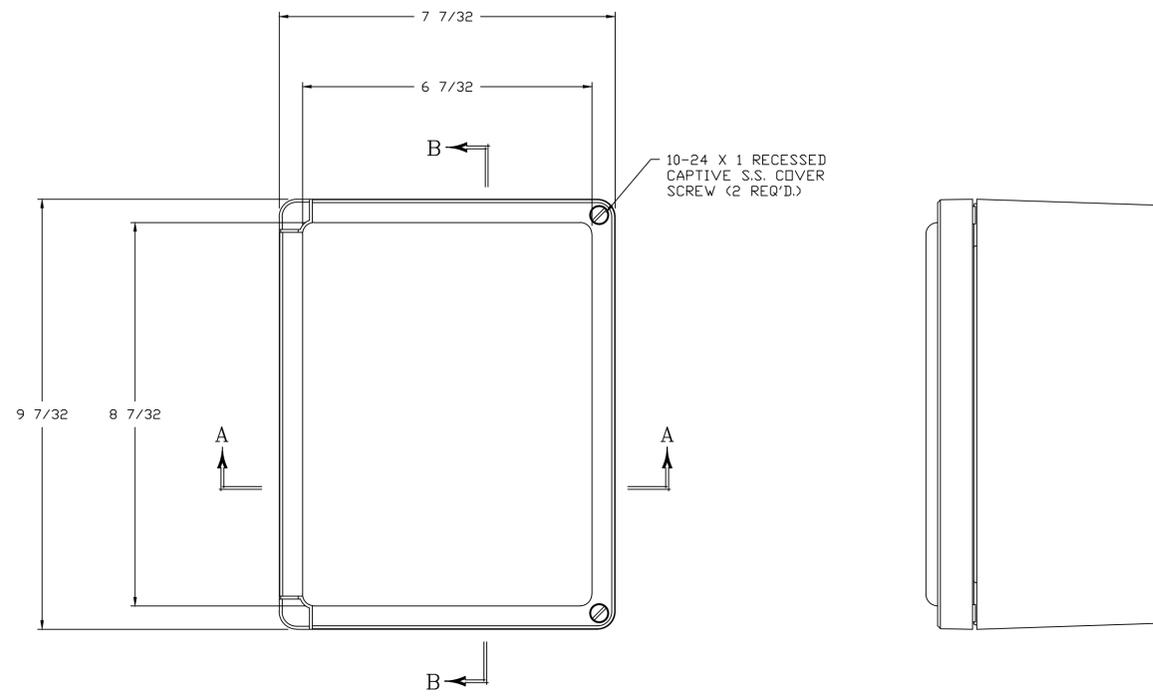
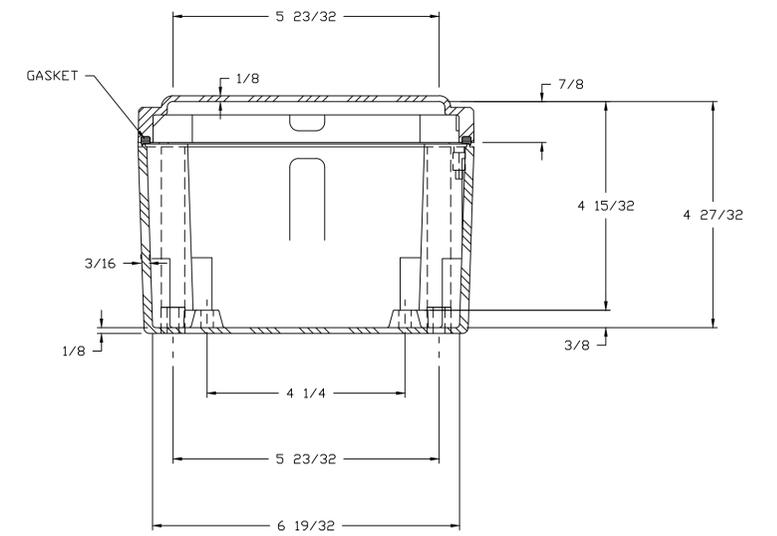
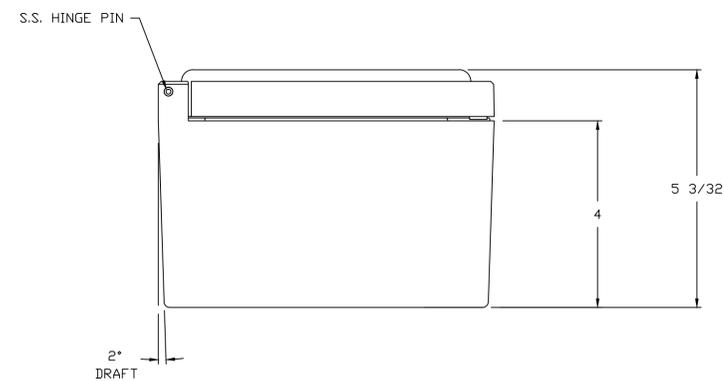


**INSIDE VIEW**  
WITHOUT COVER



**SECTION B-B**



**SECTION A-A**

NOTES:

|                                  |                 |                             |              |  |                   |      |          |                   |
|----------------------------------|-----------------|-----------------------------|--------------|--|-------------------|------|----------|-------------------|
| NEMA 4X                          |                 | TOLERANCES UNLESS SPECIFIED |              | DECIMAL ± .010   | FRACTIONAL ± 1/32 |      |          |                   |
| COLOR GLACIER GRAY RR1013        |                 | DR. BY GF                   | DATE 7/12/96 | <br>BELDING, MICHIGAN 48809 |                   |      |          |                   |
| MATERIAL FR POLYESTER FIBERGLASS |                 | CHK. BY                     | DATE         |  |                   |      |          |                   |
| LET.                             | REVISION RECORD | DATE                        | BY           | CHD.   | APD. BY           | DATE | CUSTOMER | AutoCAD DWG. FILE |
|                                  |                 |                             |              |  |                   |      |          | CL907HW           |
| SCALE DO NOT SCALE               |                 | PART NAME ENCLLOSURE        |              | PART NO. CL907HW   |                   |      |          |                   |