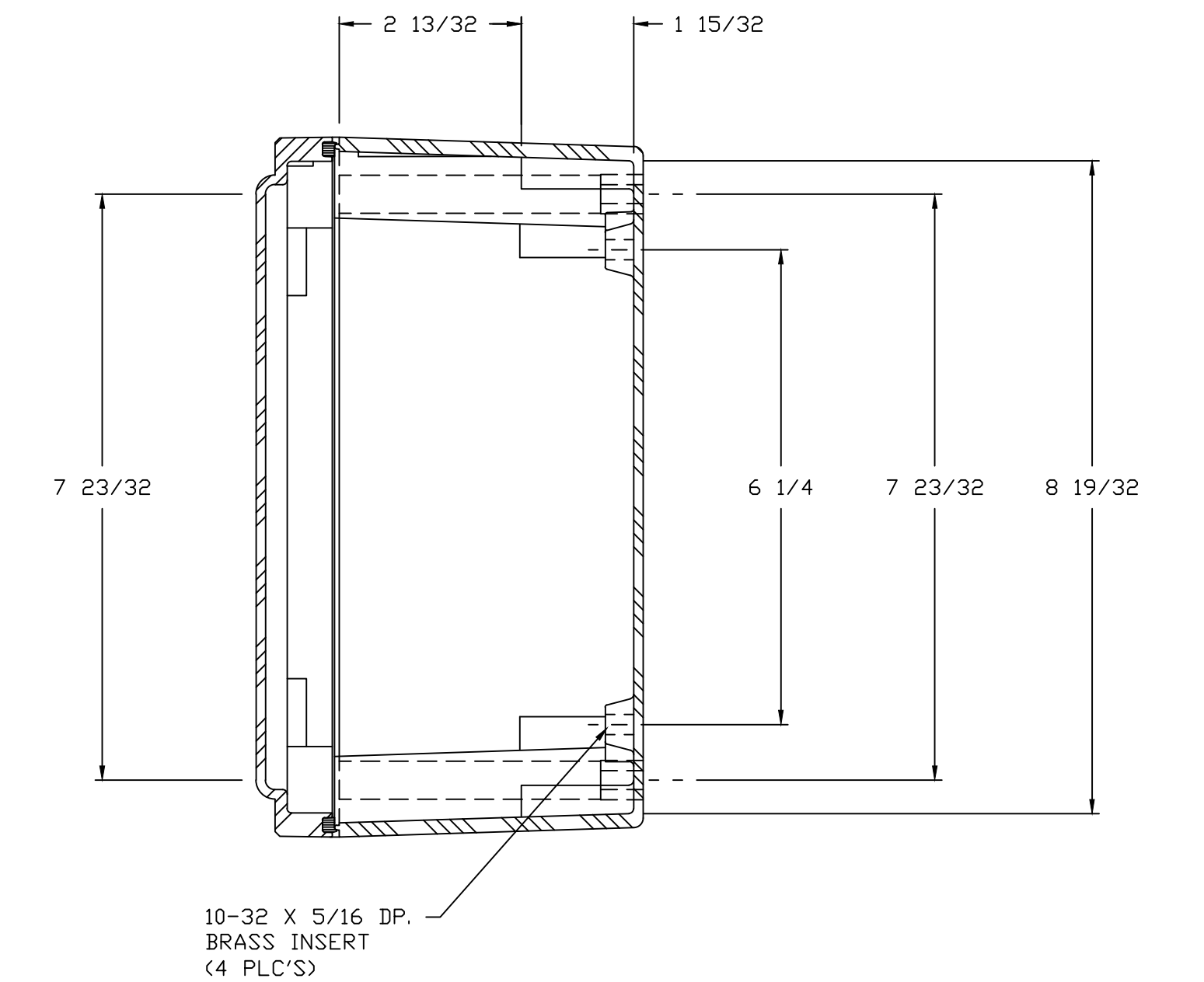
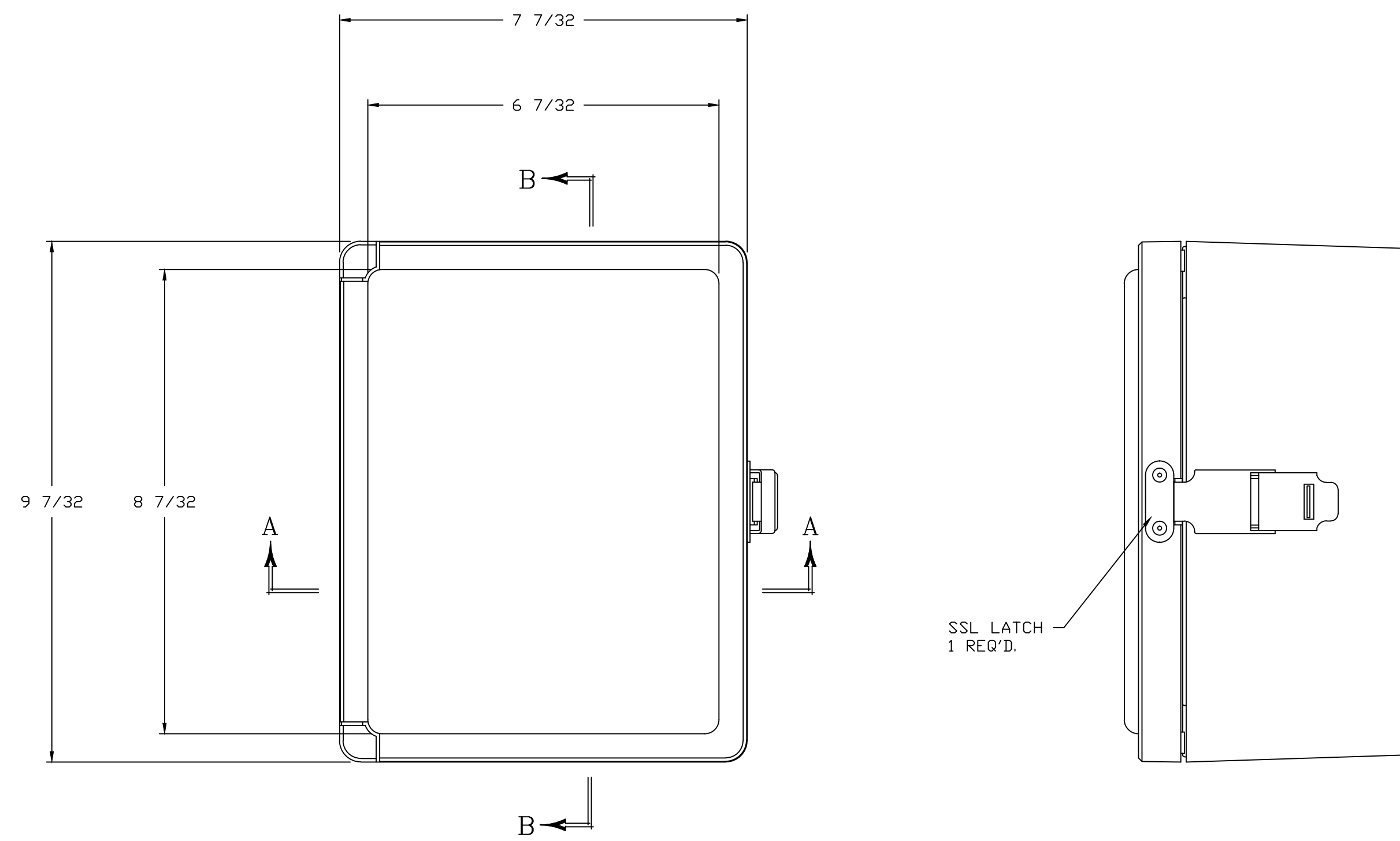
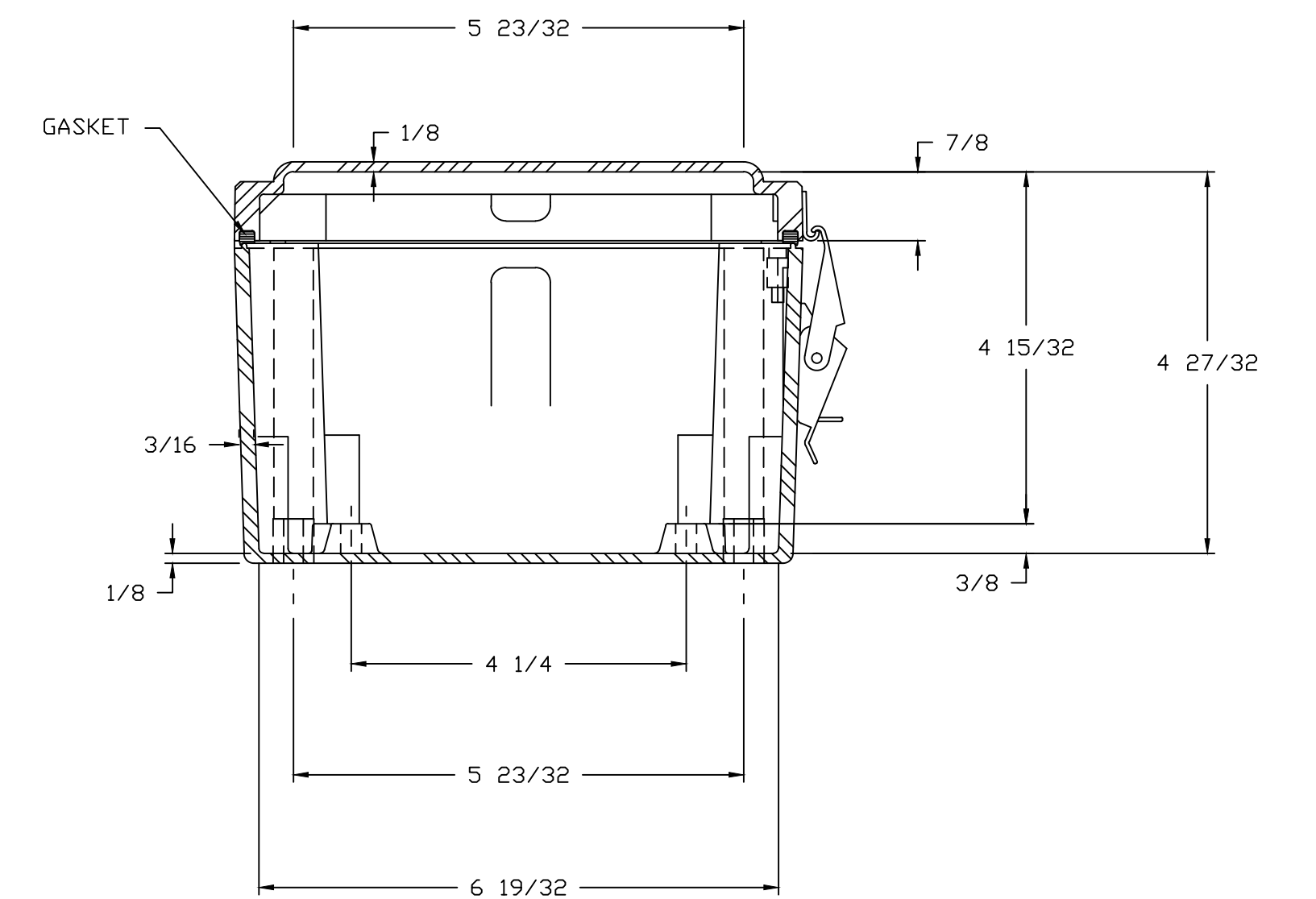
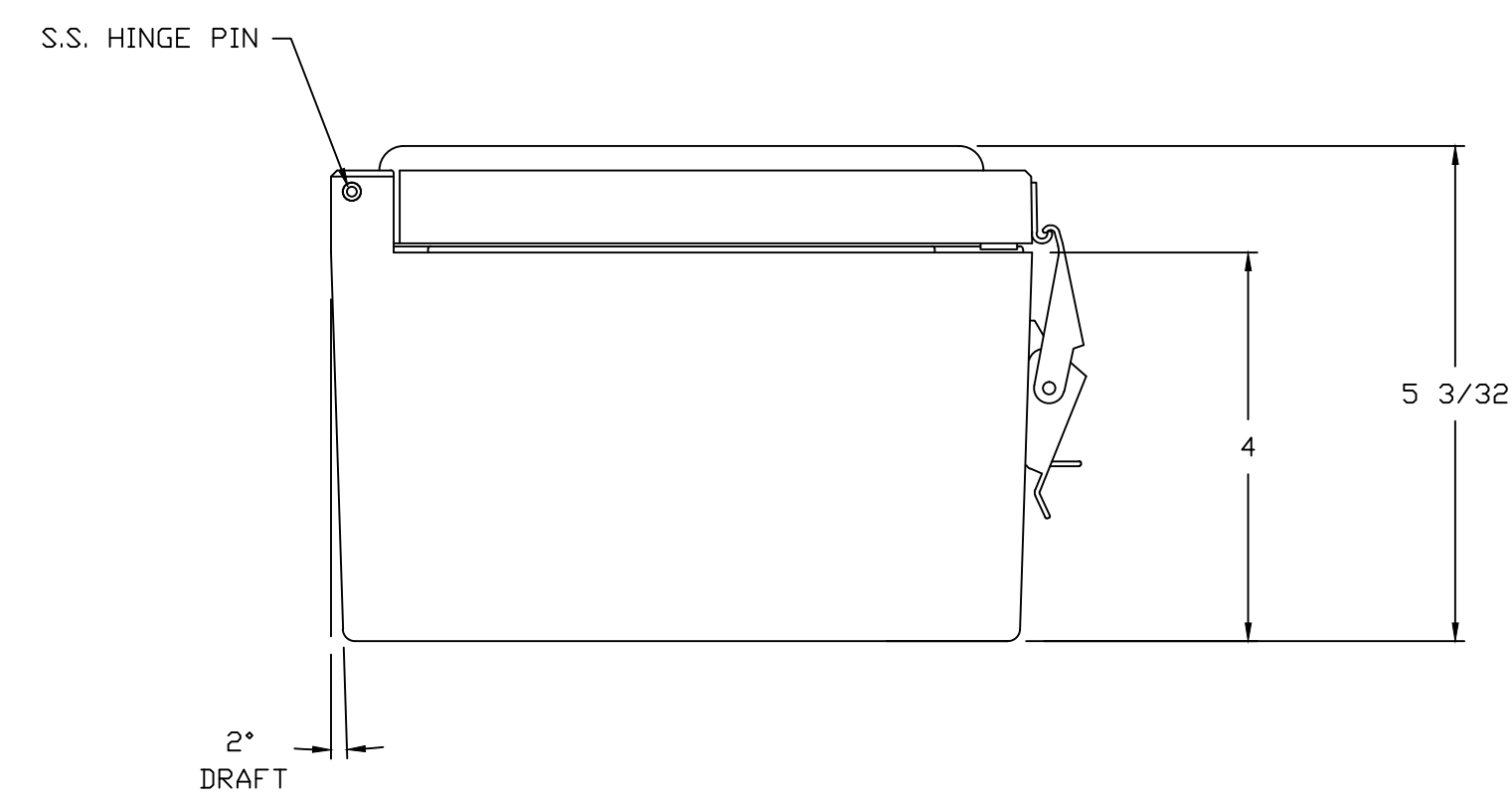


INSIDE VIEW
WITHOUT COVER




SECTION B-B



SECTION A-A

NOTES:

NEMA 4X		TOLERANCES UNLESS SPECIFIED		DECIMAL ± .010	FRACTIONAL ± 1/32
COLOR GLACIER GRAY RR1013					
MATERIAL	FR POLYESTER FIBERGLASS	DR. BY	DATE	7/12/96	
LET.	REVISION RECORD	DATE	BY	CHK. BY	DATE
				APD. BY	DATE
SCALE DO NOT SCALE		PART NAME ENCLOSURE		PART NO. CL907HPL	



STAHLIN
ENCLOSURES
DIVISION OF ROBROY INDUSTRIES

BELDING, MICHIGAN 48809

AutoCAD DWG. FILE CL907HPL