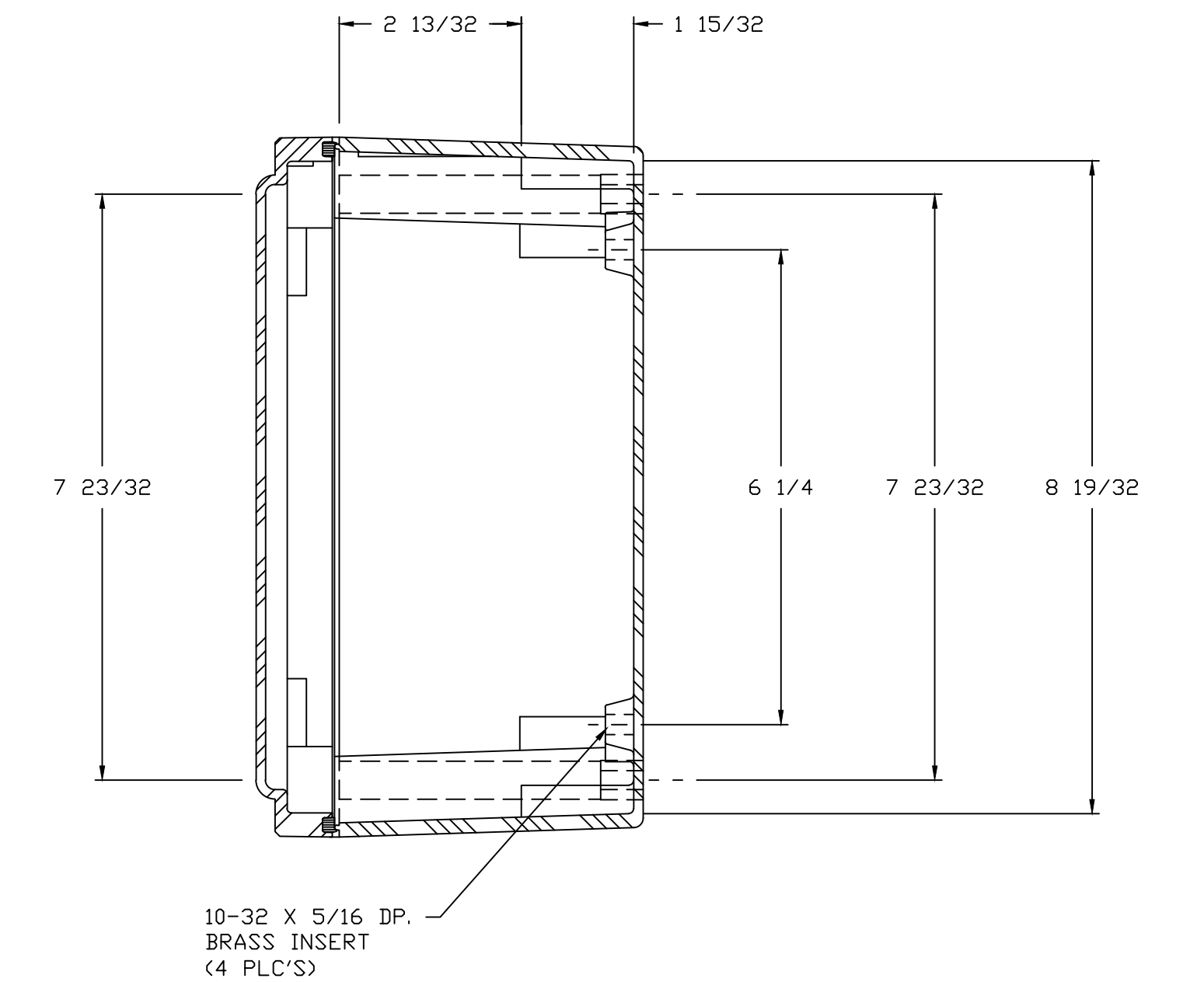
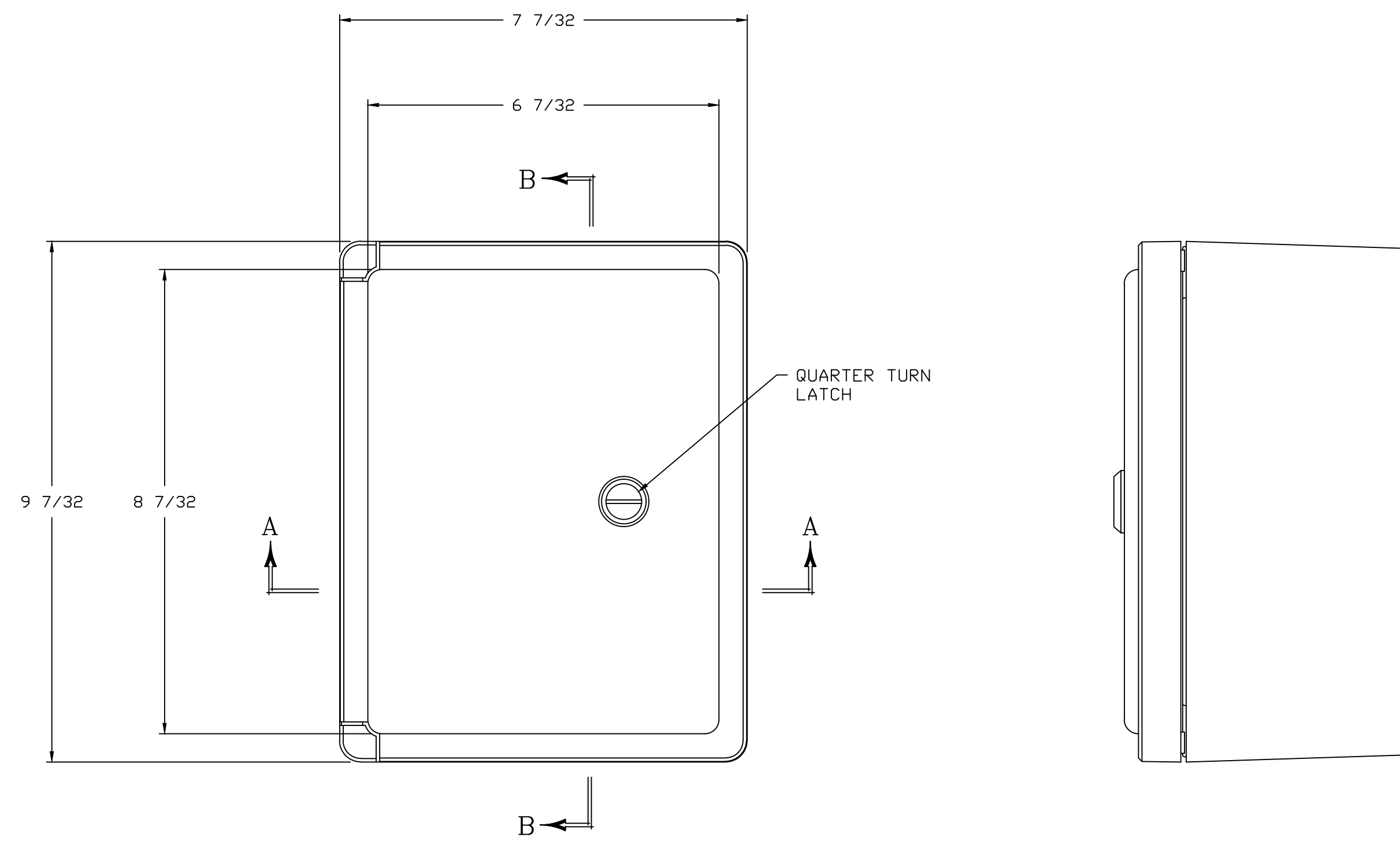
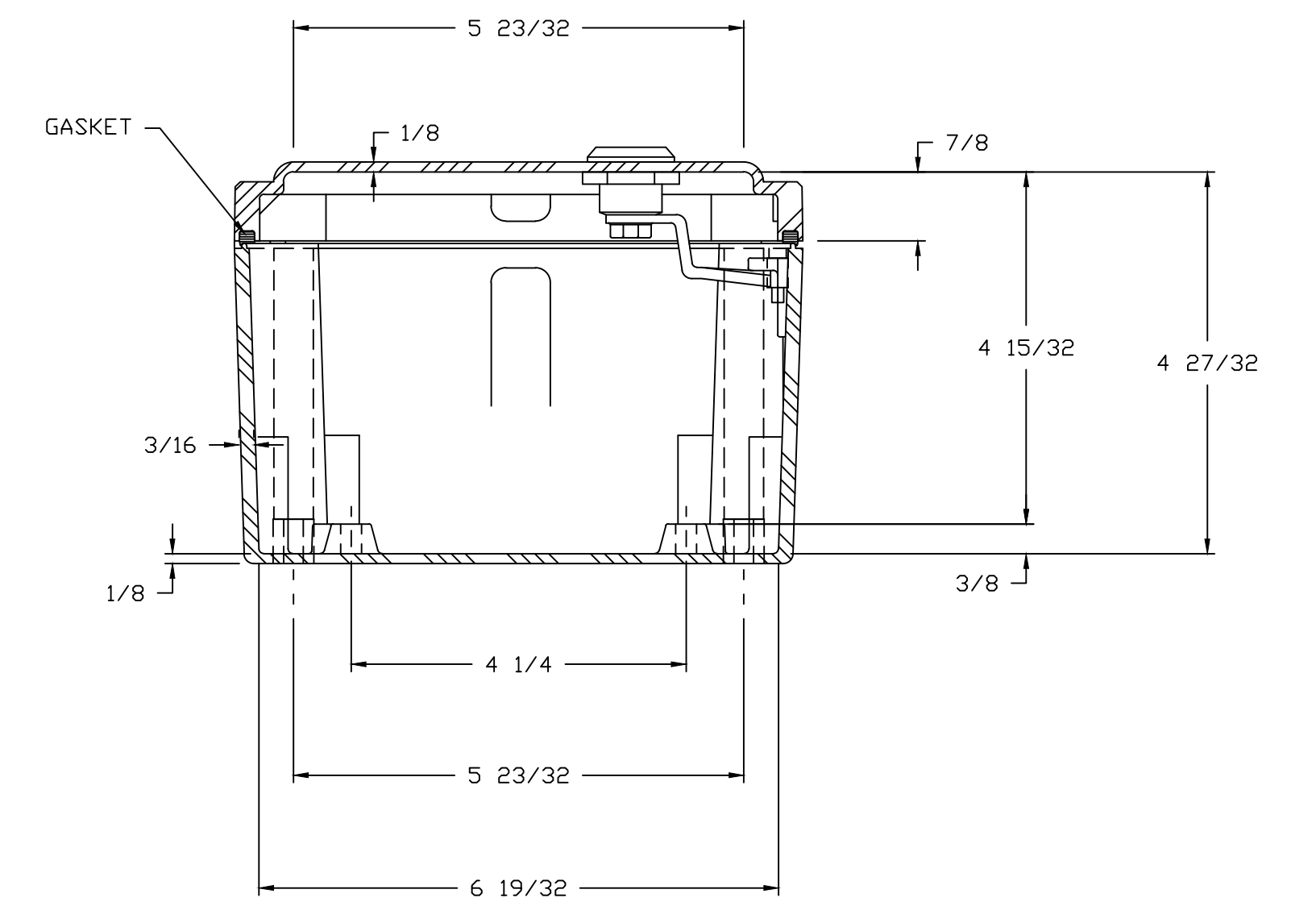
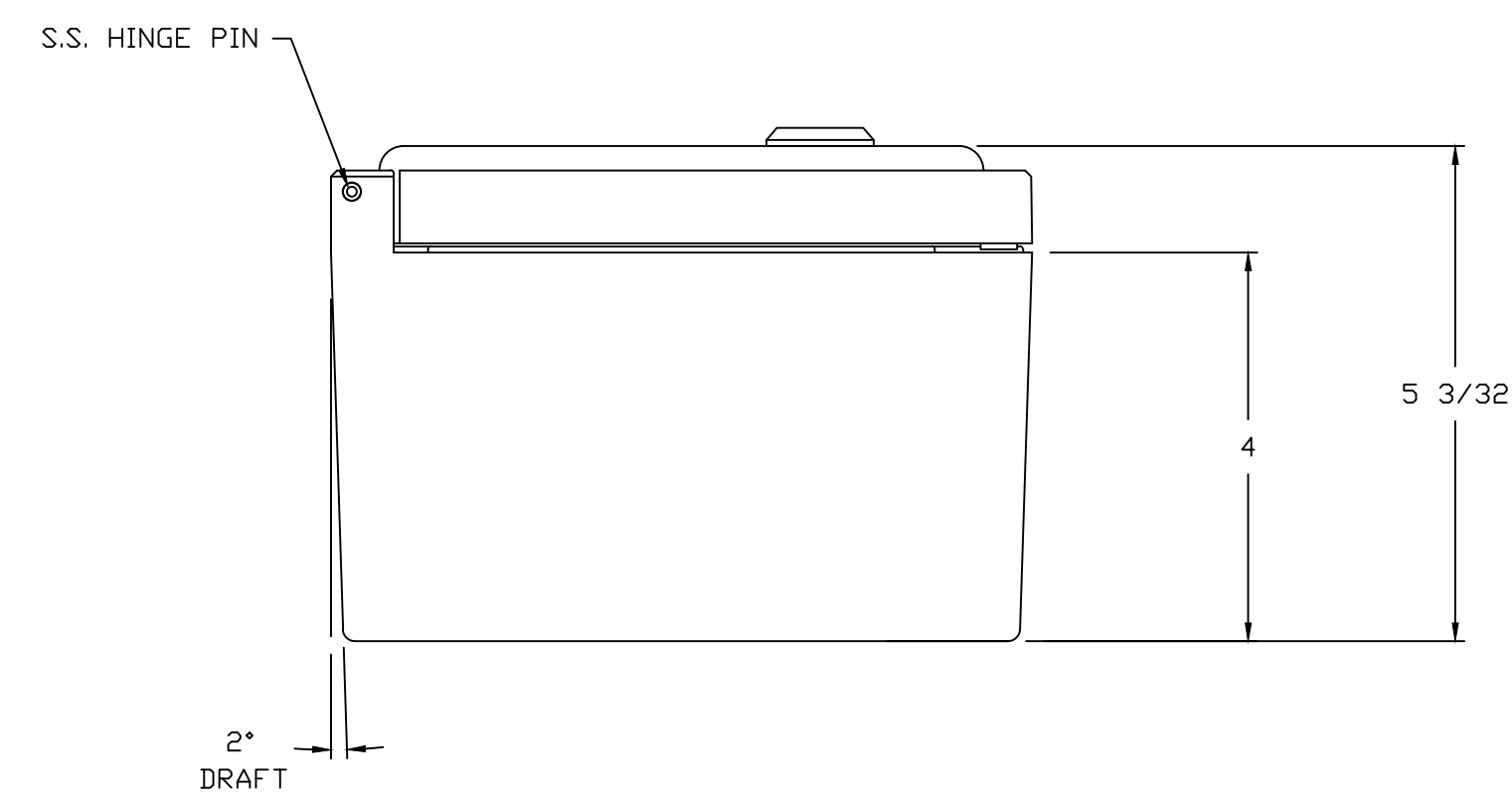


INSIDE VIEW
WITHOUT COVER




SECTION B-B



SECTION A-A

NOTES:

NEMA 4X		TOLERANCES UNLESS SPECIFIED		DECIMAL ± .010	FRACTIONAL ± 1/32
COLOR GLACIER GRAY RR1013					
MATERIAL	FR POLYESTER FIBERGLASS	DR. BY	DATE	 STAHLIN ENCLOSURES <small>DIVISION OF ROBROY INDUSTRIES</small>	
LET.	REVISION RECORD	GF	7/12/96	BELDING, MICHIGAN 48809	
		CHK. BY	DATE	AutoCAD DWG. FILE	
		APD. BY	DATE	CUSTOMER	
		SCALE	PART NAME	PART NO.	CL907HL
		DO NOT SCALE	ENCLOSURE		