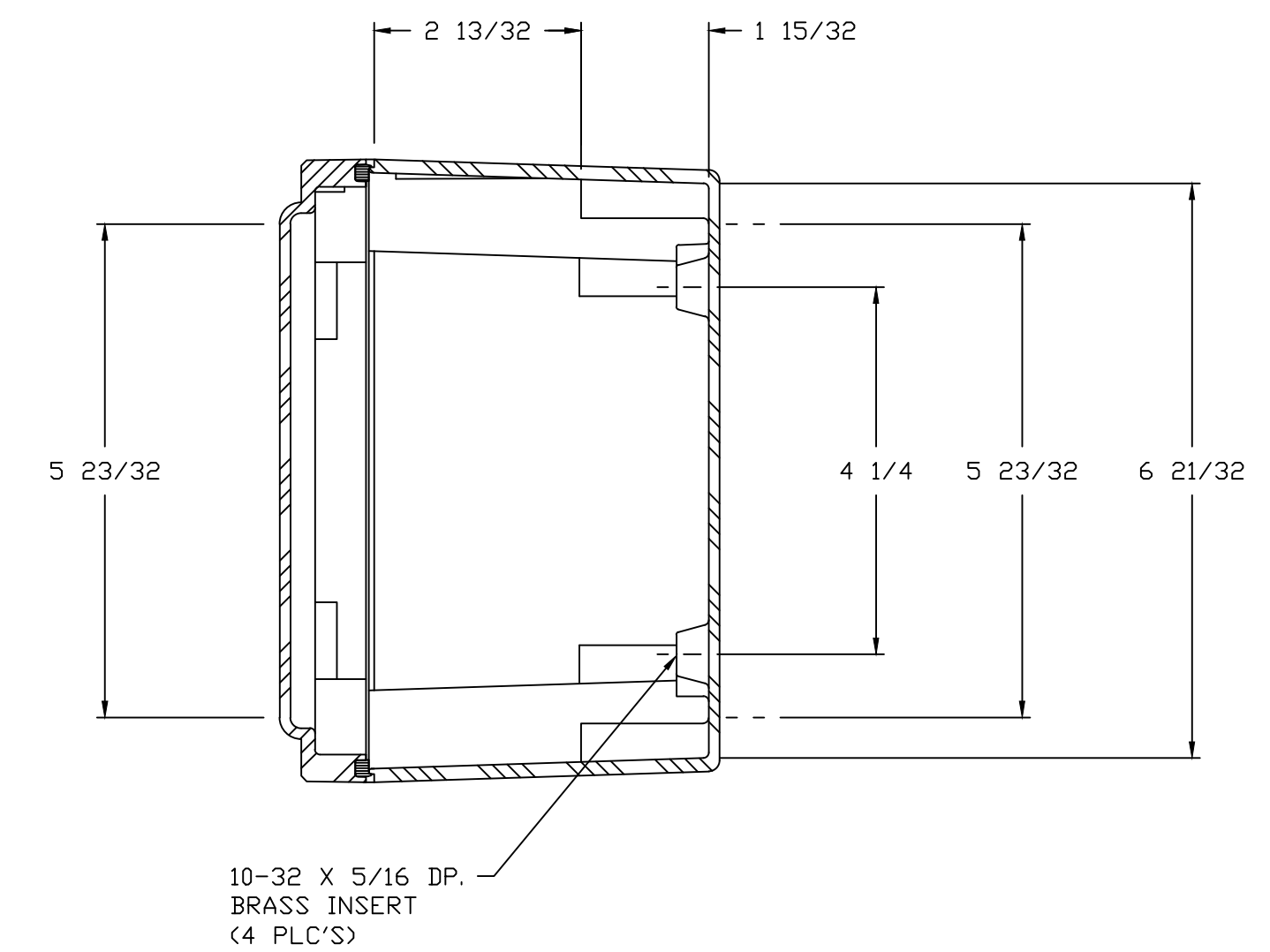
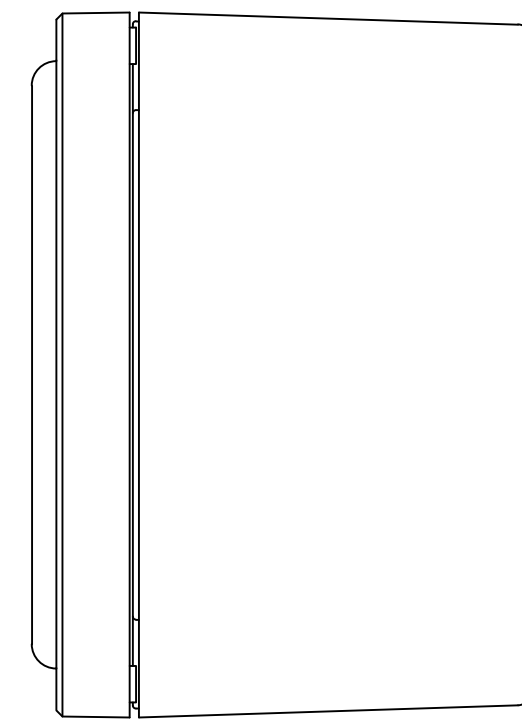
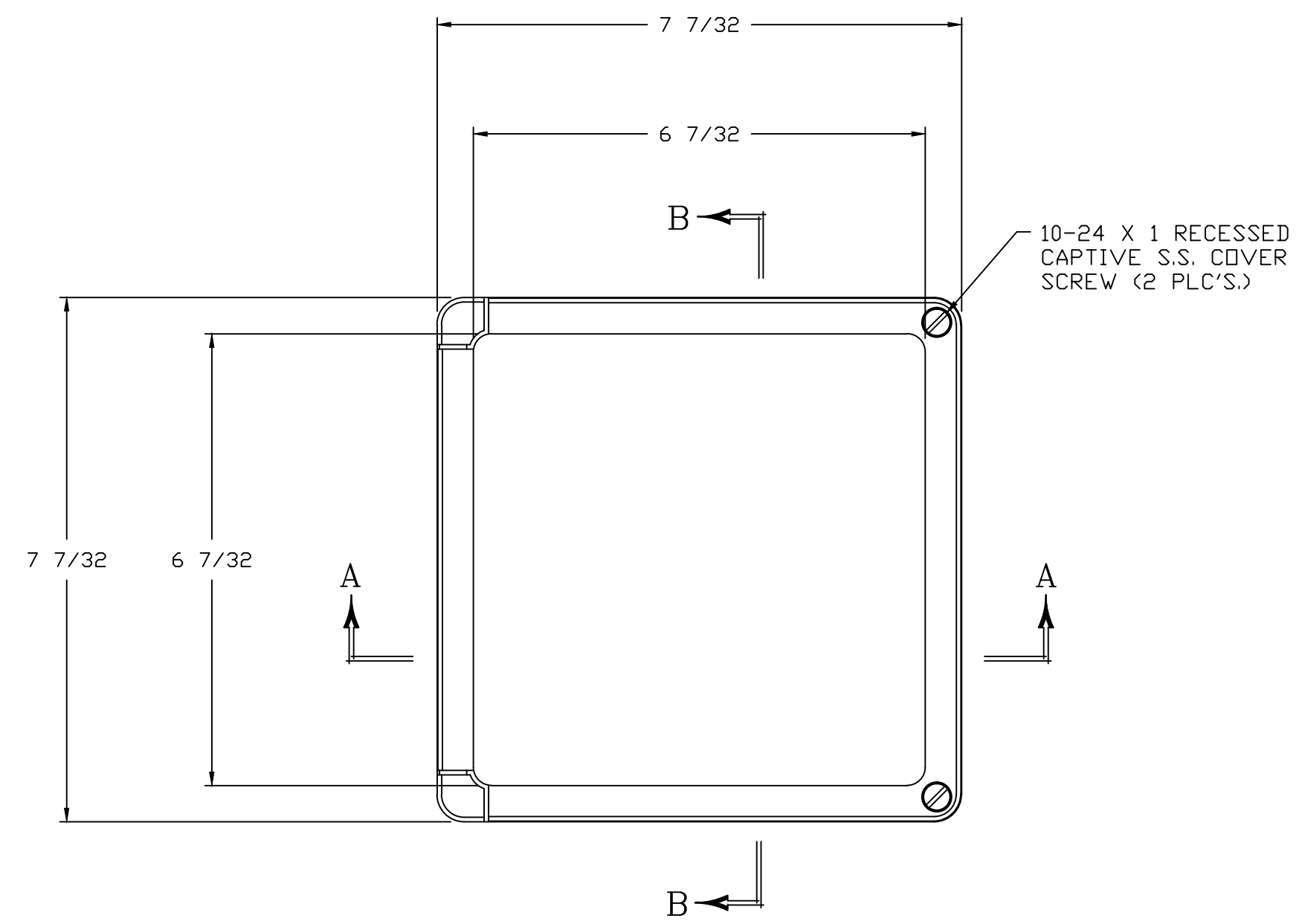
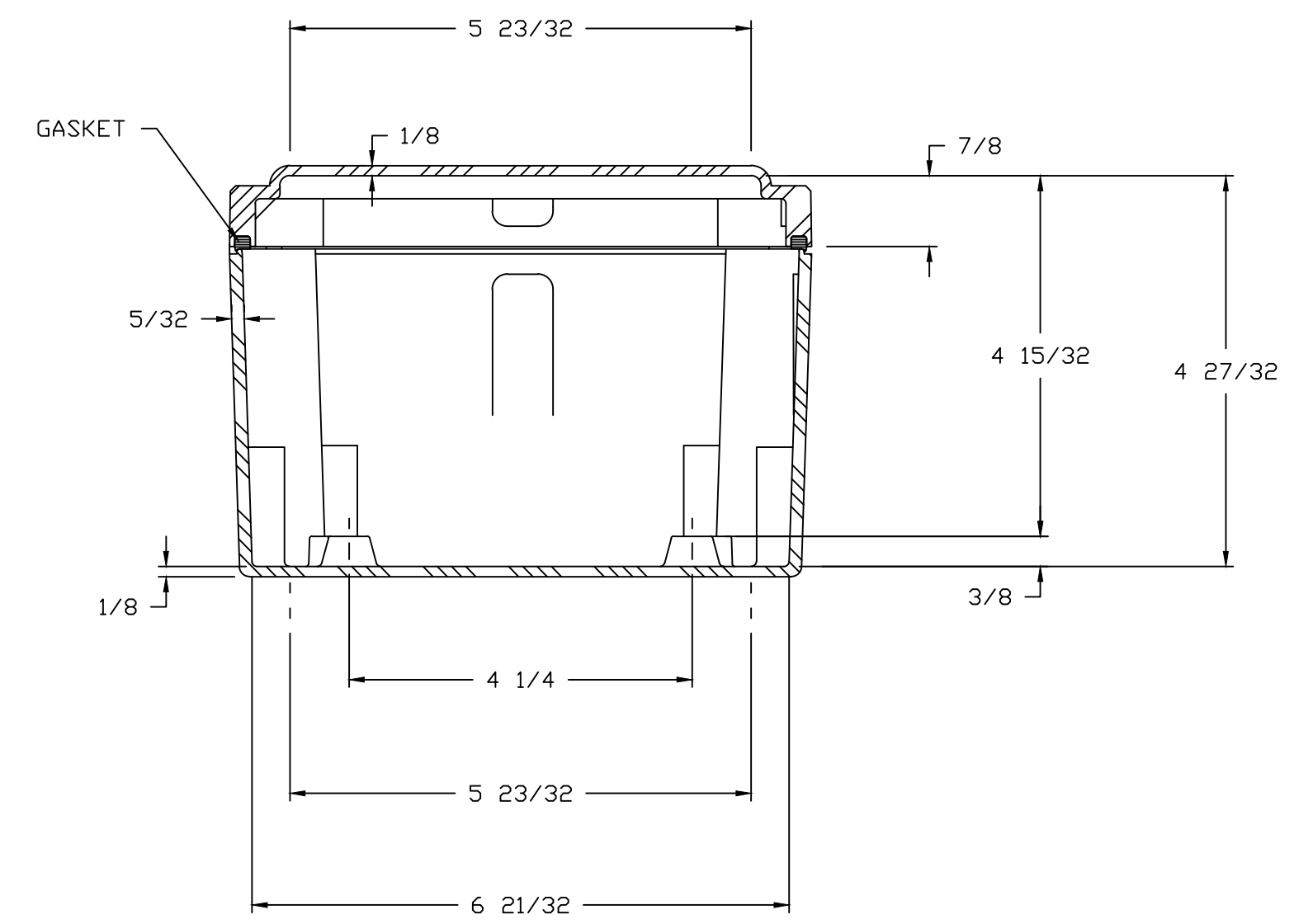
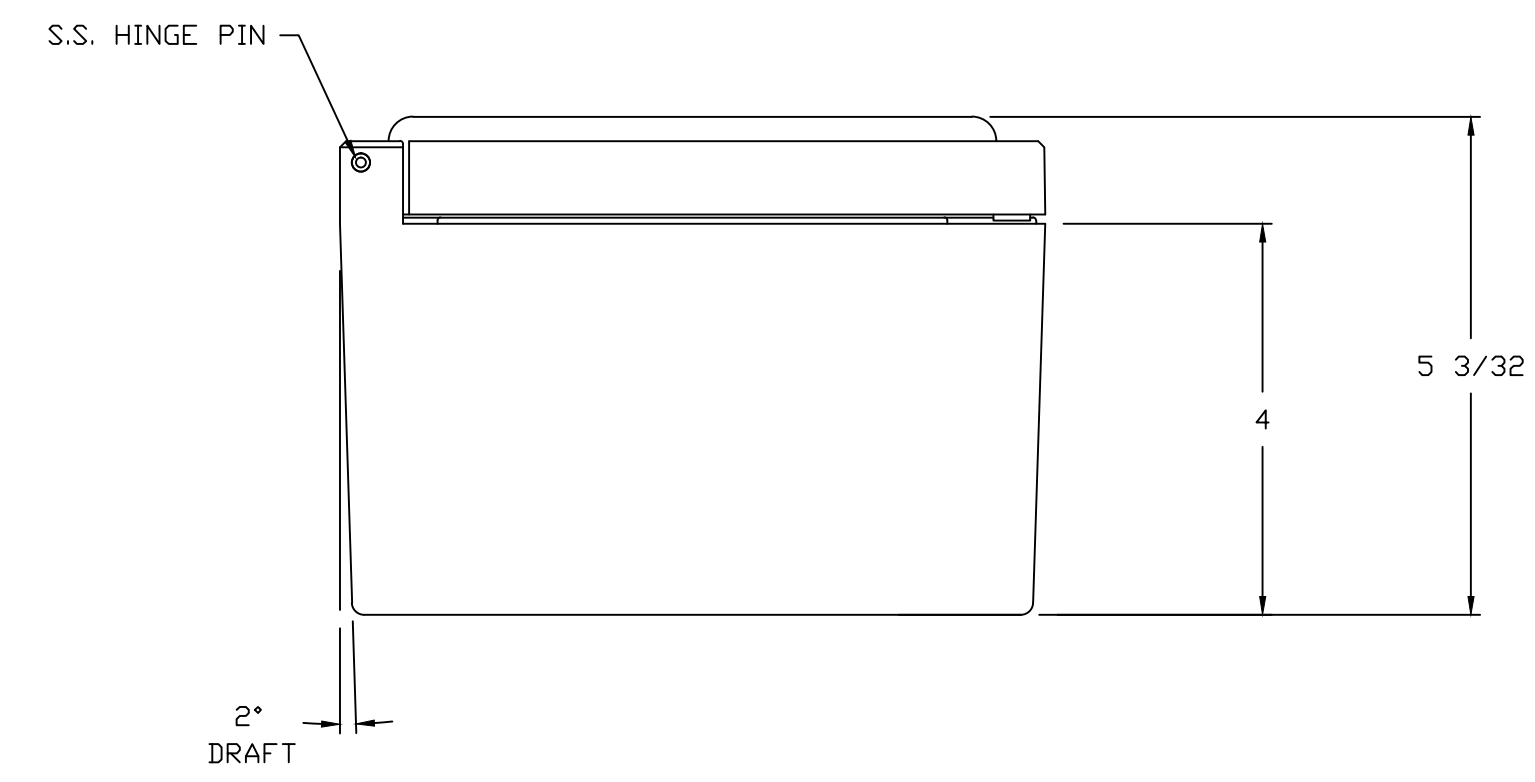


INSIDE VIEW
WITHOUT COVER




SECTION B-B



SECTION A-A

NOTES:

NEMA 4X		TOLERANCES UNLESS SPECIFIED		DECIMAL ± .010	FRACTIONAL ± 1/32			
COLOR GLACIER GRAY RR1013		DR. BY GF	DATE 7/12/96	 BELDING, MICHIGAN 48809				
MATERIAL FR POLYESTER FIBERGLASS		CHK. BY	DATE					
LET.	REVISION RECORD	DATE	BY	CHD.	APD. BY	DATE	CUSTOMER	AutoCAD DWG. FILE
								CL707HW
SCALE DO NOT SCALE		PART NAME ENCLOSURE		PART NO. CL707HW				