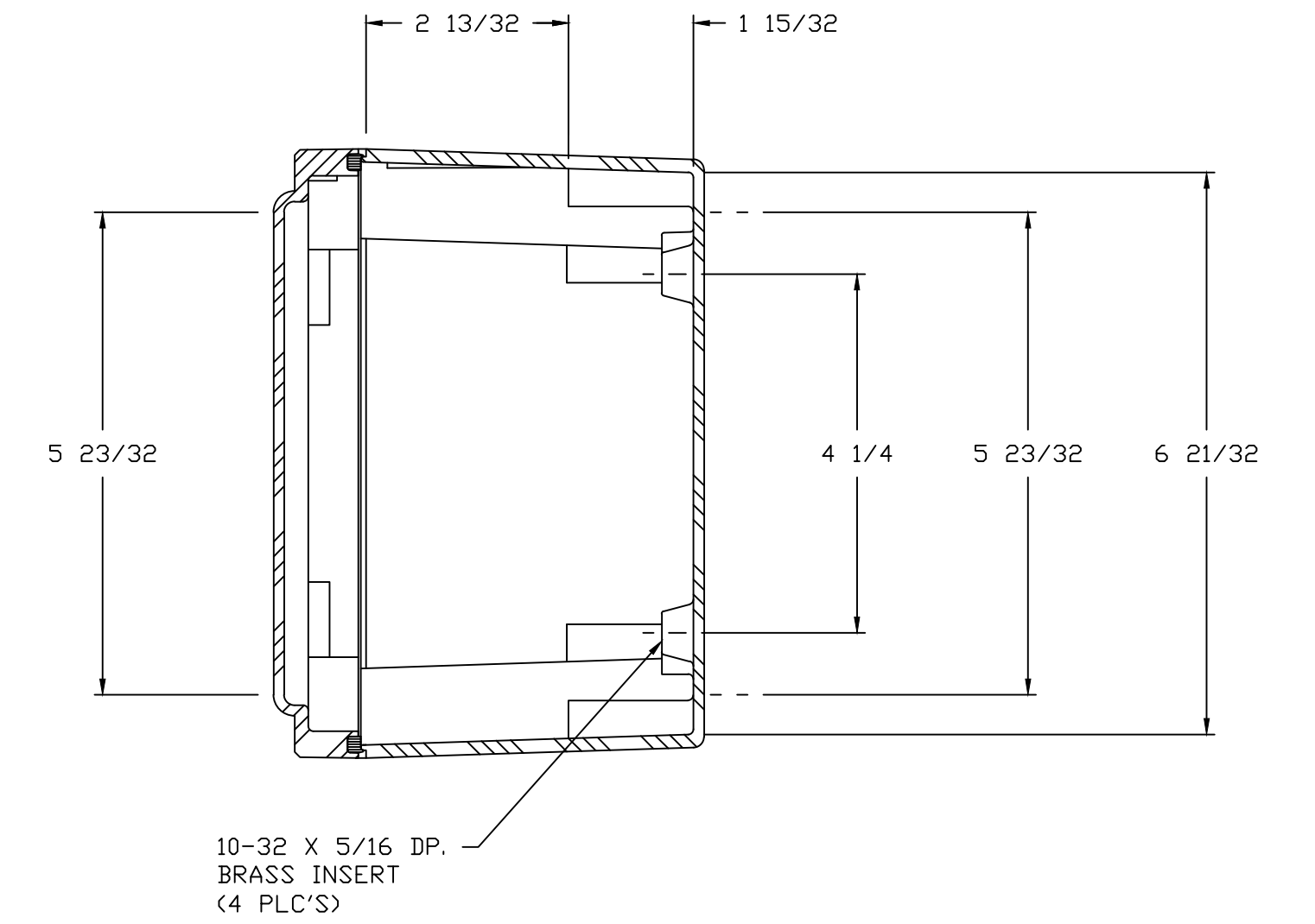
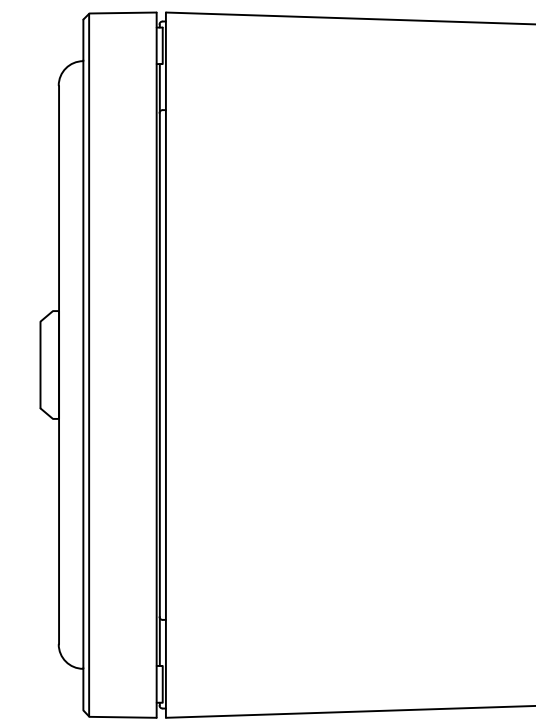
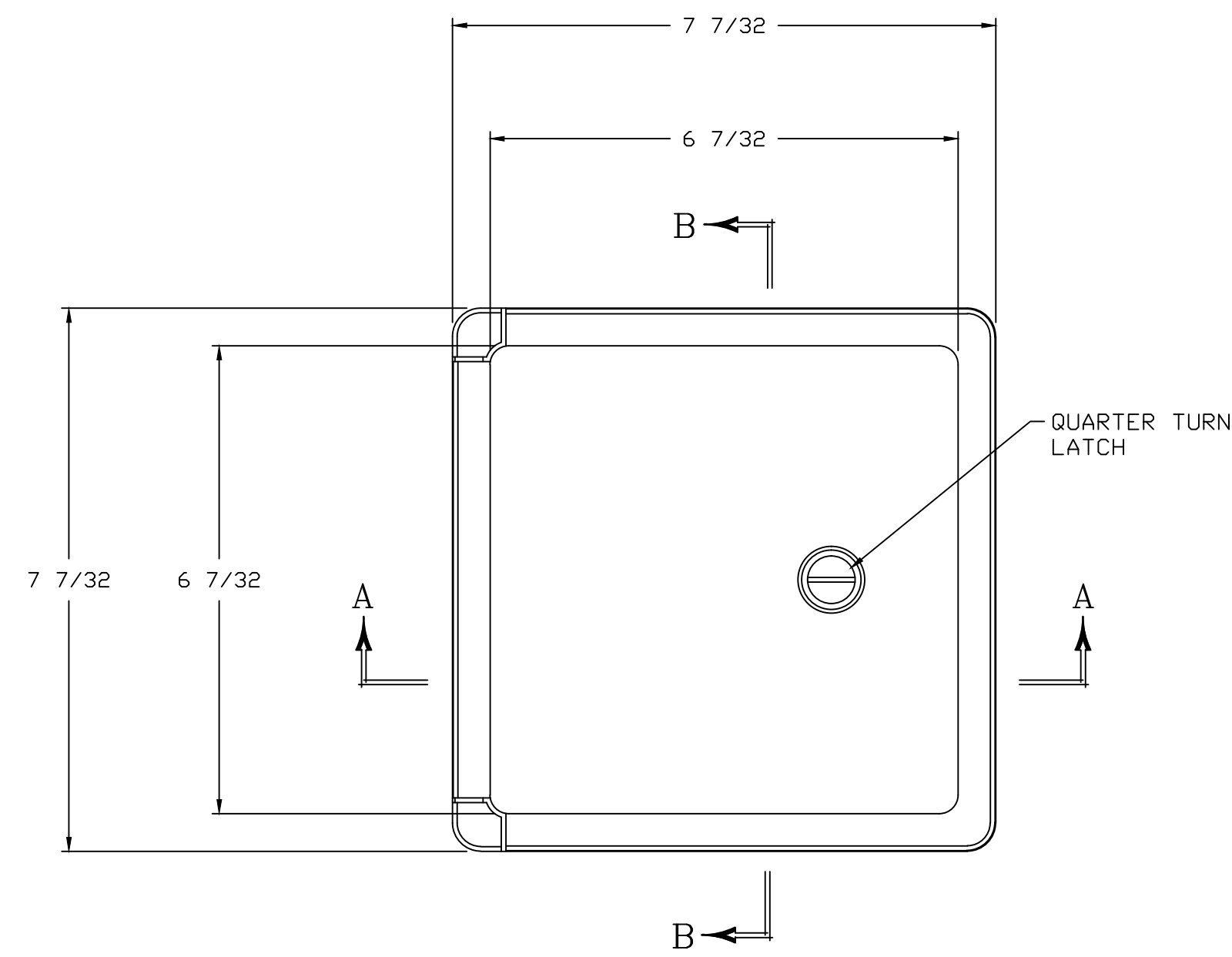
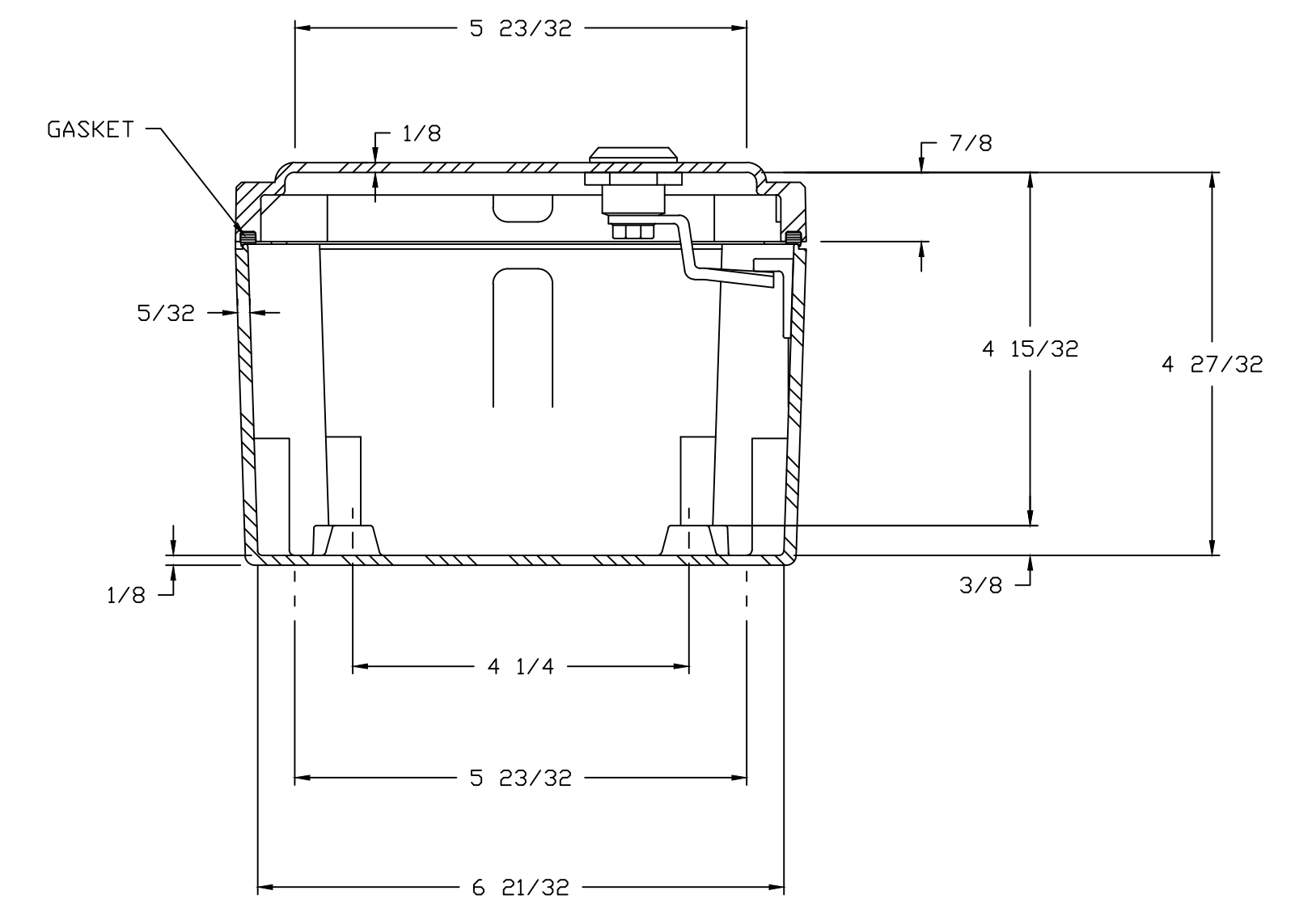
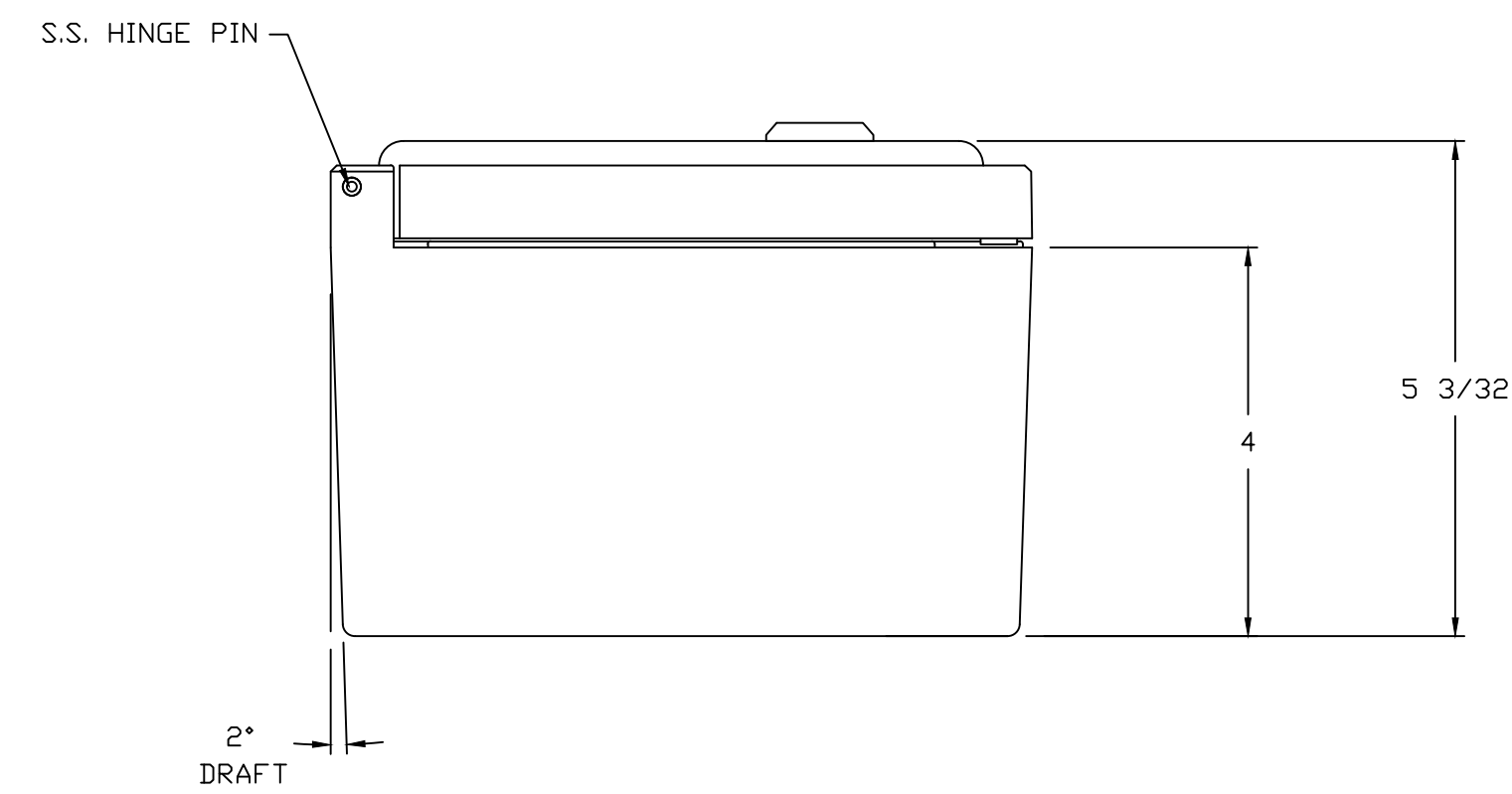



INSIDE VIEW
WITHOUT COVER



SECTION B-B



SECTION A-A

NOTES:										
NEMA 4X					TOLERANCES UNLESS SPECIFIED		DECIMAL ± .010	FRACTIONAL ± 1/32		
COLOR GLACIER GRAY RR1013										
MATERIAL FR POLYESTER FIBERGLASS					DR. BY GF	DATE 7/12/96	 BELDING, MICHIGAN 48809			
REVISION RECORD					CHK. BY	DATE			CUSTOMER	
					APD. BY	DATE	SCALE		PART NAME ENCLOSURE	
					DO NOT SCALE		PART NO.		CL707HL	