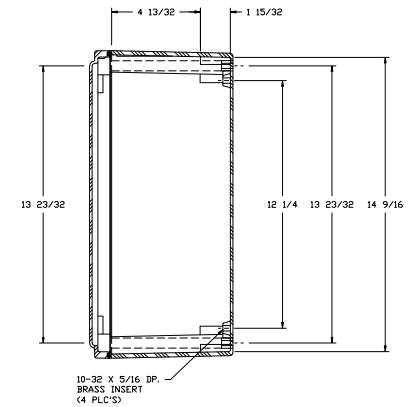
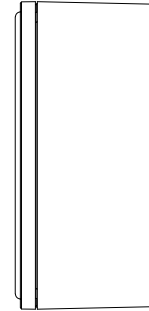
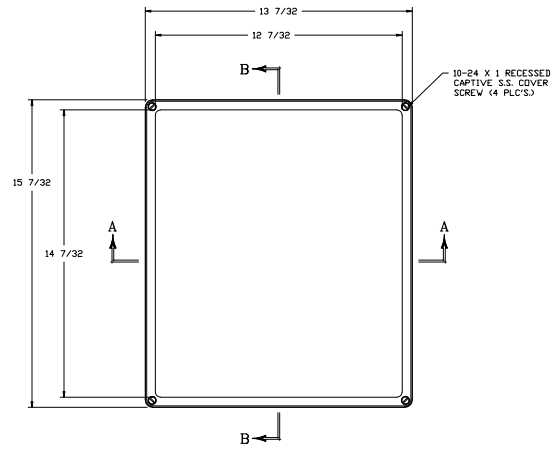
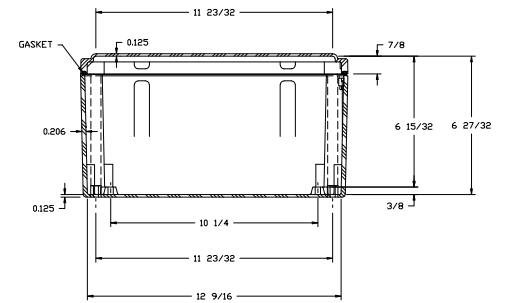
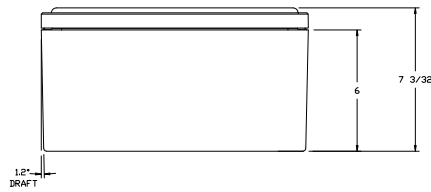


**INSIDE VIEW**  
WITHOUT COVER



**SECTION B-B**



**SECTION A-A**

NOTES										
NEMA 4X								TOLERANCES UNLESS SPECIFIED	DECIMAL ± .010	FRACTIONAL ± 1/32
MATERIAL: FR POLYESTER FIBERGLASS				DR. BY: LB	DATE: 3/12/07	STAHLIN ENCLOSURES SYSTEMS OF ROBERT INDUSTRIES		BUILDING MICHIGAN 48809		
LET.	REVISION RECORD	DATE	BY	CHK. BY	DATE	APP. BY	DATE	CUSTOMER	MACHO ENG. FILE	
SCALE: DO NOT SCALE								PART NAME: ENCLOSURE	PART NO.:	CL1513W