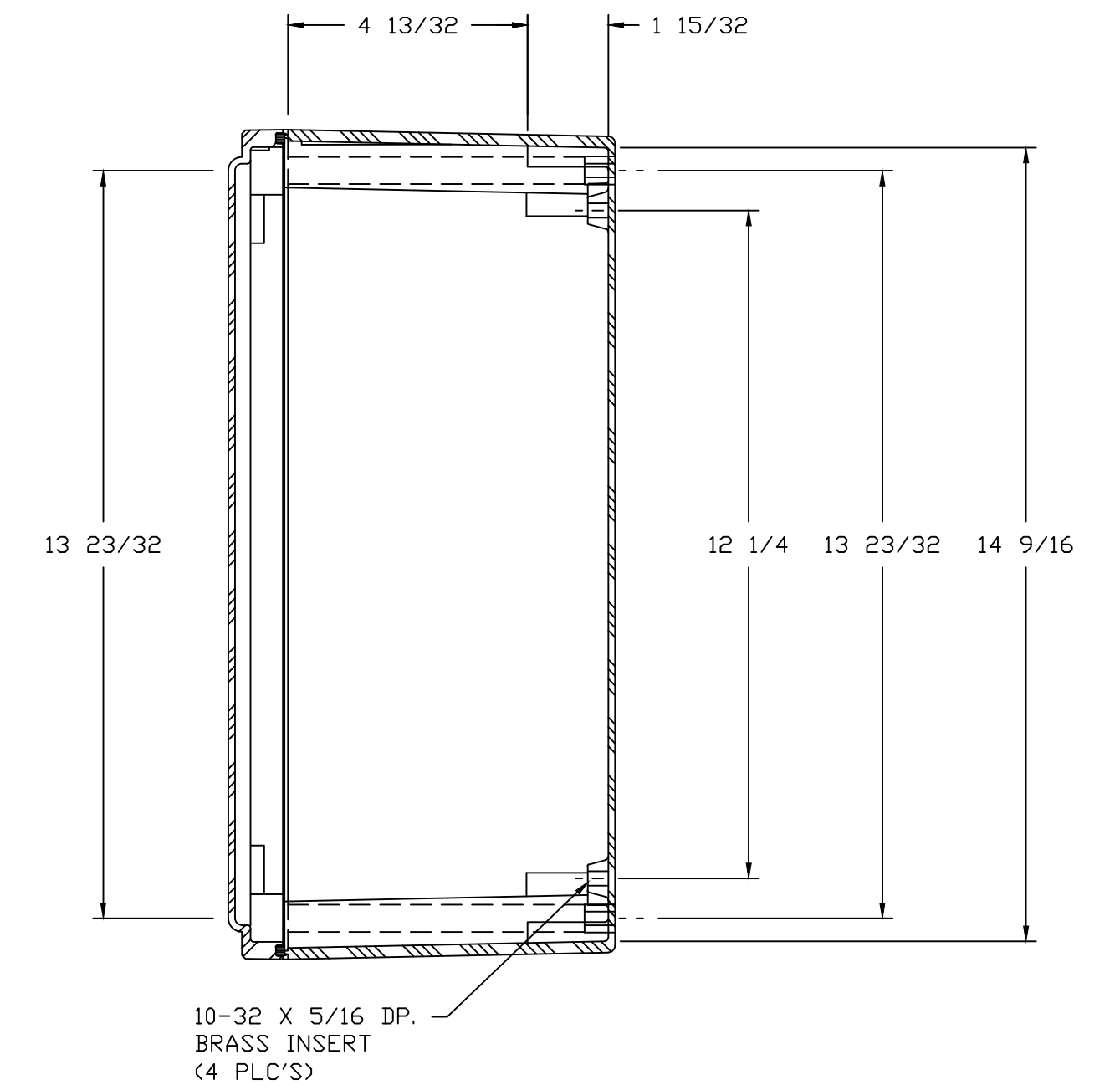
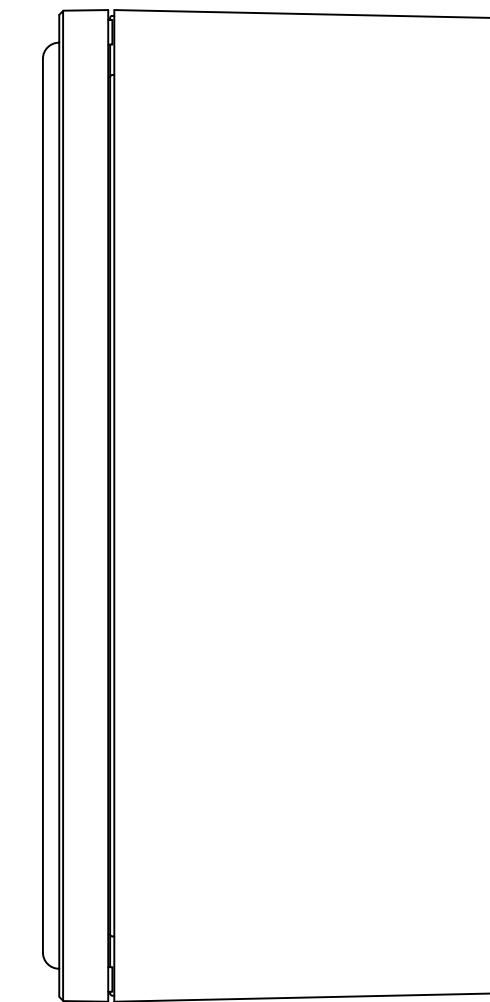
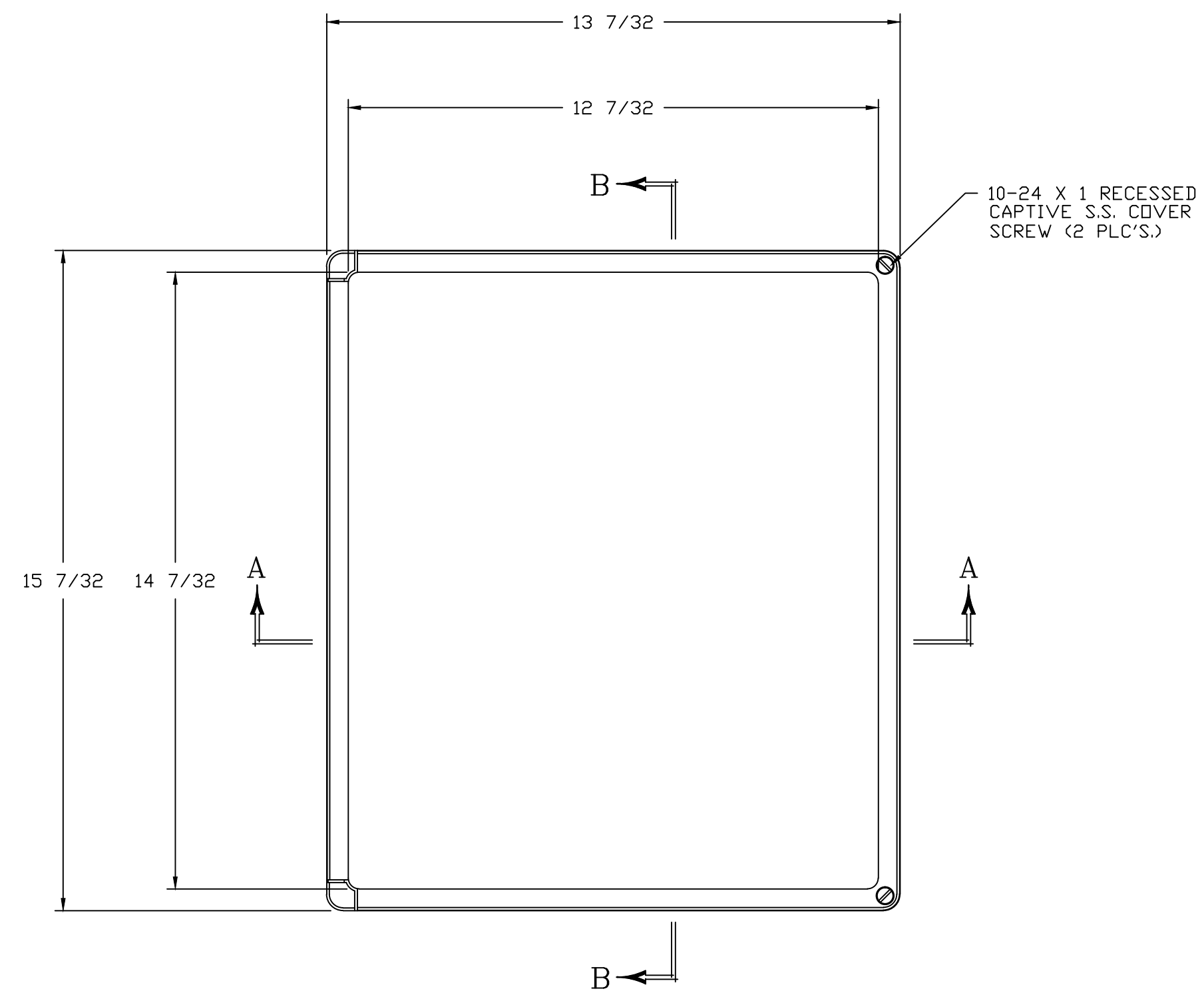
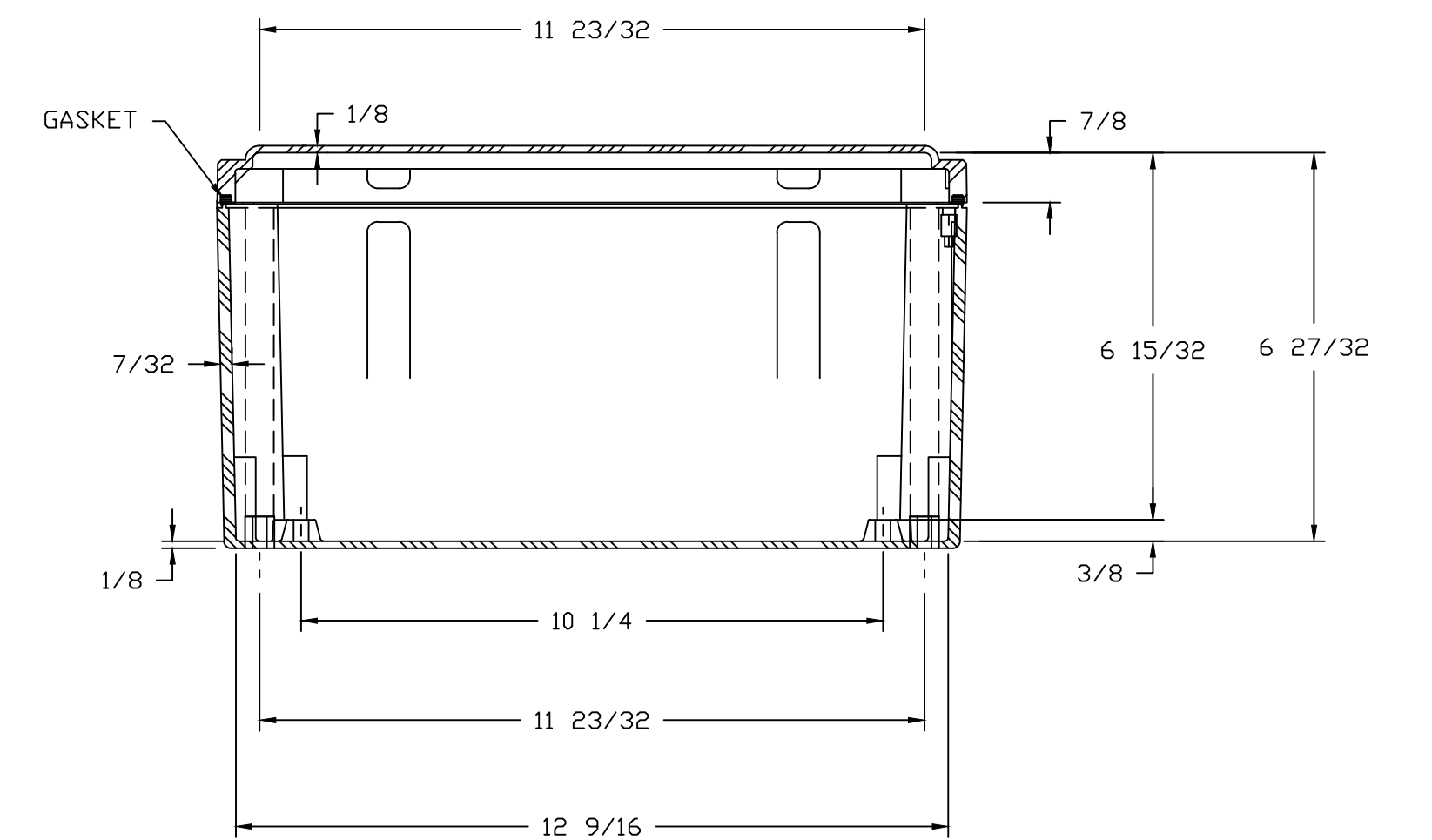
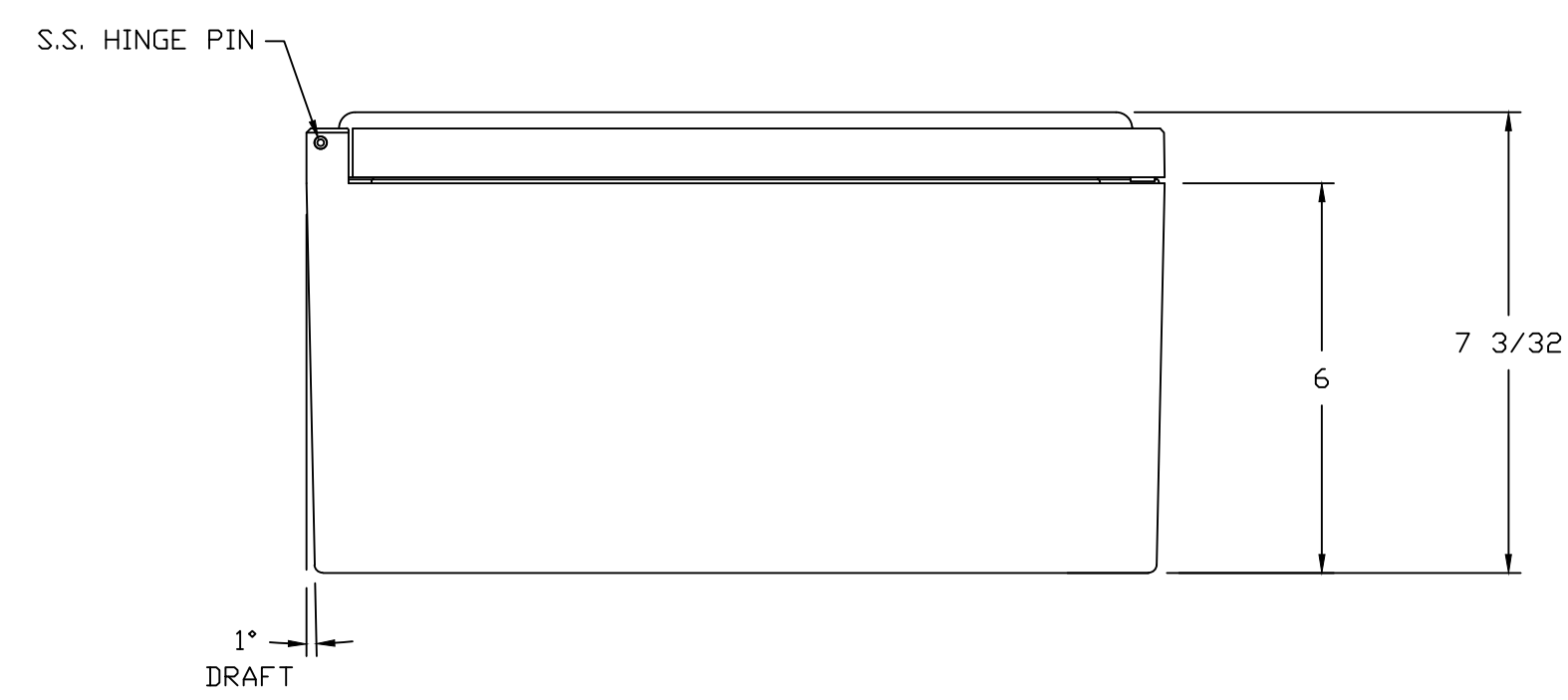


INSIDE VIEW
WITHOUT COVER




SECTION B-B



SECTION A-A

NOTES:

NEMA 4X		TOLERANCES UNLESS SPECIFIED		DECIMAL ± .010	FRACTIONAL ± 1/32
MATERIAL		DR. BY	DATE	 BELDING, MICHIGAN 48809 DIVISION OF ROBOID INDUSTRIES	
FR POLYESTER FIBERGLASS		GF	7/12/96		
LET.	REVISION RECORD	DATE	BY	CHD.	APD. BY
					DATE
					CUSTOMER
					SCALE
					DO NOT SCALE
PART NAME		ENCLOSURE		PART NO.	CL1513HW
AUTOCAD DWG. FILE		CL1513HW			