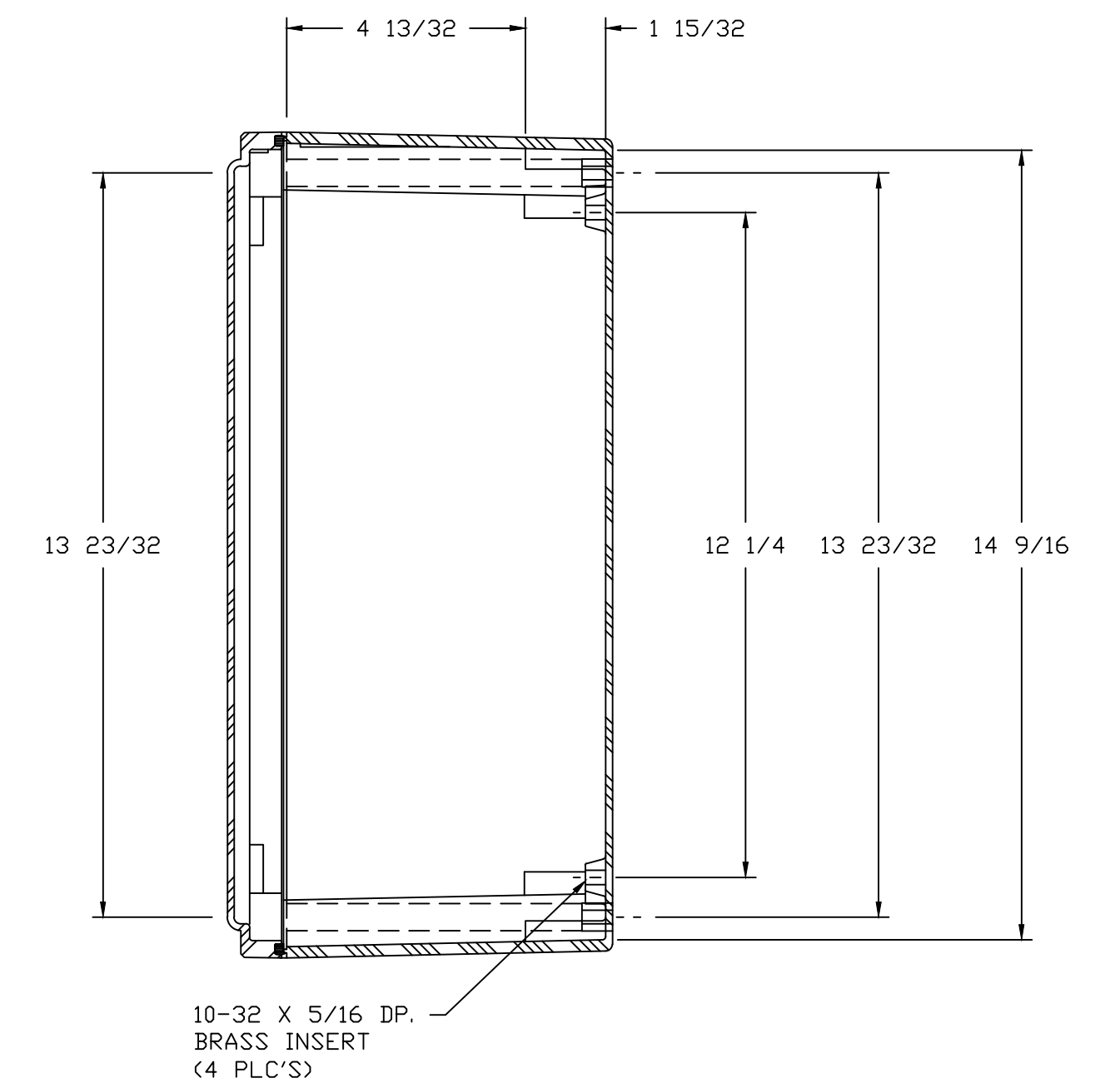
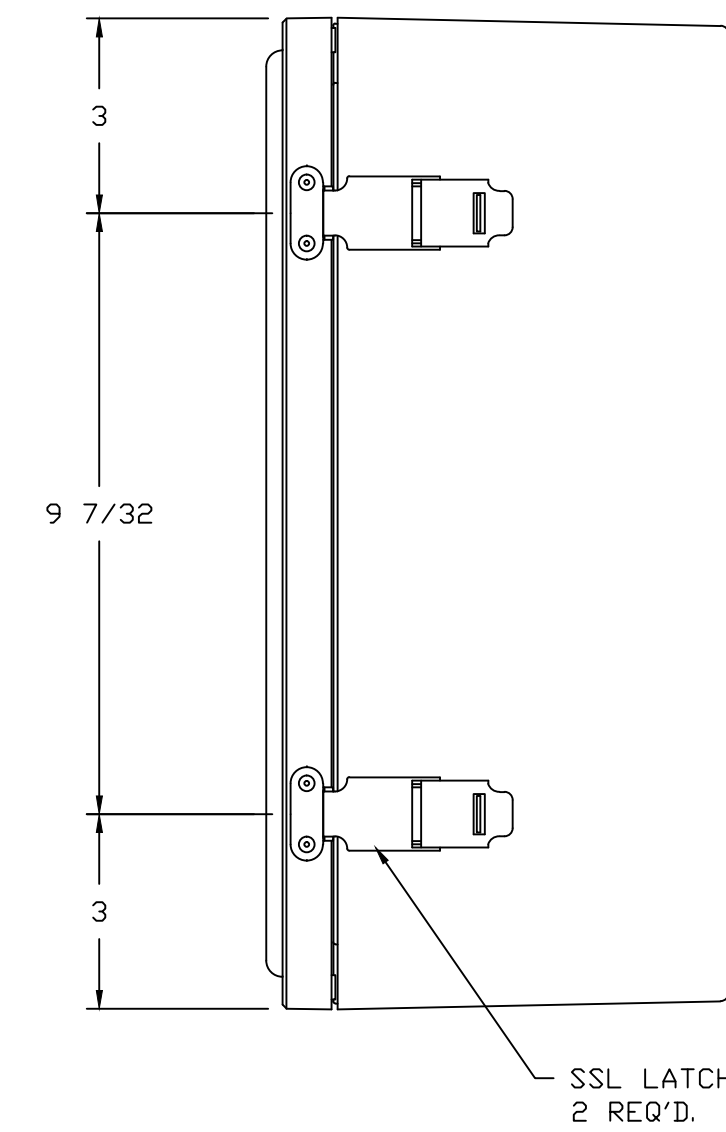
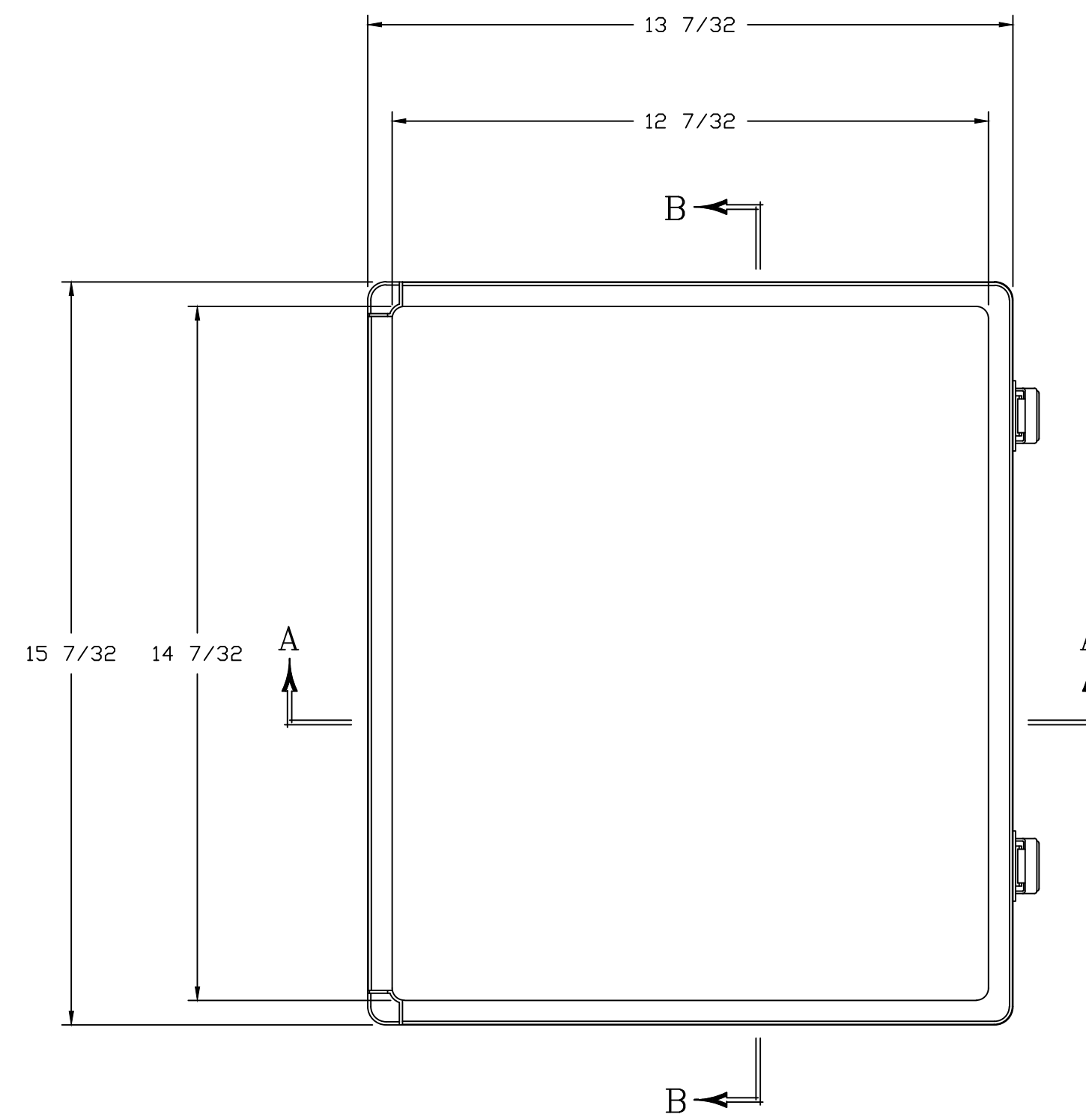
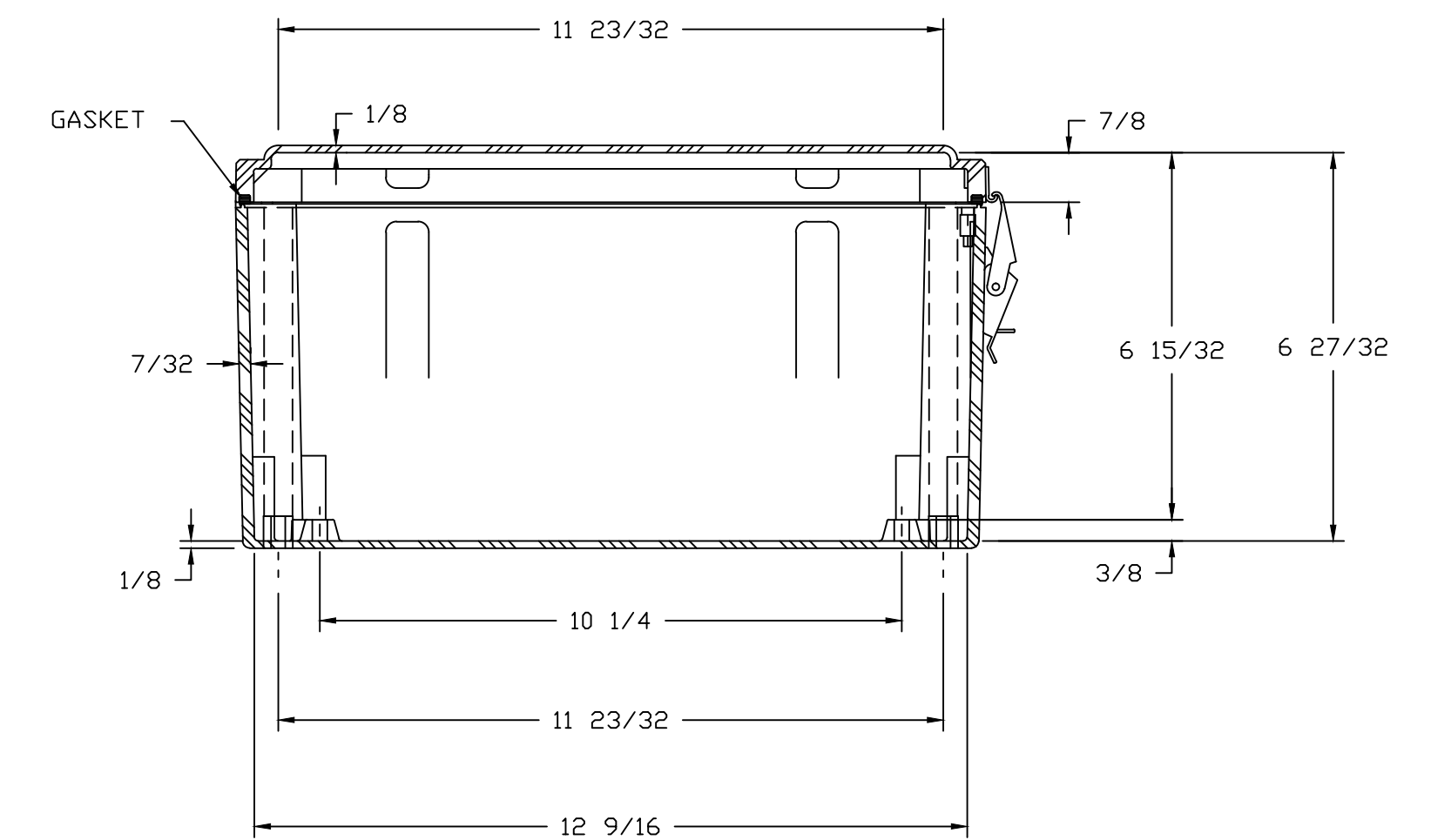
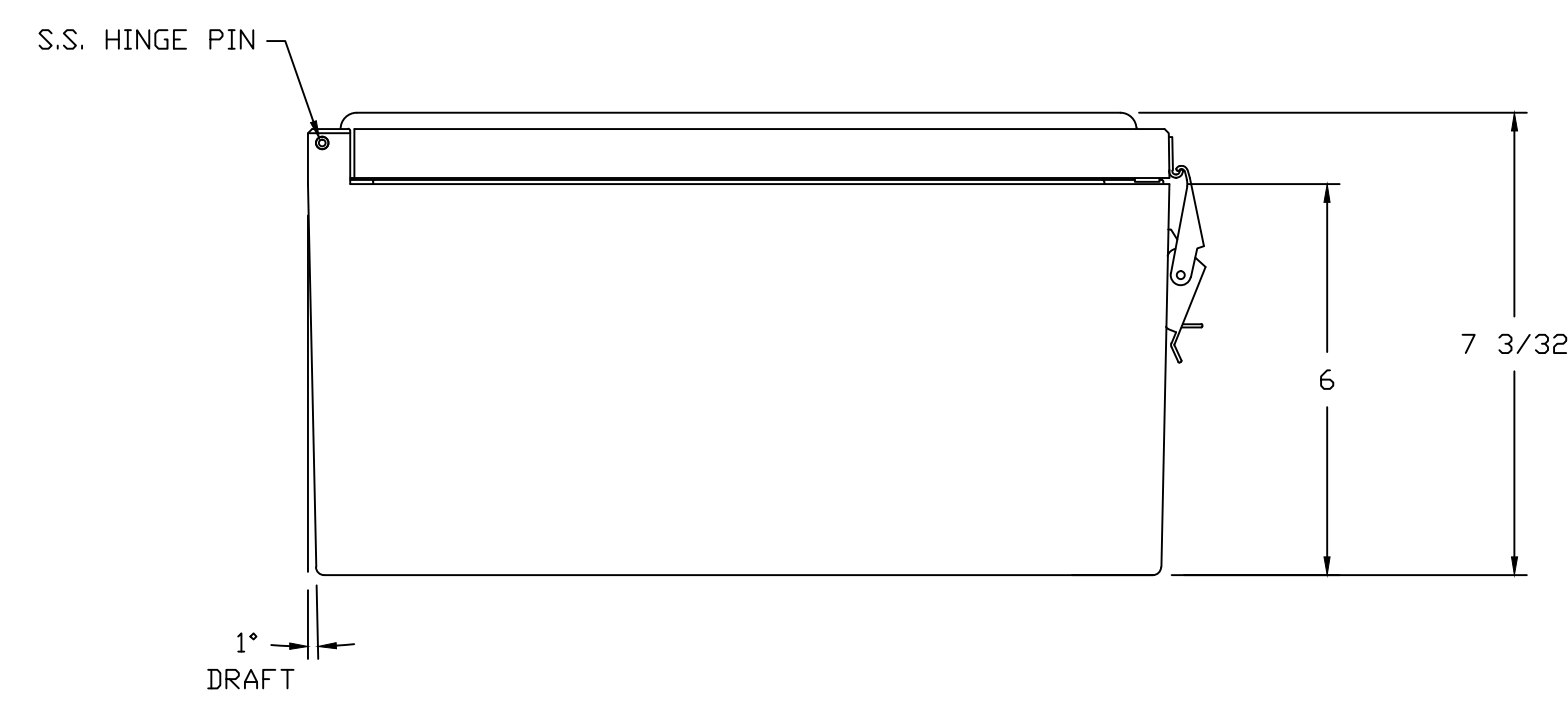


INSIDE VIEW
WITHOUT COVER




SECTION B-B



SECTION A-A

NOTES:

NEMA 4X		TOLERANCES UNLESS SPECIFIED		DECIMAL ± .010	FRACTIONAL ± 1/32			
MATERIAL		DR. BY	DATE	 BELDING, MICHIGAN 48809				
FR POLYESTER FIBERGLASS		GF	7/12/96					
LET.	REVISION RECORD	DATE	BY	CHD.	APD. BY	DATE	CUSTOMER	AutoCAD DWG. FILE
								CL1513HPL
SCALE		PART NAME		PART NO.				
DO NOT SCALE		ENCLOSURE		CL1513HPL				