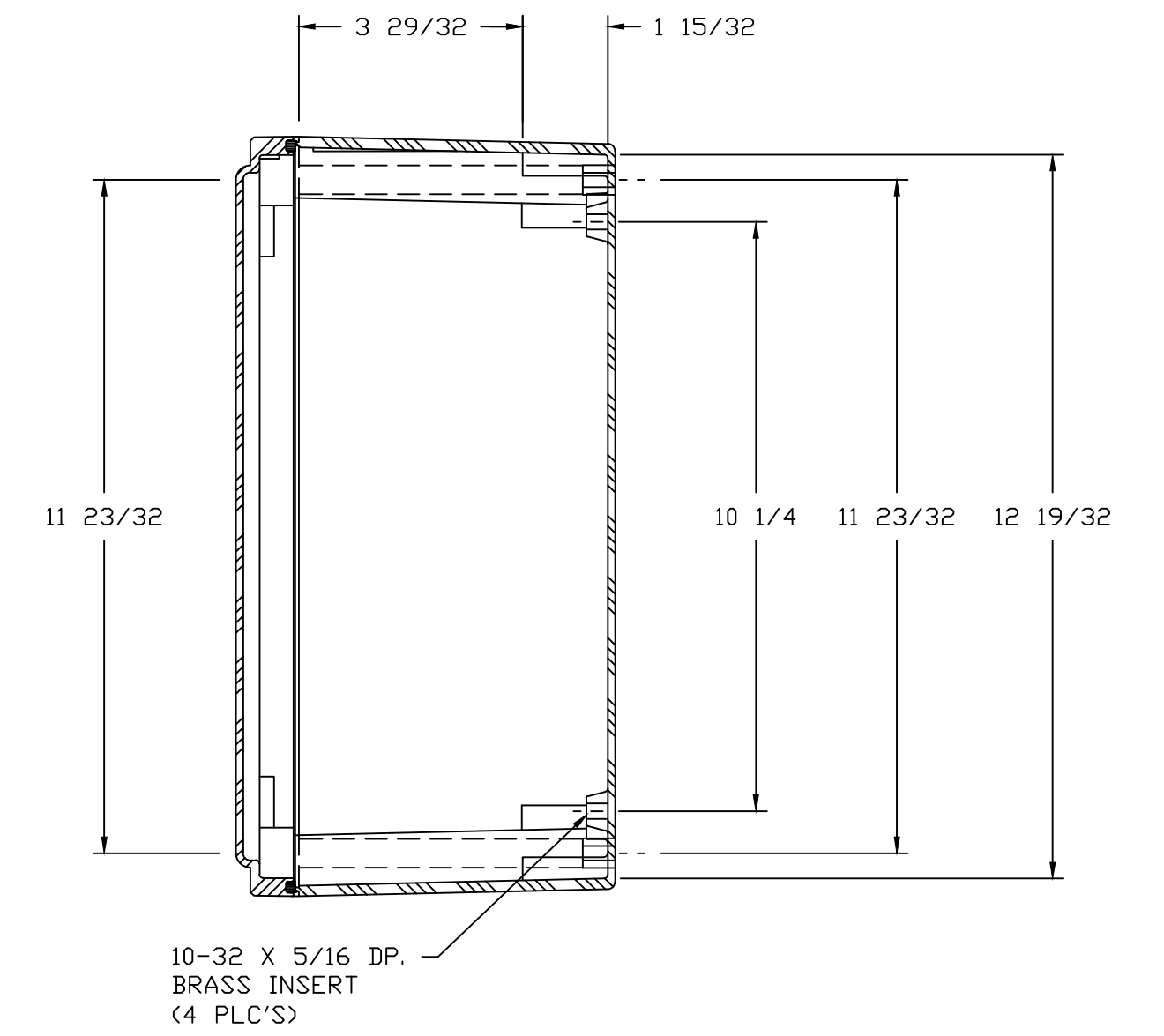
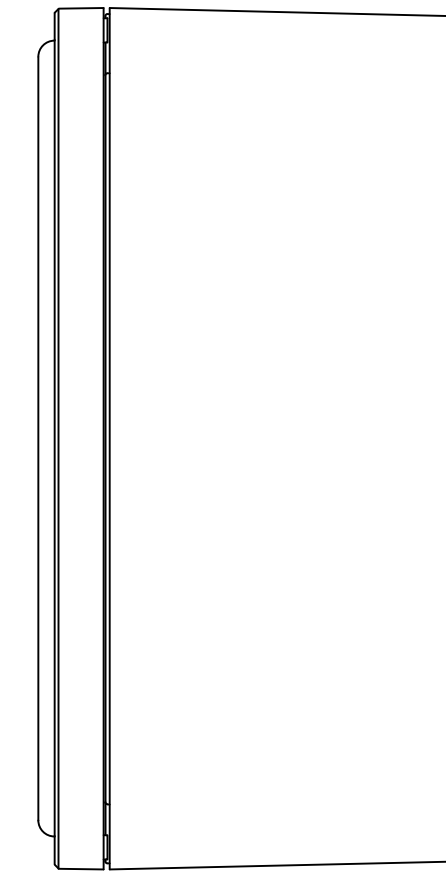
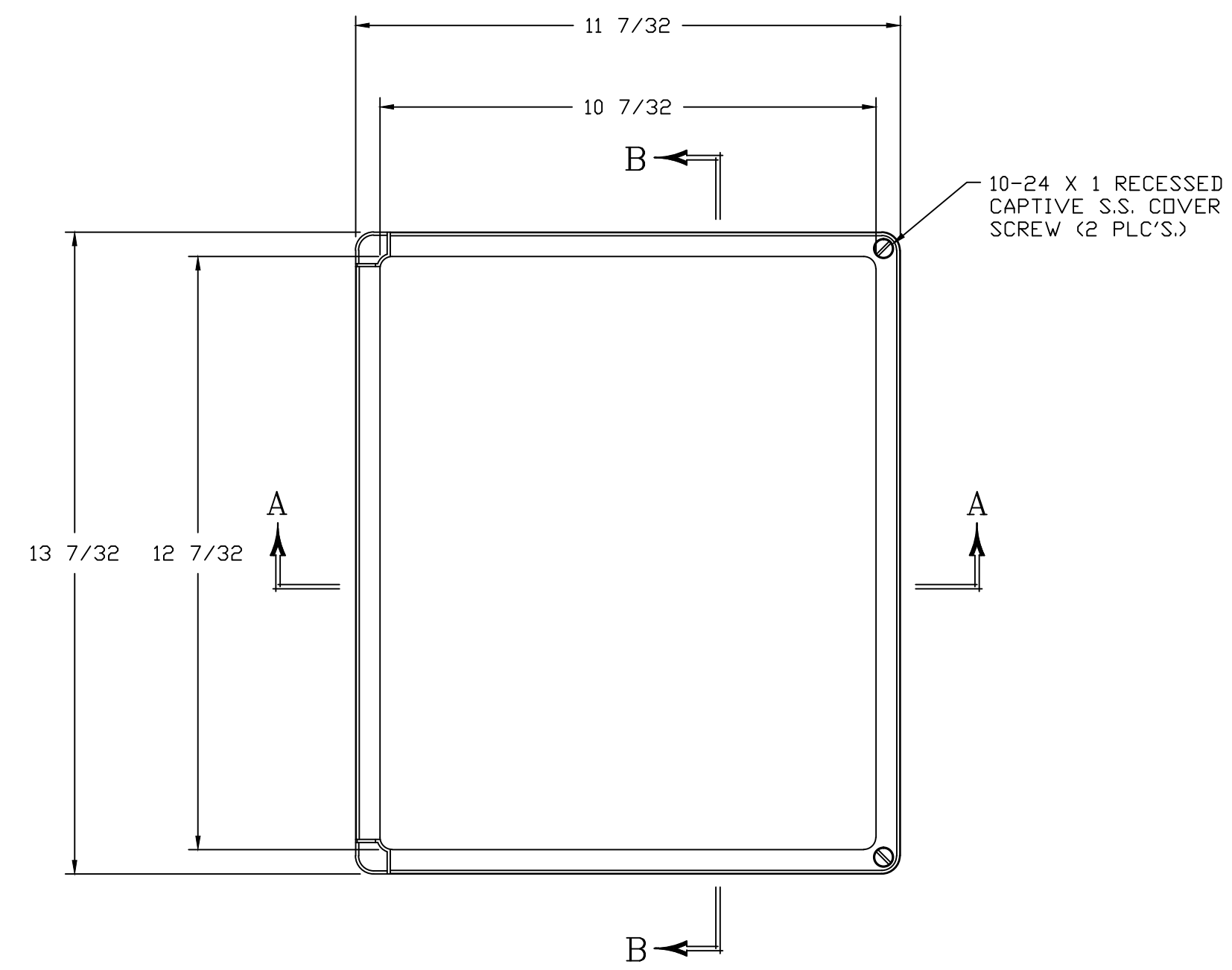
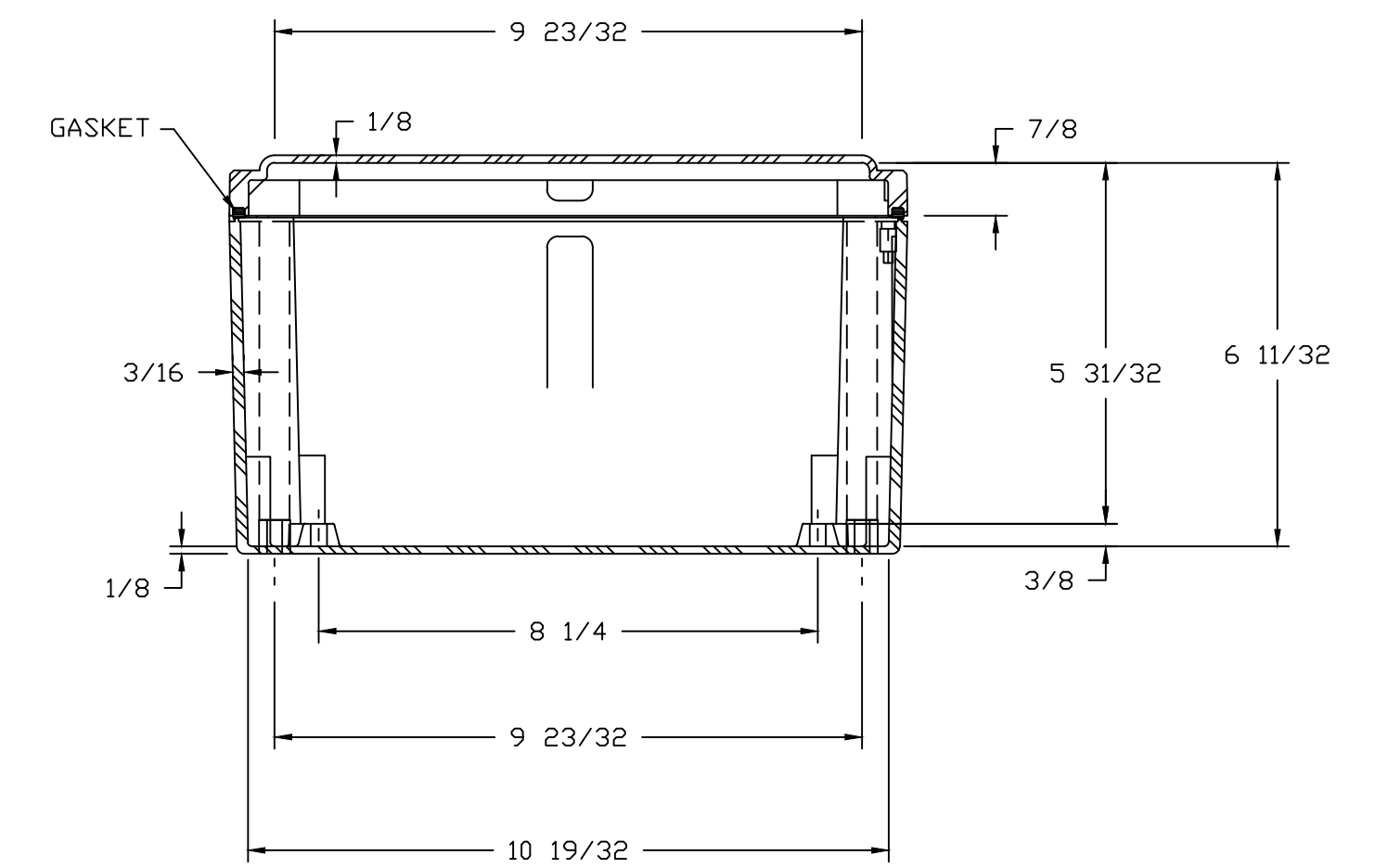
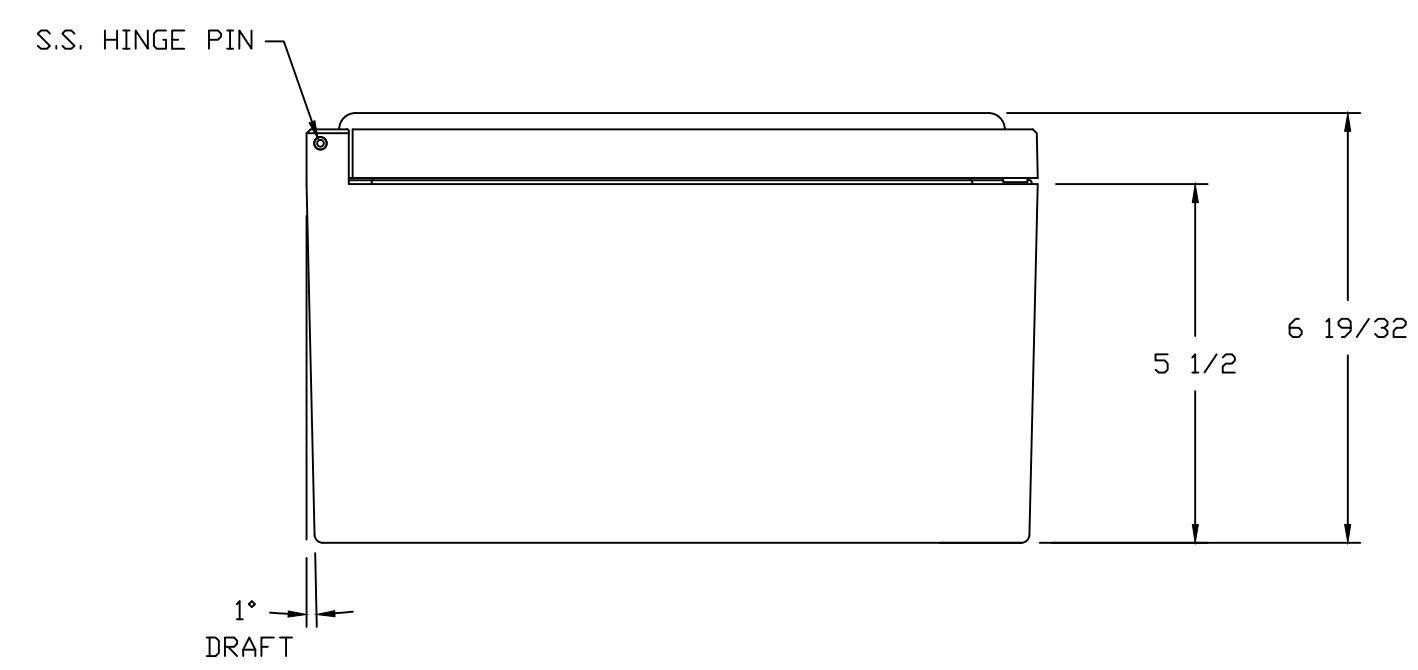


INSIDE VIEW
WITHOUT COVER




SECTION B-B



SECTION A-A

NOTES:

COLOR: GLACIER GRAY RR1013						TOLERANCES UNLESS SPECIFIED		DECIMAL ± .010	FRACTIONAL ± 1/32
MATERIAL: NEMA 4X						DR. BY: GF	DATE: 7/12/96	 BELDING, MICHIGAN 48809	
FR POLYESTER FIBERGLASS						CHK. BY:	DATE:		
LET.	REVISION RECORD			DATE	BY	CHD.	APD. BY:	DATE:	CUSTOMER:
									AutoCAD DWG. FILE: CL1311HW
SCALE: DO NOT SCALE						PART NAME: ENCLOSURE		PART NO.: CL1311HW	