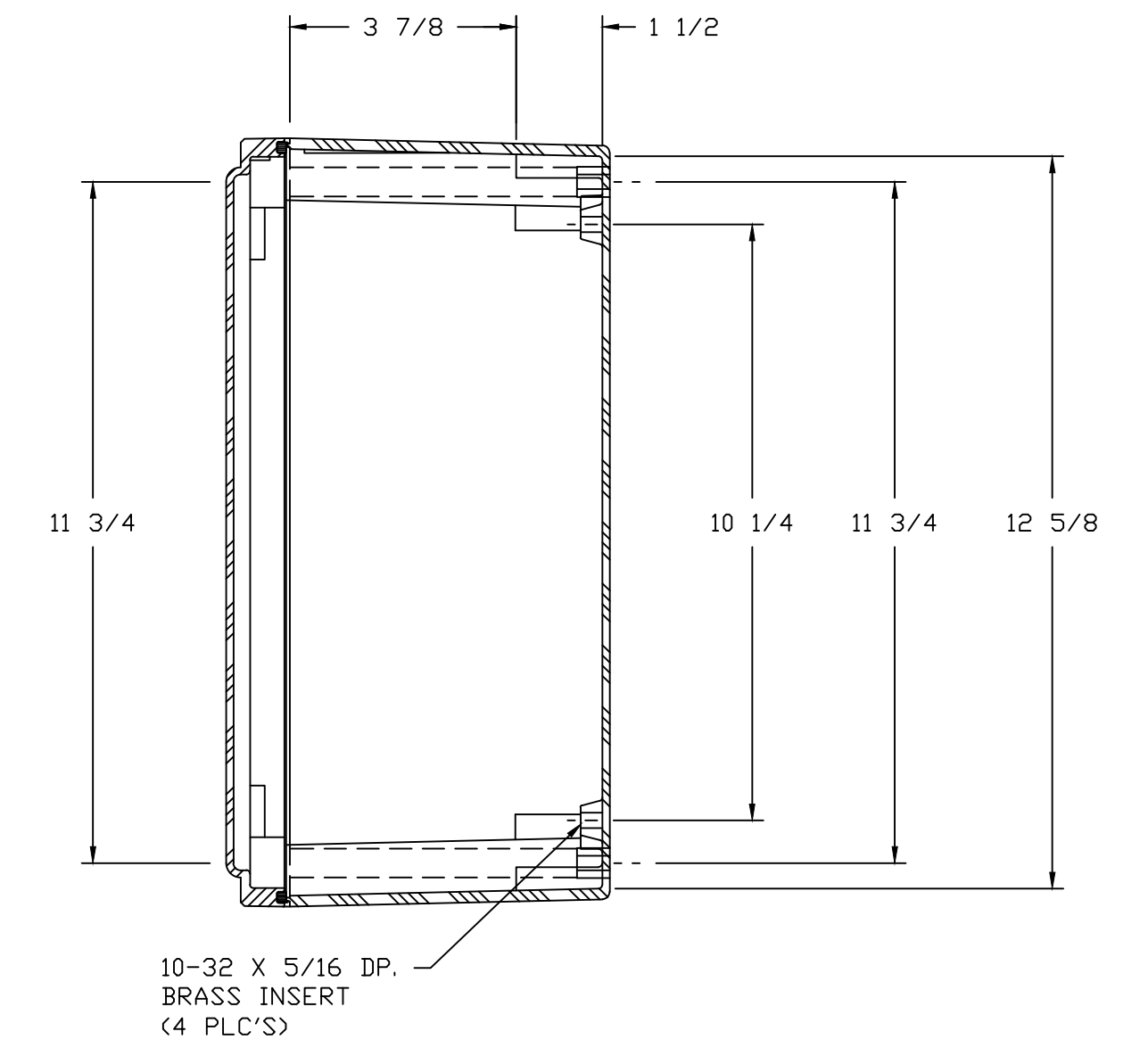
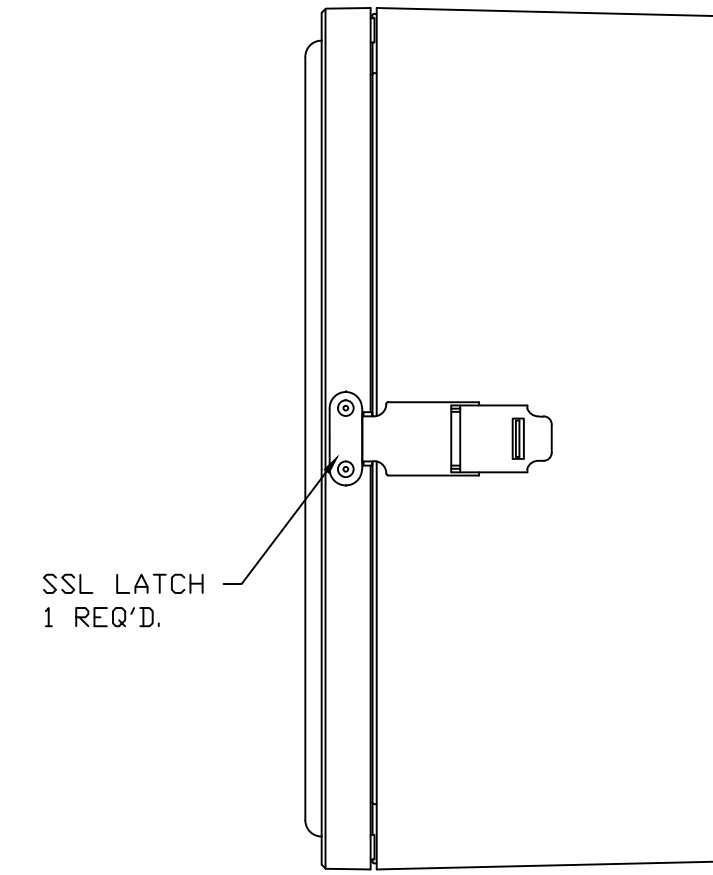
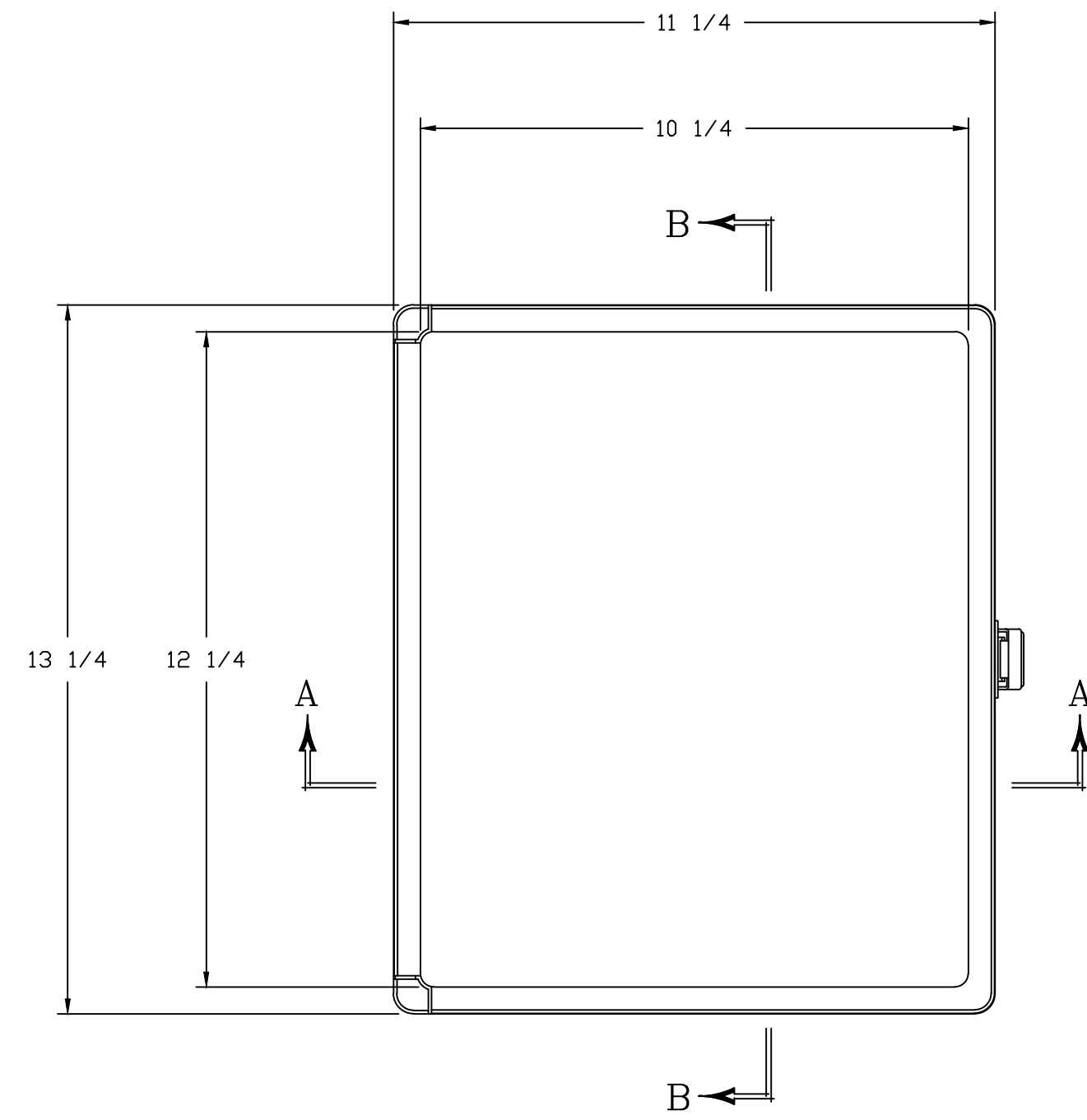
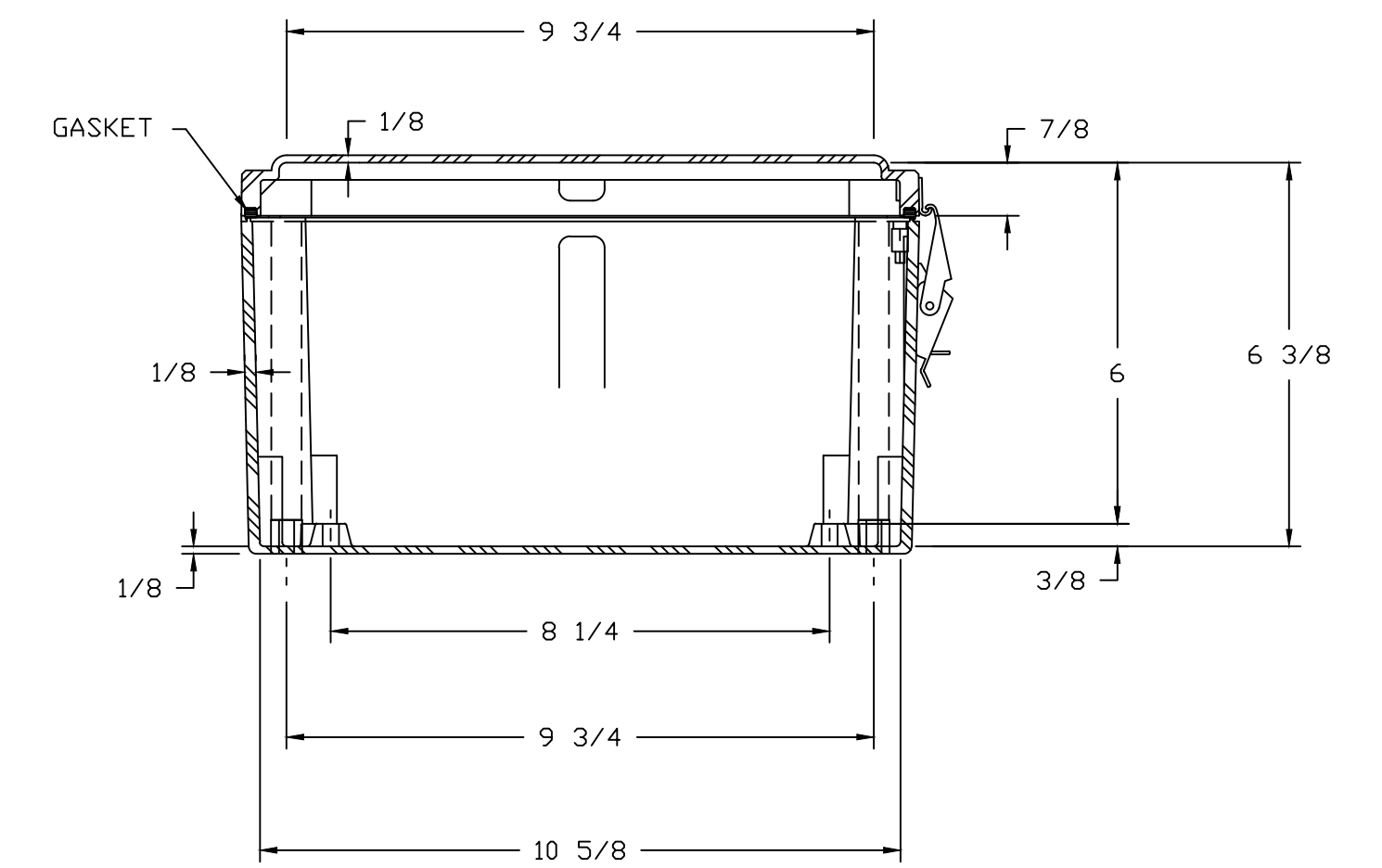
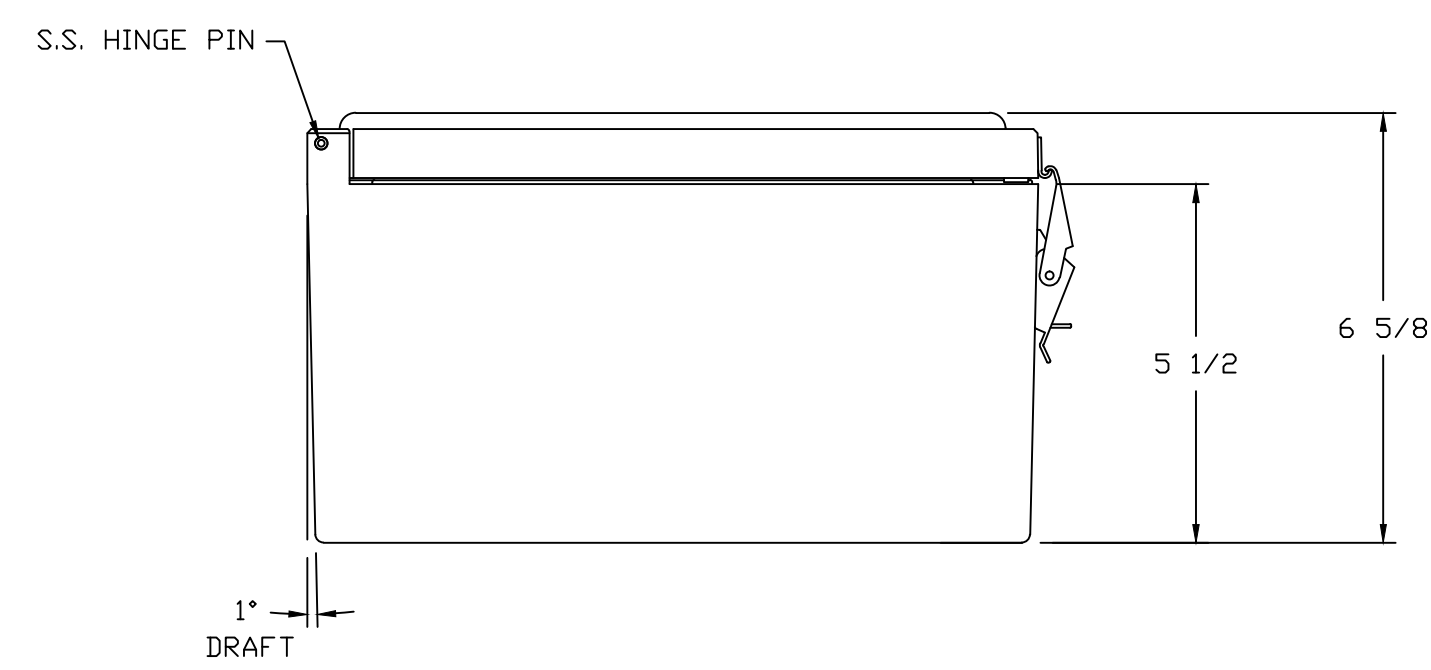


INSIDE VIEW
WITHOUT COVER




SECTION B-B



SECTION A-A

NOTES: ©

NEMA 4X		TOLERANCES UNLESS SPECIFIED		DECIMAL ± .010	FRACTIONAL ± 1/32
MATERIAL: COLDR GLACIER GRAY RR1013					
FR POLYESTER FIBERGLASS		DR. BY GF	DATE 7/12/96	 BELDING, MICHIGAN 48809	
REVISION RECORD		CHK. BY	DATE		
LET.	DATE	BY	CHD.	APD. BY	DATE
SCALE: DO NOT SCALE		PART NAME: ENCLOSURE		PART NO.: CL1311HPL	

AutoCAD DWG. FILE: CL1311HPL