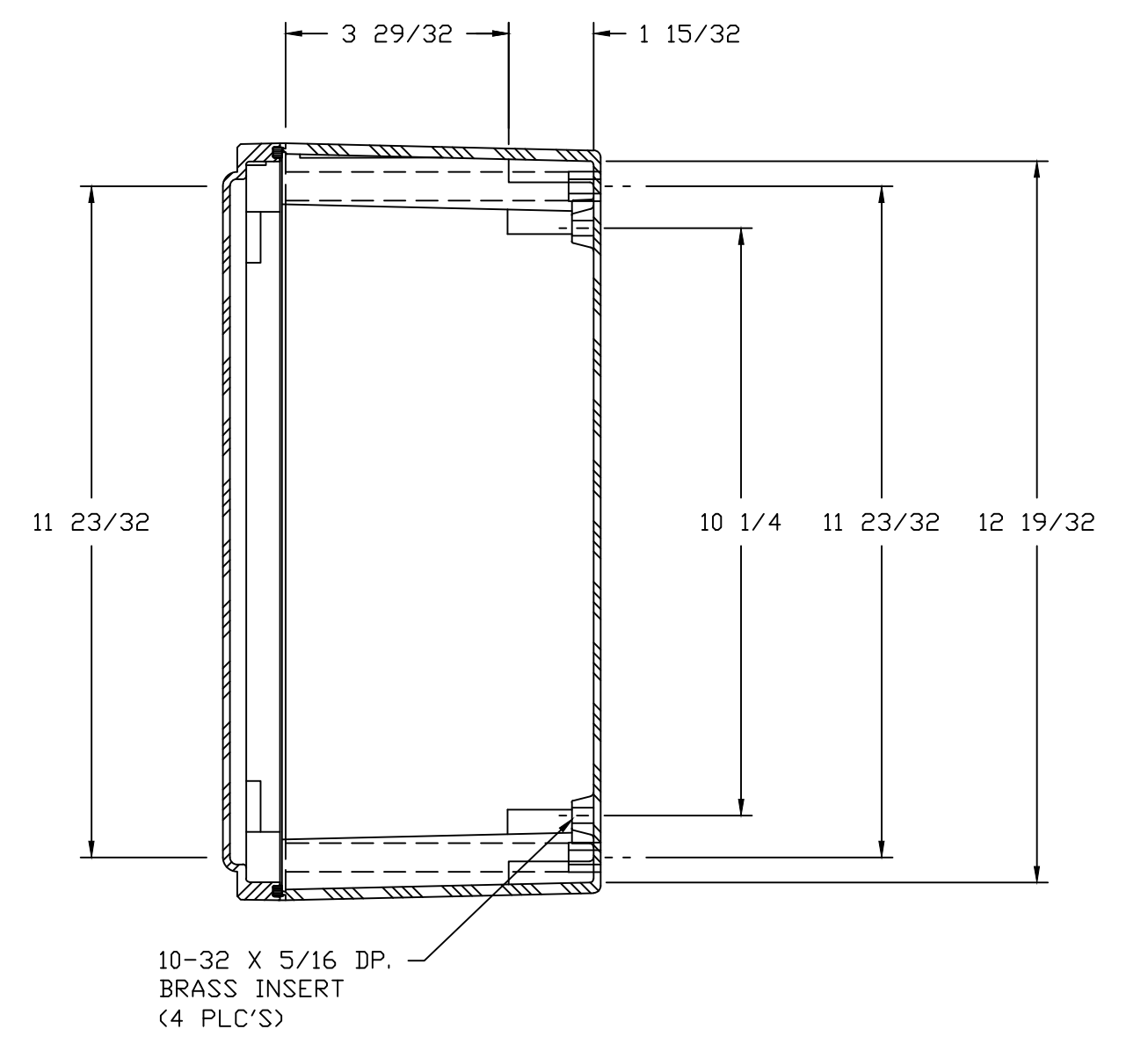
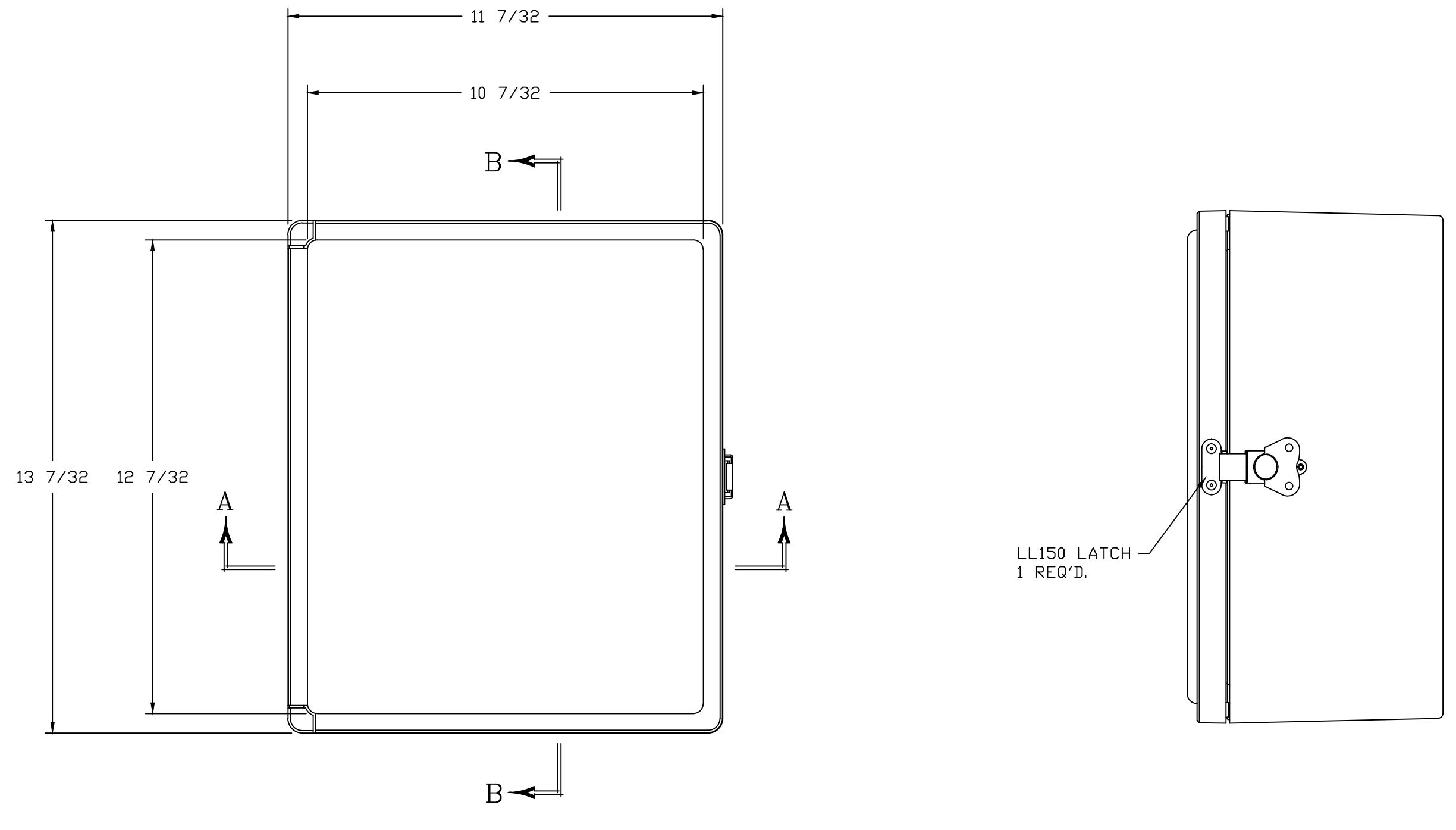
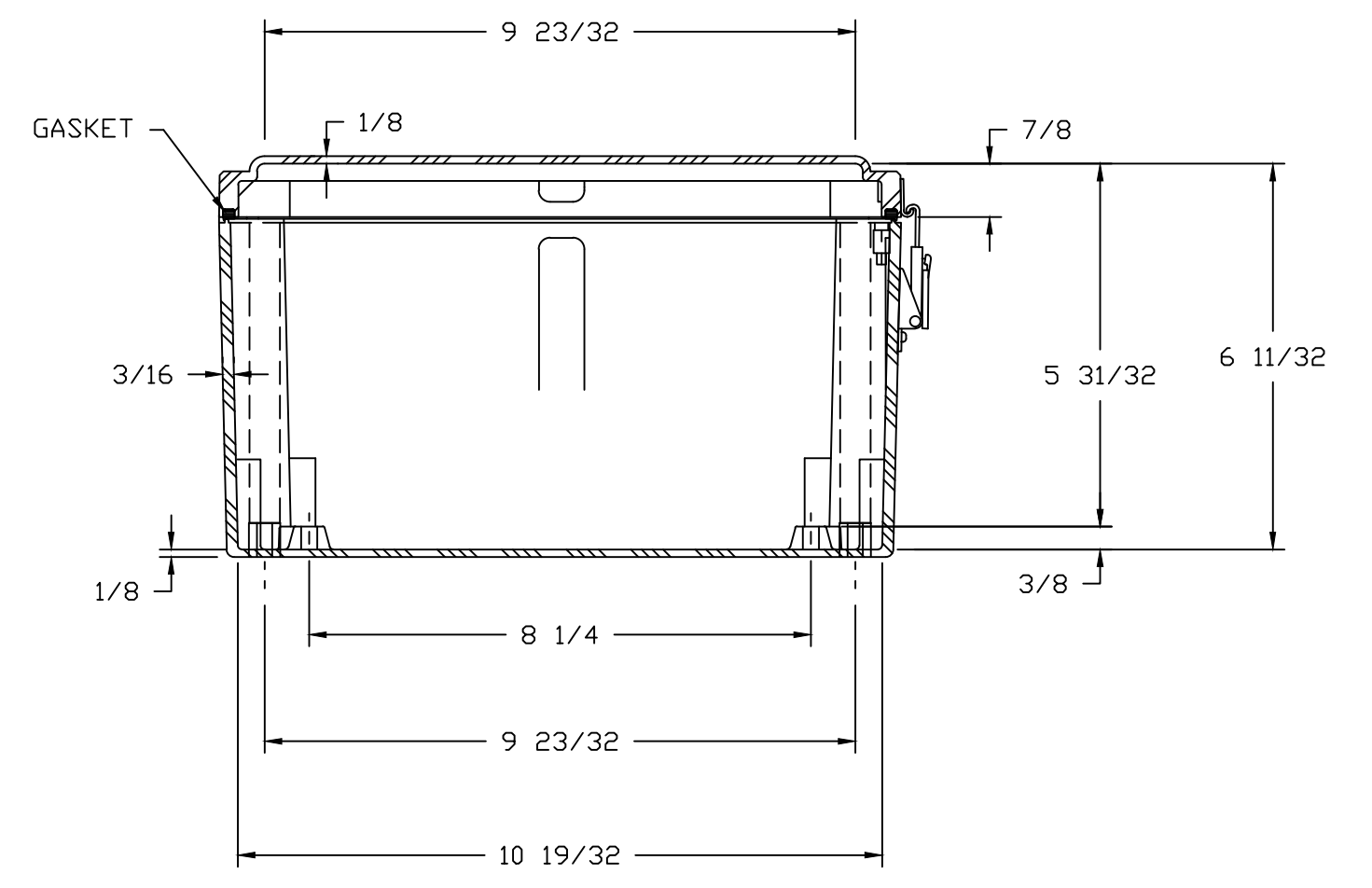
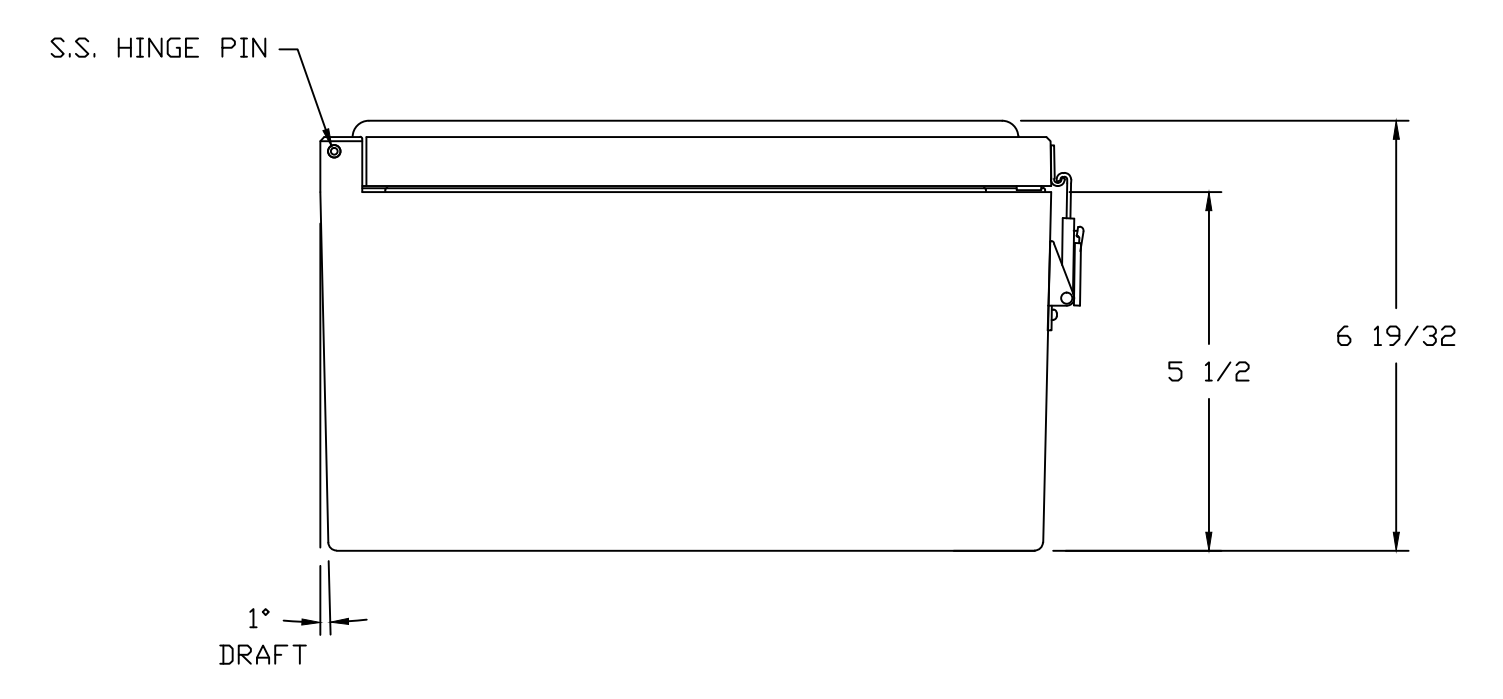


INSIDE VIEW
WITHOUT COVER




SECTION B-B



SECTION A-A

NOTES: ©

NEMA 4X		TOLERANCES UNLESS SPECIFIED		DECIMAL ± .010	FRACTIONAL ± 1/32
MATERIAL COLOR: GLACIER GRAY RR1013					
FR POLYESTER FIBERGLASS		DR. BY GF	DATE 7/12/96	 BELDING, MICHIGAN 48809 DIVISION OF ROBROY INDUSTRIES	
LET.	REVISION RECORD	DATE	BY		
					APD. BY
					DATE
					CUSTOMER
					AUTOCAD DWG. FILE
					CL1311HLL
					SCALE DO NOT SCALE
					PART NAME ENCLOSURE
					PART NO. CL1311HLL