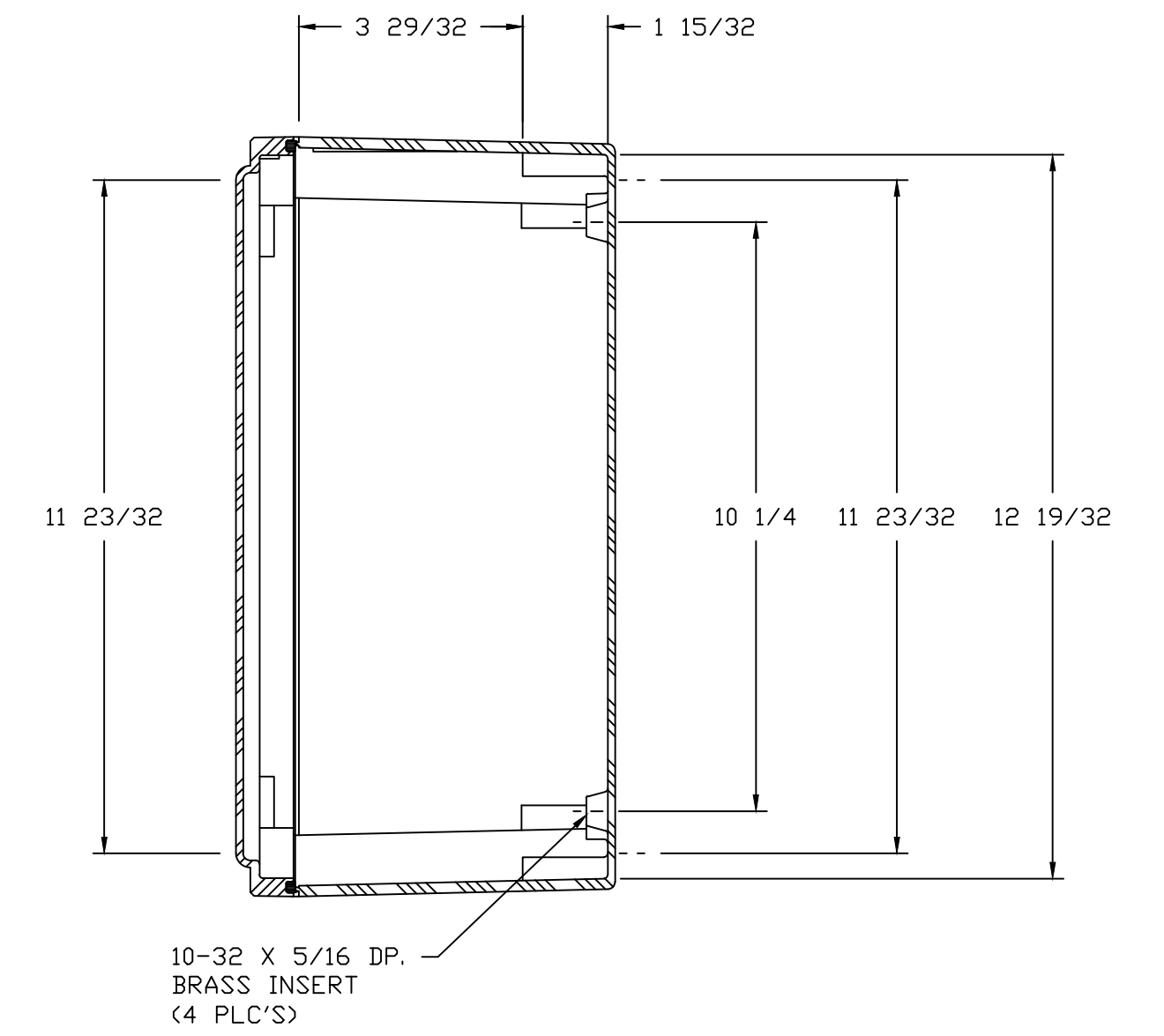
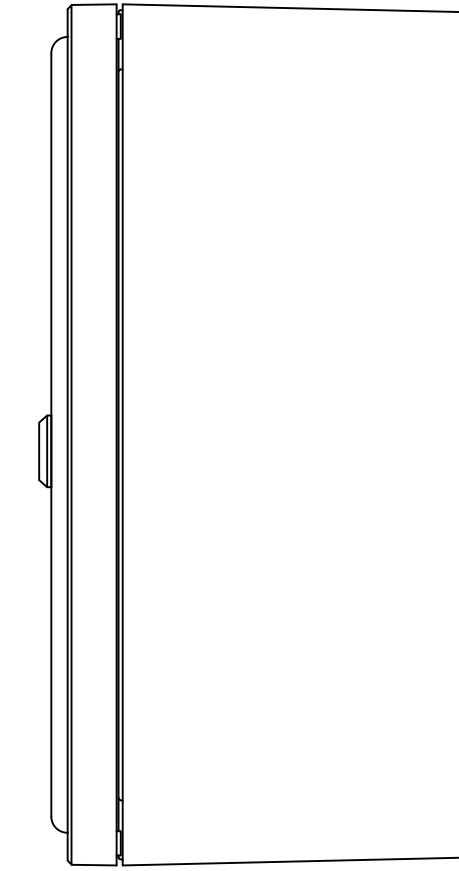
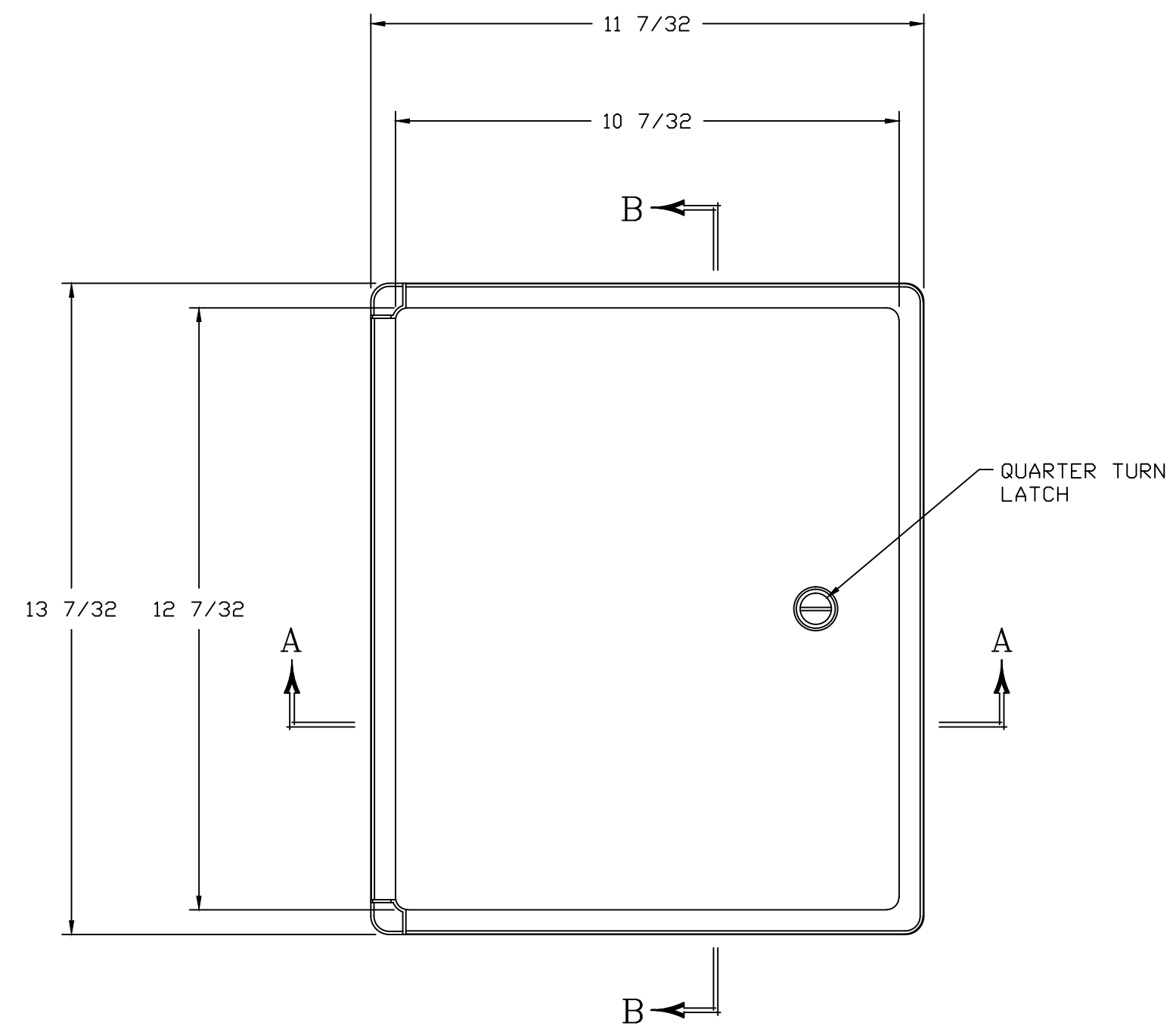
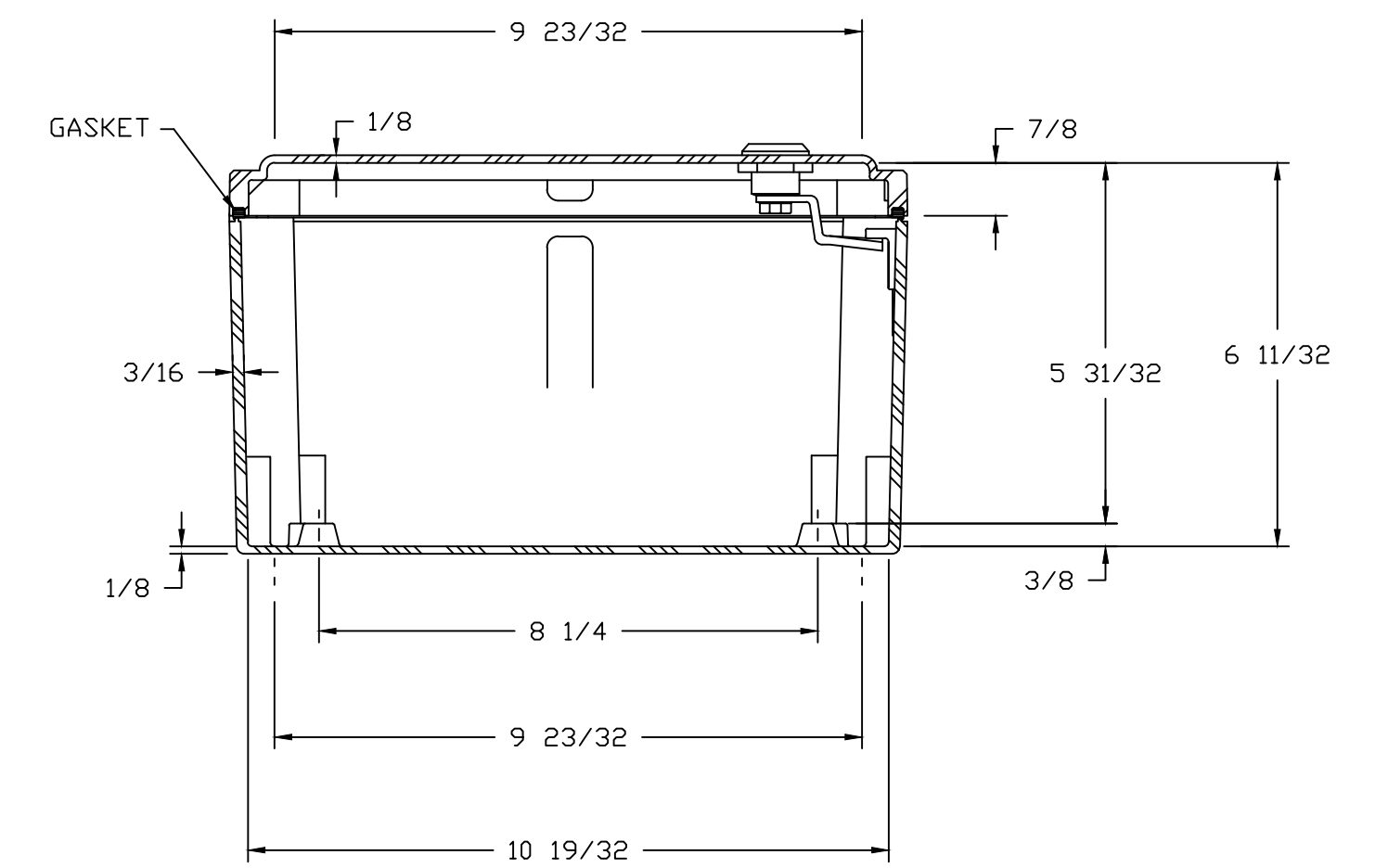
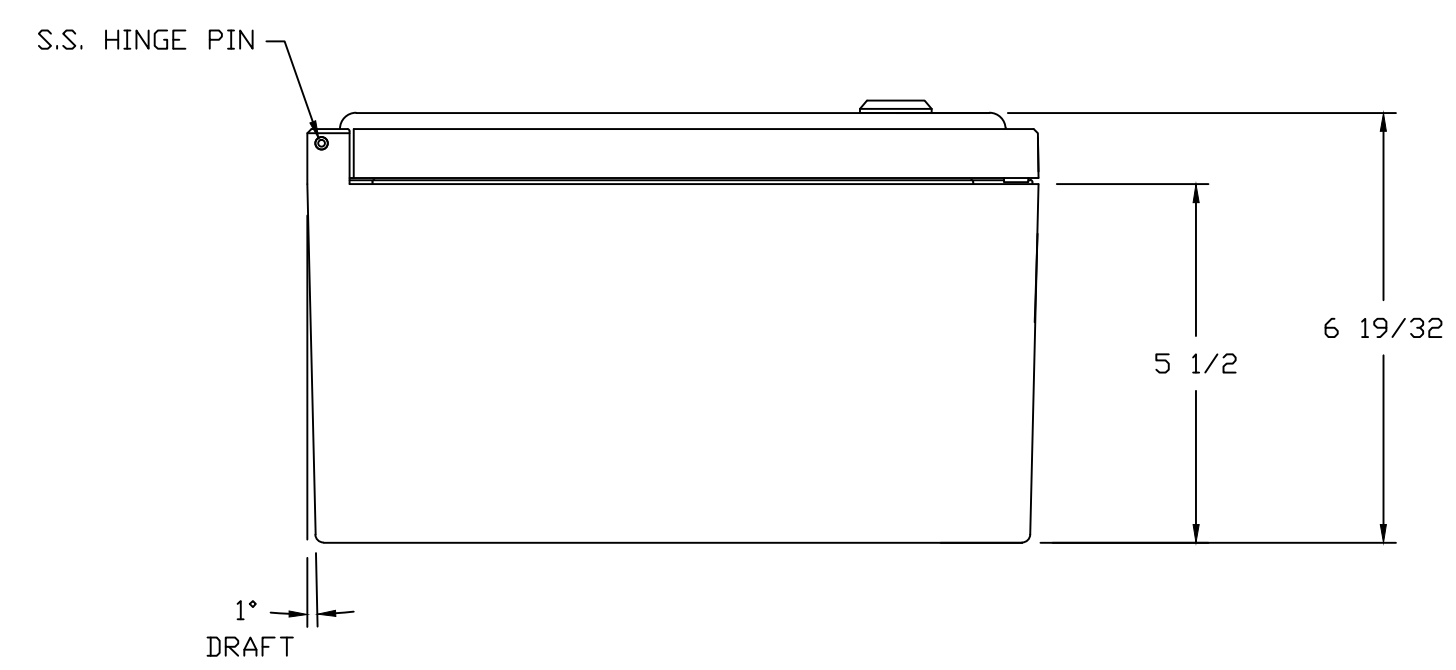


**INSIDE VIEW**  
WITHOUT COVER




**SECTION B-B**



**SECTION A-A**

NOTES:

NEMA 4X		TOLERANCES UNLESS SPECIFIED		DECIMAL ± .010	FRACTIONAL ± 1/32			
MATERIAL: COLD R GLACIER GRAY RR1013								
FR POLYESTER FIBERGLASS		DR. BY GF	DATE 7/12/96	 BELDING, MICHIGAN 48809				
LET.	REVISION RECORD	DATE	BY			CHD.		
					APD. BY	DATE	CUSTOMER	AutoCAD DWG. FILE
					SCALE DO NOT SCALE	PART NAME ENCLOSURE	PART NO. CL1311HL	CL1311HL