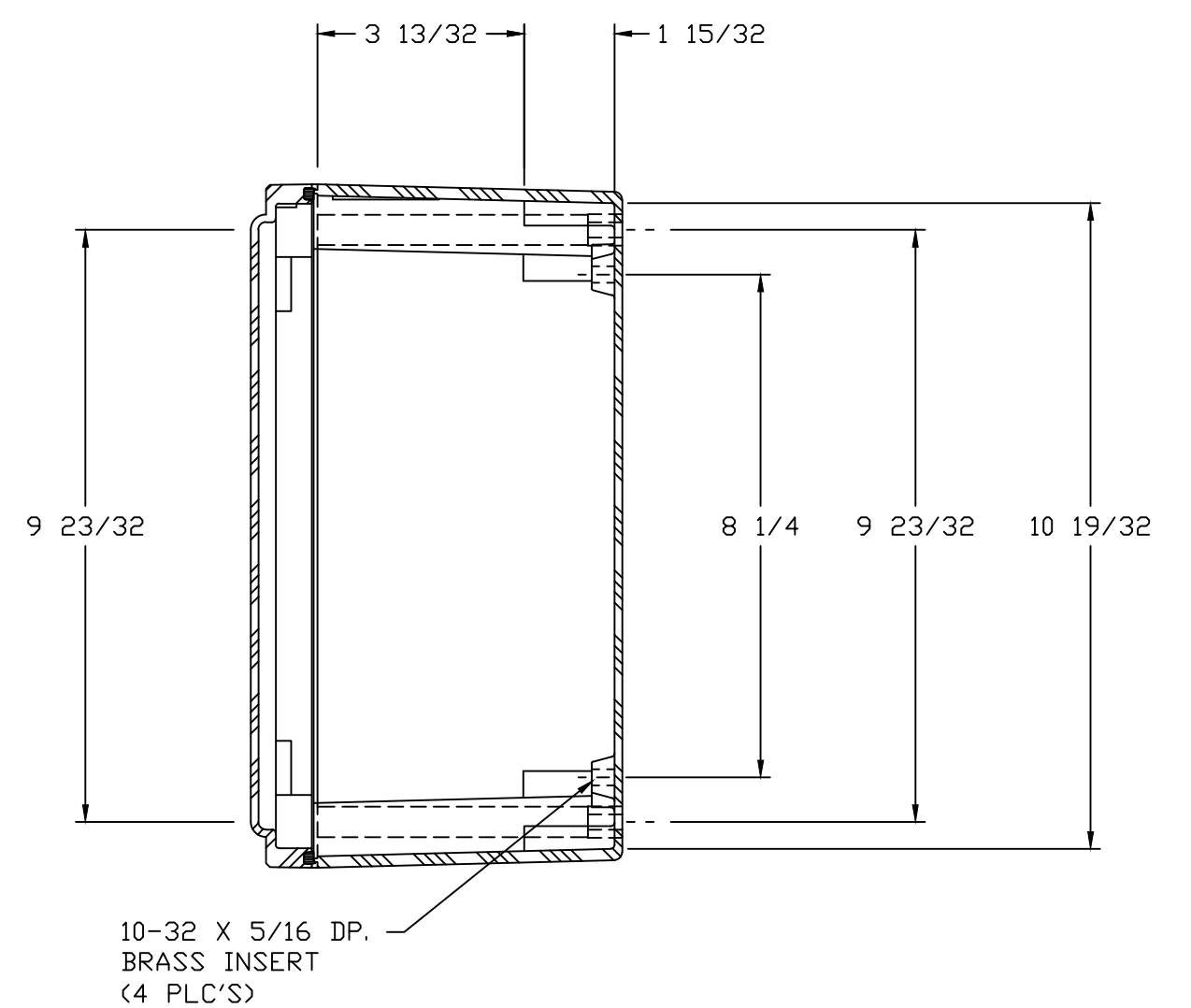
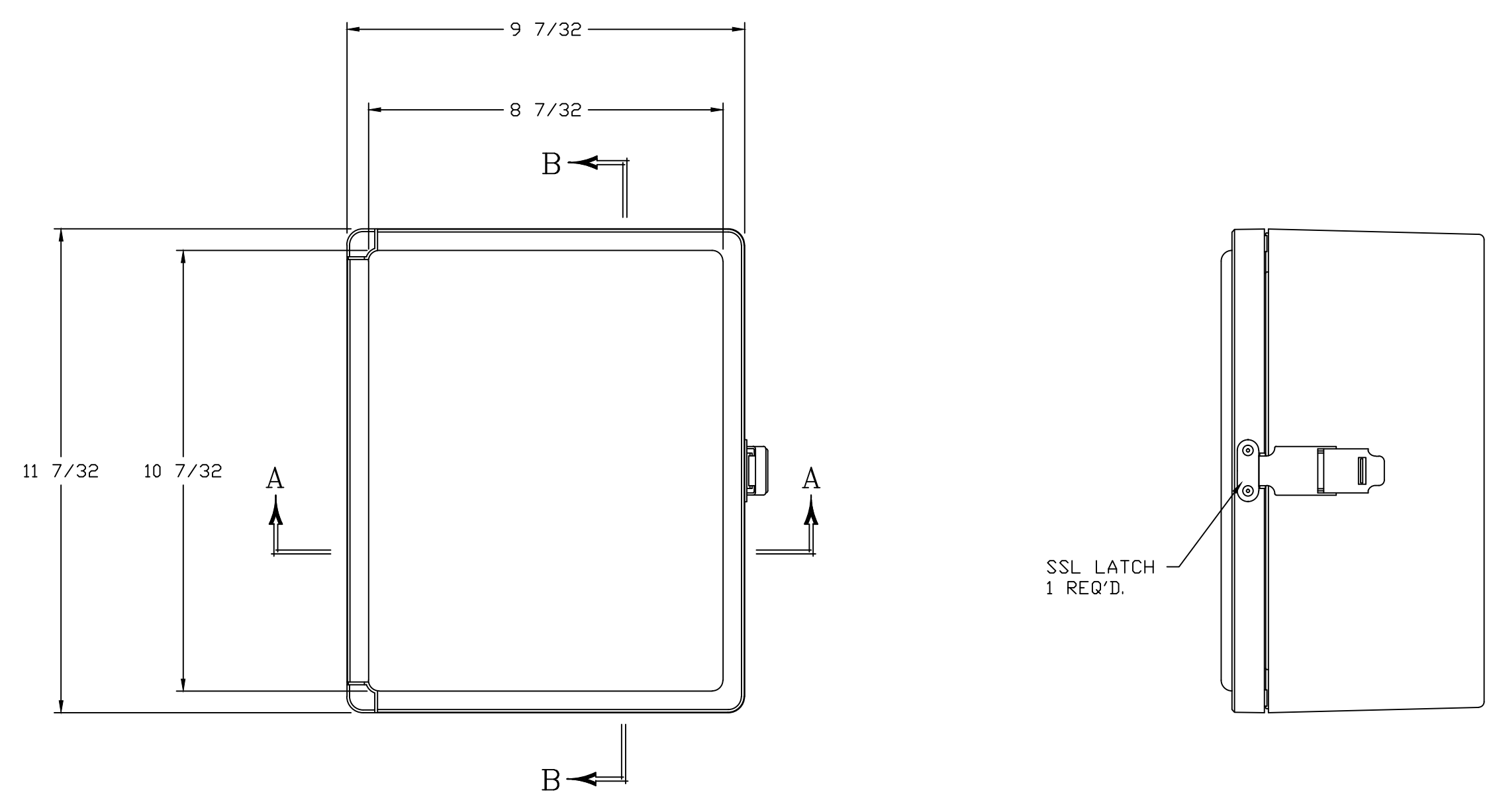
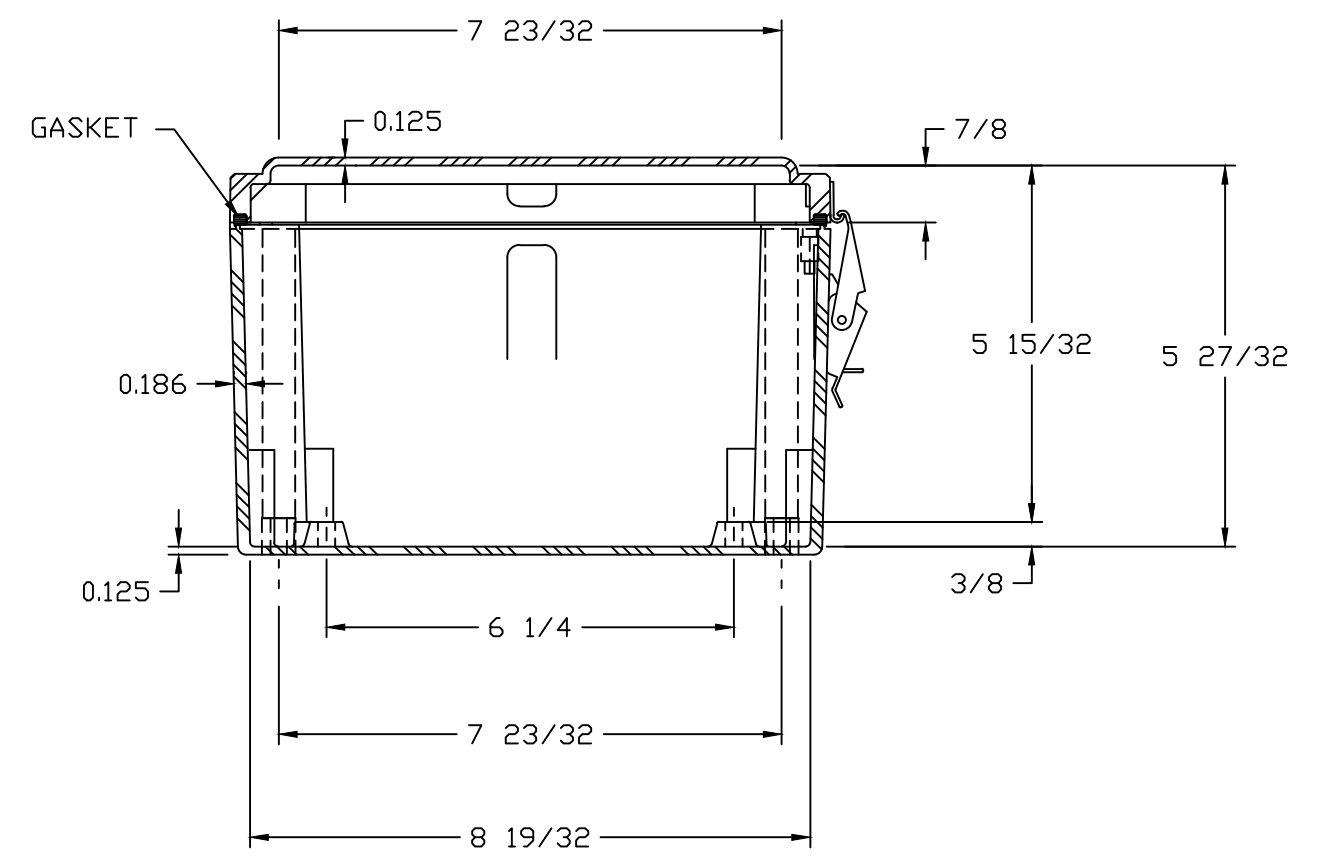
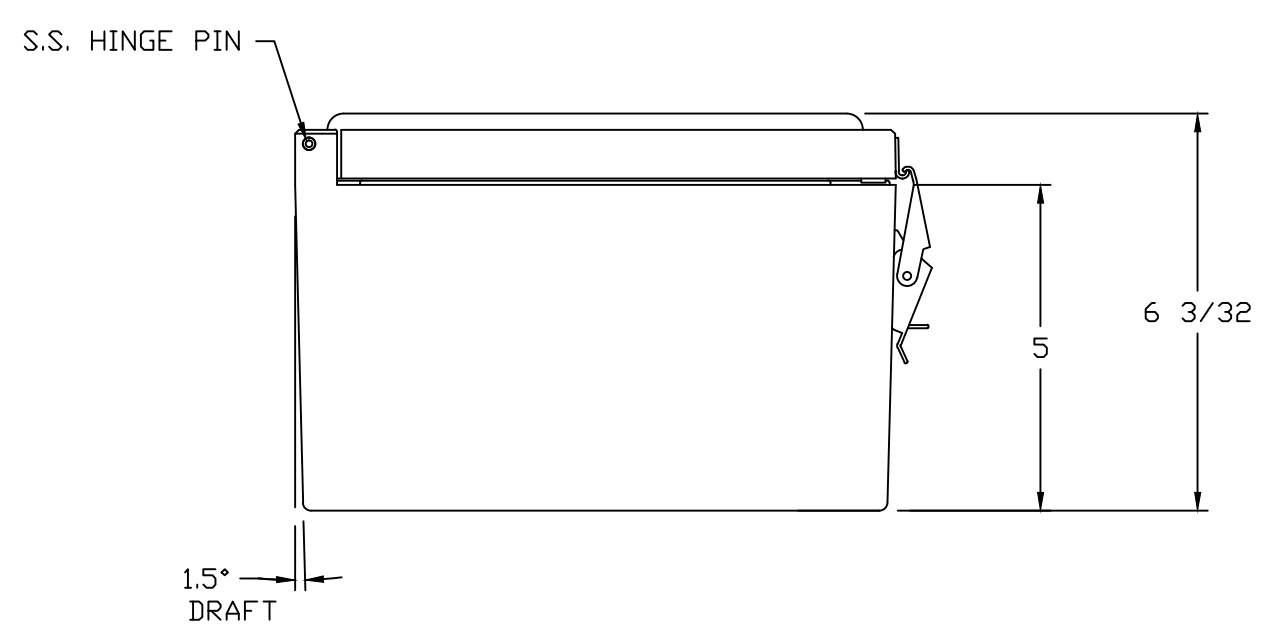


INSIDE VIEW
WITHOUT COVER




SECTION B-B



SECTION A-A

NOTES:

NEMA 4X		TOLERANCES UNLESS SPECIFIED		DECIMAL ± .010	FRACTIONAL ± 1/32
COLOR GLACIER GRAY RR1013					
MATERIAL	F.R. POLYESTER FIBERGLASS	DR. BY	DATE		
LET.	REVISION RECORD	GF	7/12/96	BELDING, MICHIGAN 48809	
	DATE	BY	CHD.	CHK. BY	DATE
				APD. BY	DATE
				SCALE	CUSTOMER
				DO NOT SCALE	PART NAME ENCLOSURE
					PART NO. CL1109HPL
					AutoCAD DWG. FILE CL1109HPL