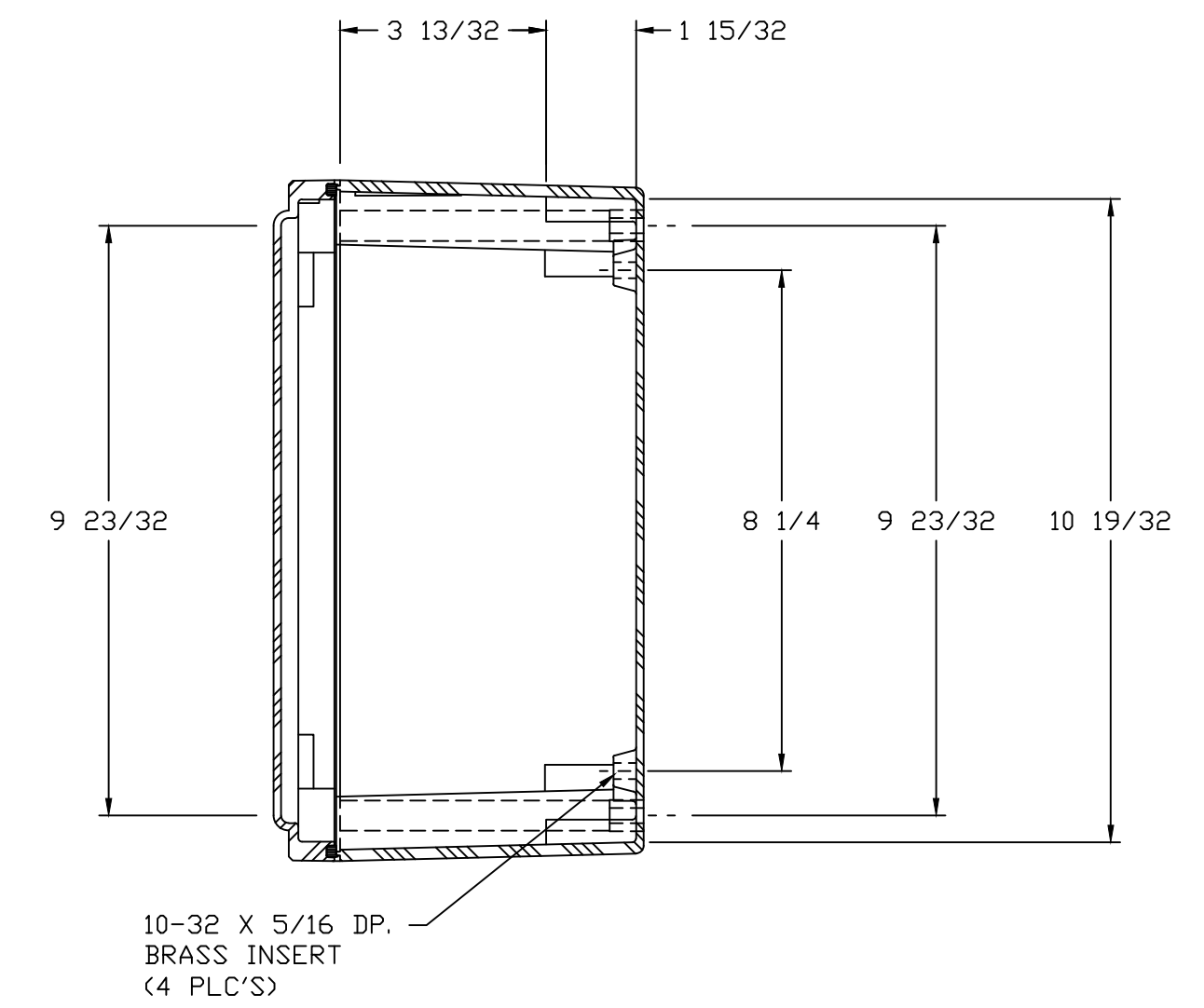
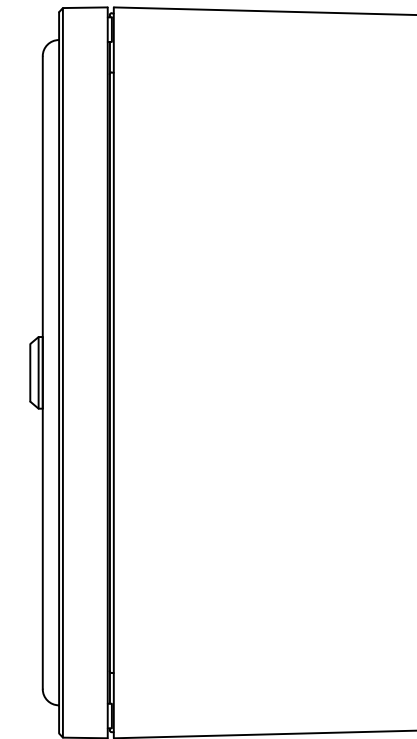
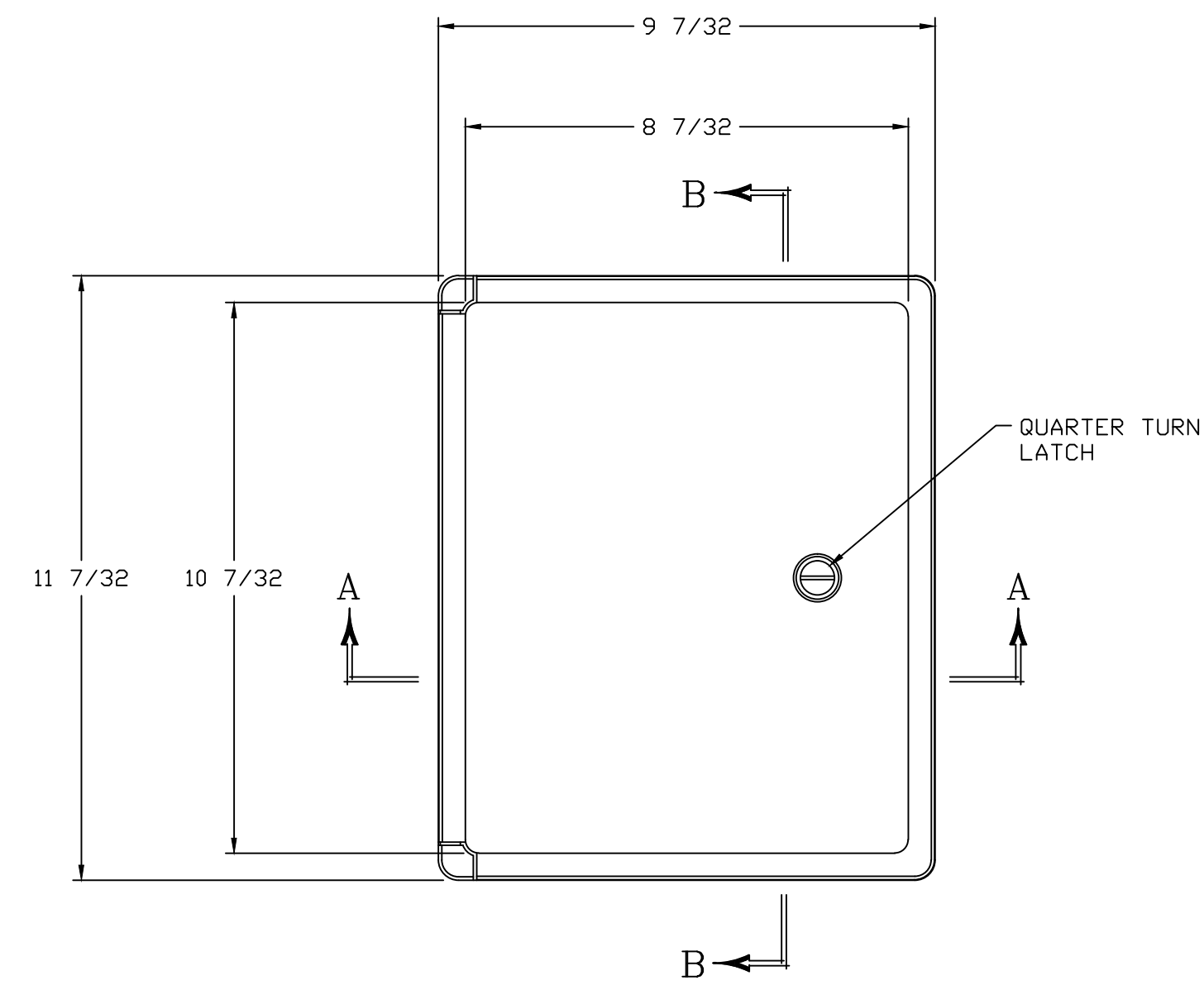
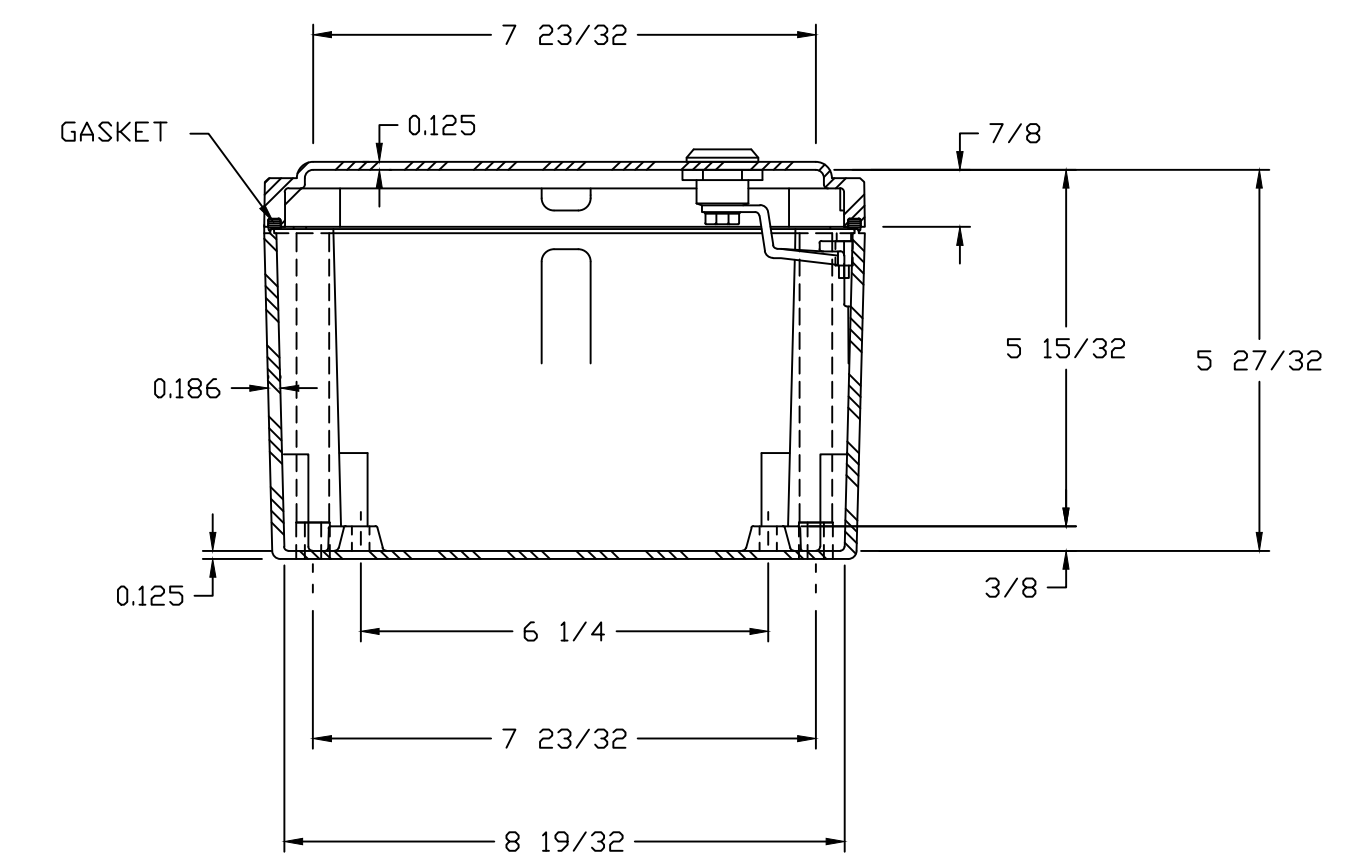
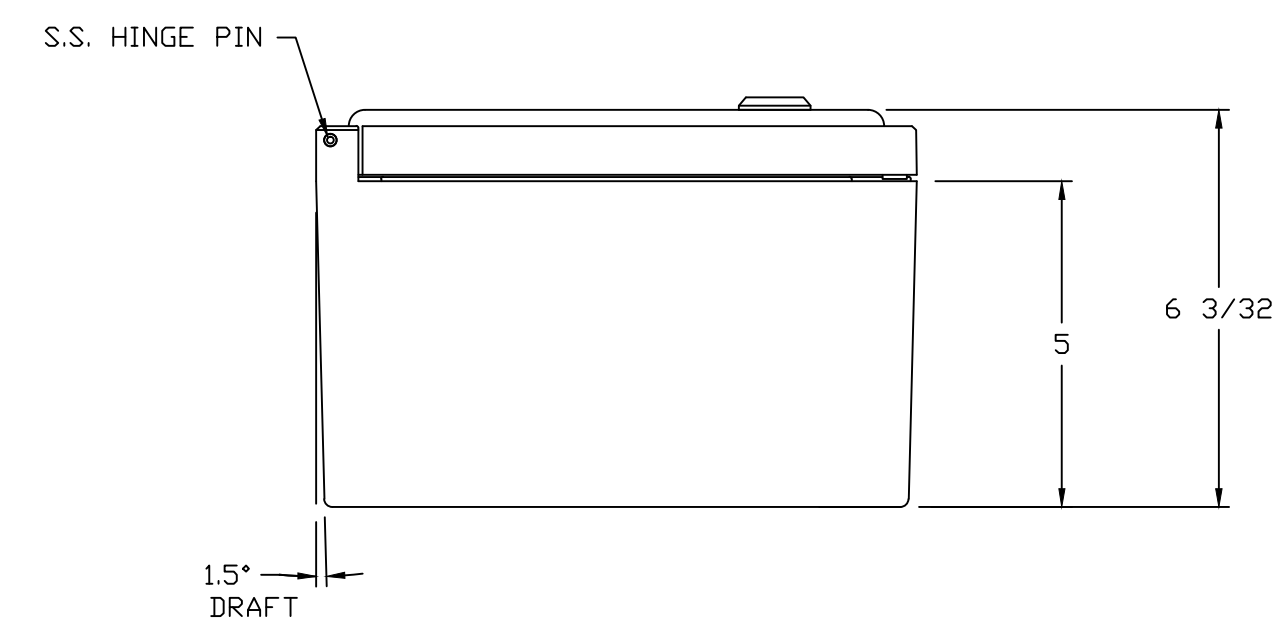


INSIDE VIEW
WITHOUT COVER




SECTION B-B



SECTION A-A

NOTES:

NEMA 4X		TOLERANCES UNLESS SPECIFIED		DECIMAL ± .010	FRACTIONAL ± 1/32
COLOR GLACIER GRAY RR1013					
MATERIAL	F.R. POLYESTER FIBERGLASS	DR. BY	DATE	 BELDING, MICHIGAN 48809	
LET.	REVISION RECORD	GF	7/12/96		
		CHK. BY	DATE	AutoCAD DWG. FILE	
		APD. BY	DATE	CL1109HL	
		SCALE	PART NAME	PART NO.	CL1109HL
		DO NOT SCALE	ENCLOSURE		