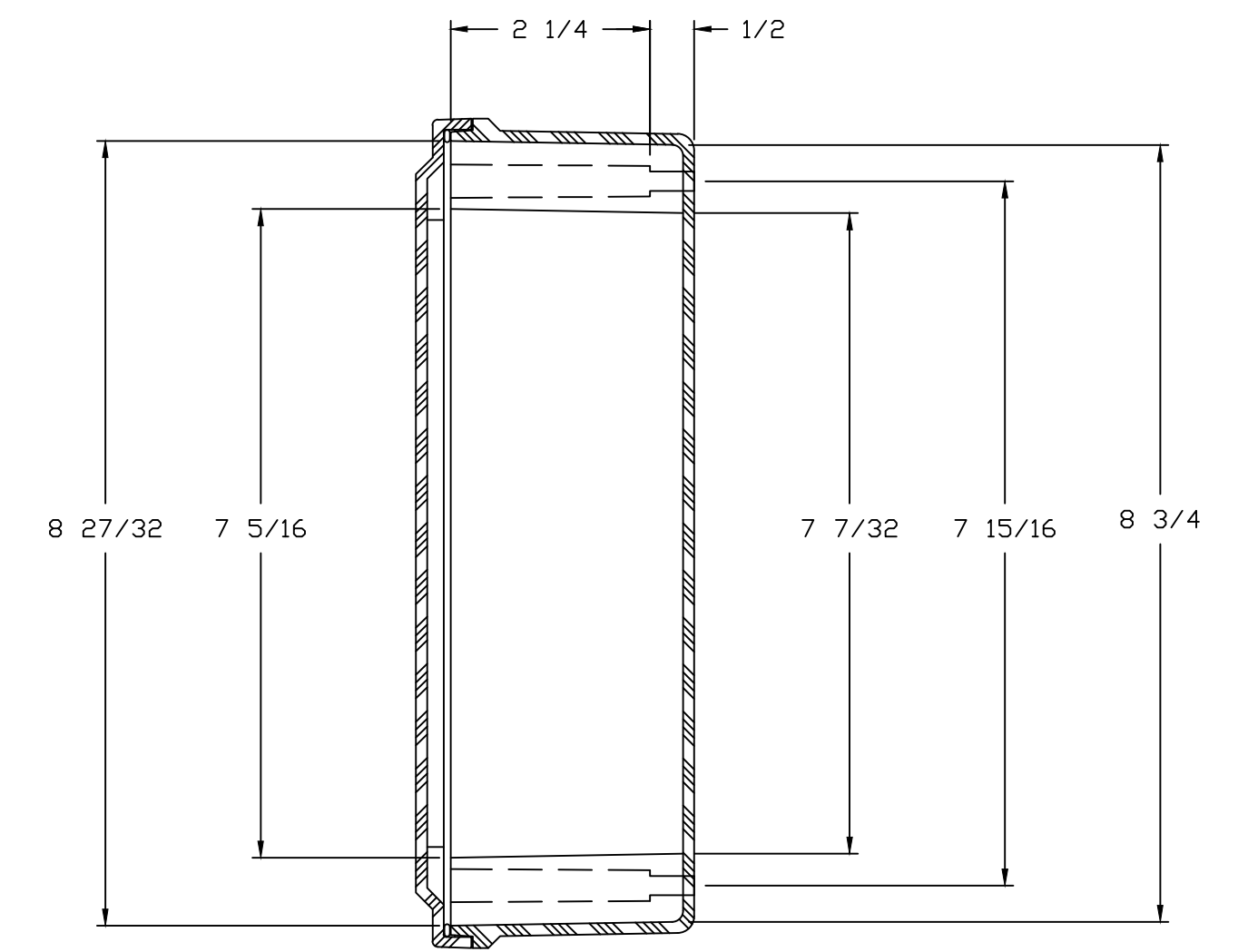
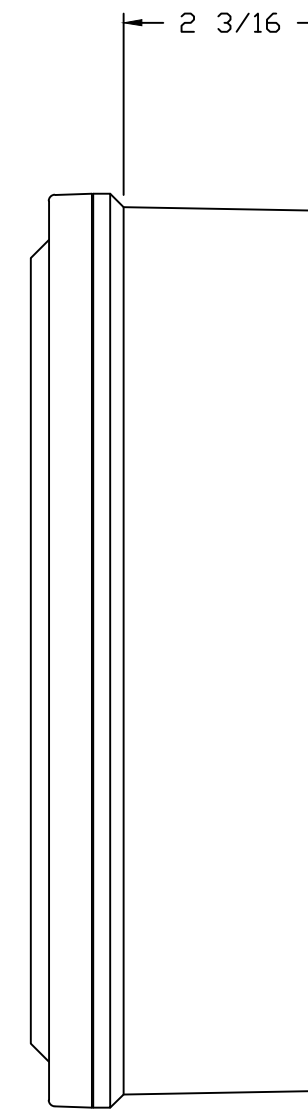
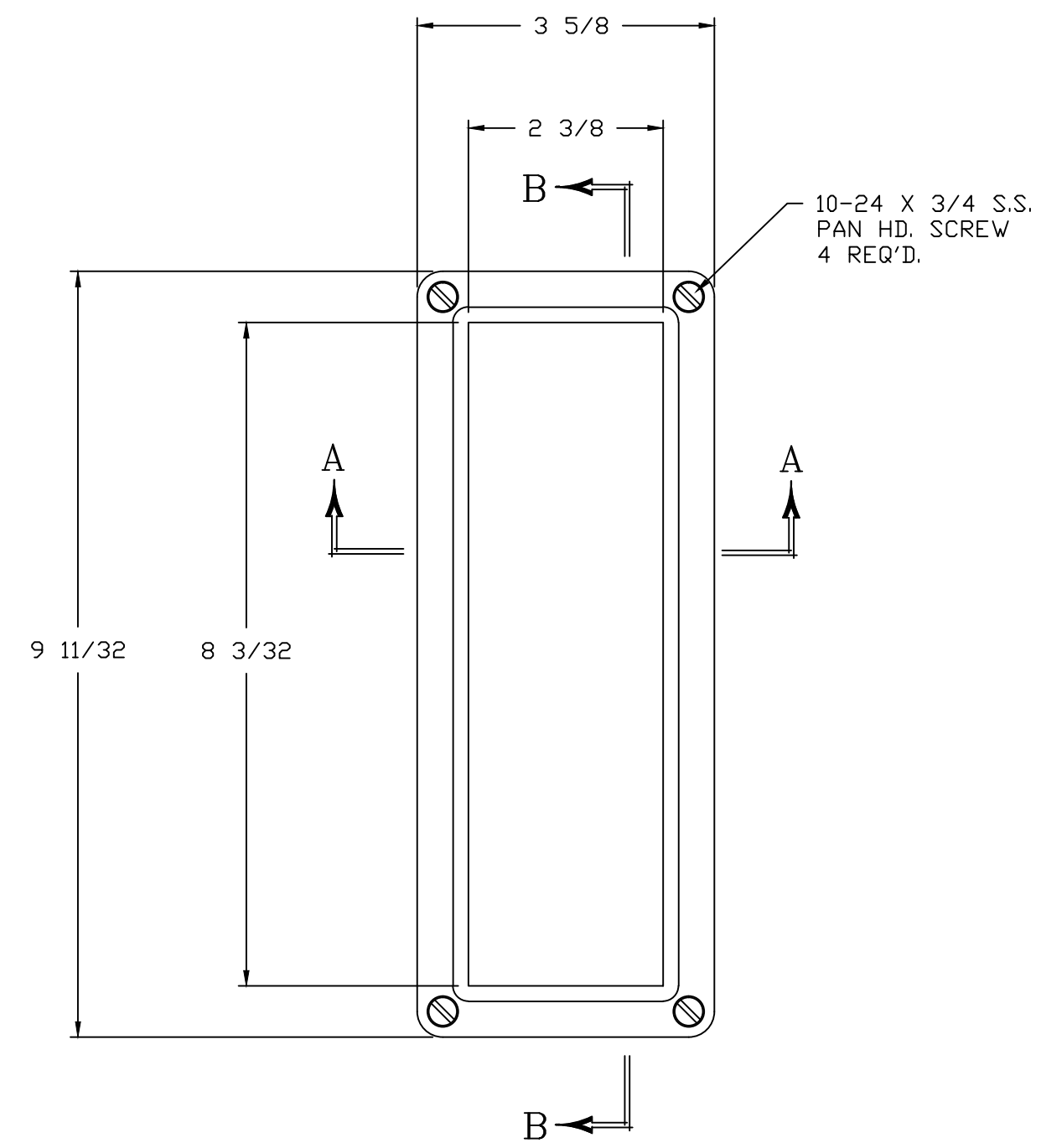
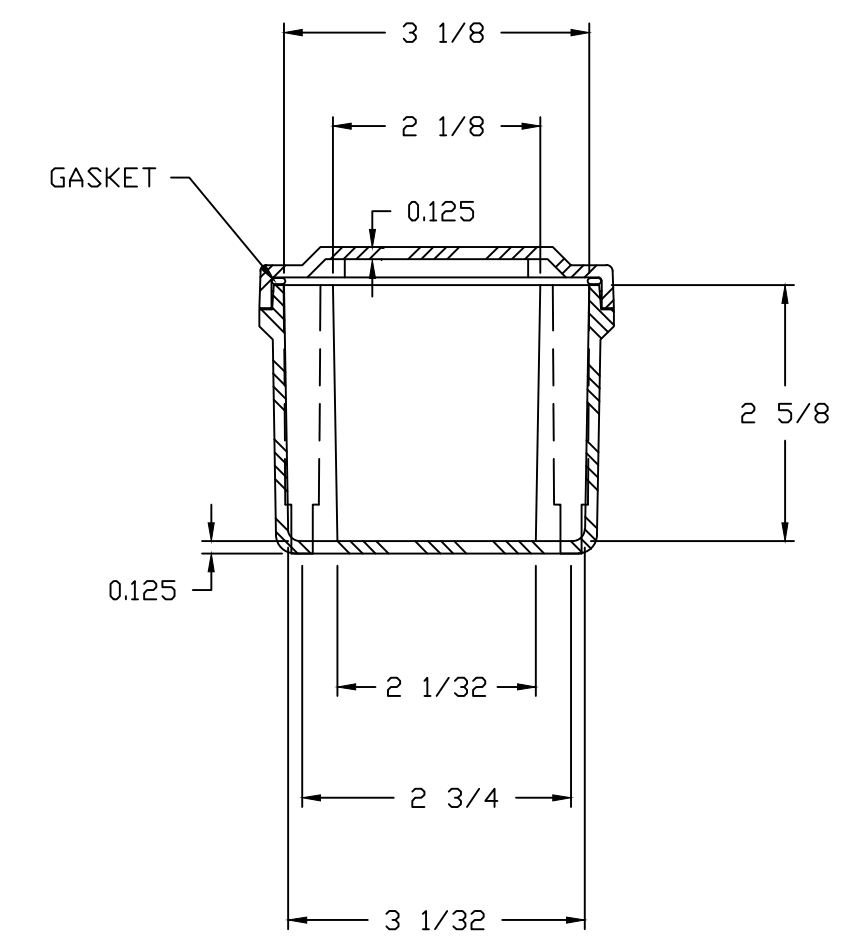
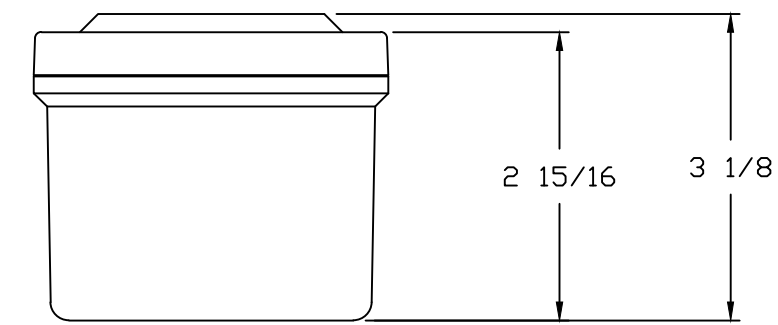



TOP VIEW
WITHOUT COVER



SECTION B-B



SECTION A-A

NEMA 4X						TOLERANCES UNLESS SPECIFIED		DECIMAL ± .010	FRACTIONAL ± 1/32
COLOR: GLACIER GRAY (RR1013)									
MATERIAL: F.R. POLYESTER FIBERGLASS				DR. BY: GF	DATE: 7/23/93	 BELDING, MICHIGAN 48809 AutoCAD DWG. FILE CF932			
LET.	REVISION RECORD	DATE	BY	CHD.	CHK. BY				
					APD. BY	DATE	CUSTOMER		
SCALE: DO NOT SCALE						PART NAME: ENCLOSURE		PART NO.: CF932	