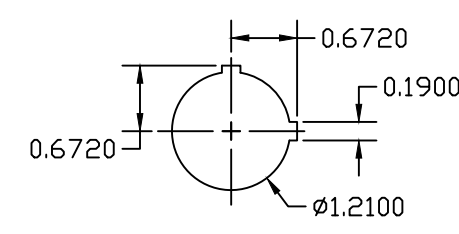
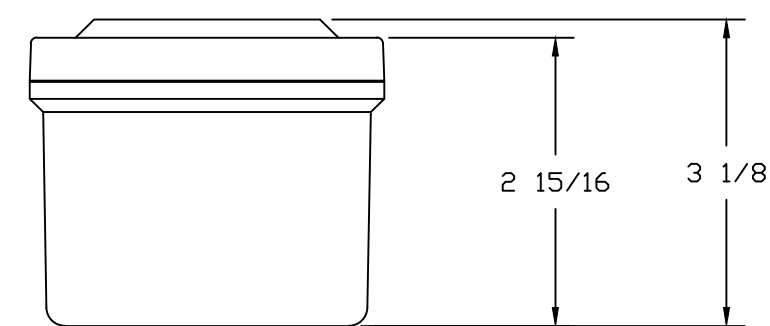
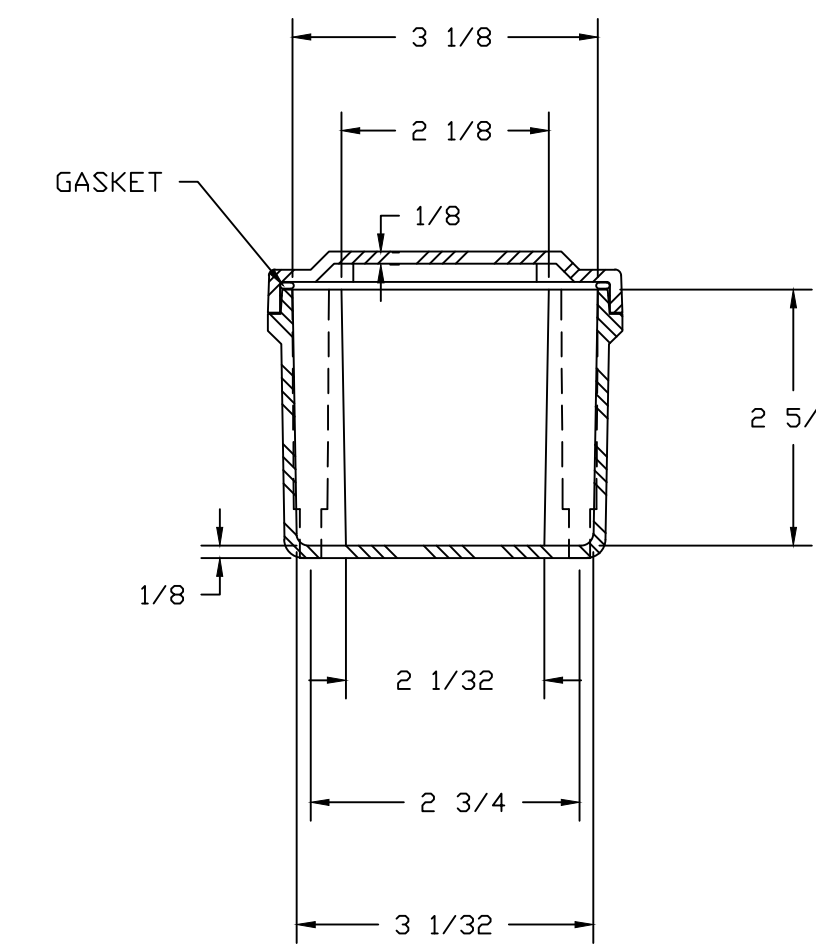


SECTION B-B



DETAIL A



SECTION A-A

NOTES:

NEMA 4X COLOR: GLACIER GRAY RR1013				TOLERANCES UNLESS SPECIFIED		DECIMAL ± .010	FRACTIONAL ± 1/32
GROUND STRAP TO BE FURNISHED WITH ENCLOSURE							
MATERIAL	DR. BY	DATE	SH	DATE			
F.R. POLYESTER FIBERGLASS	SH	7/16/91	SH	7/16/91			
LET.	REVISION RECORD	DATE	BY	CHD.	APD. BY	DATE	CUSTOMER
							AutoCAD DWG. FILE
							CF6PB
					SCALE DO NOT SCALE	PART NAME ENCLOSURE	PART NO. CF6PB