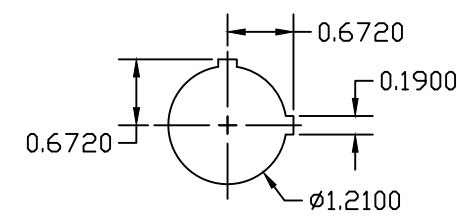
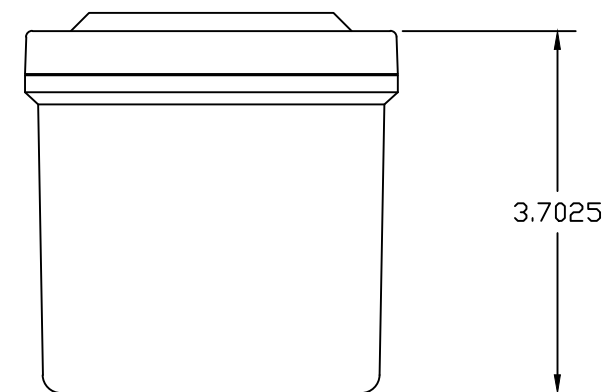
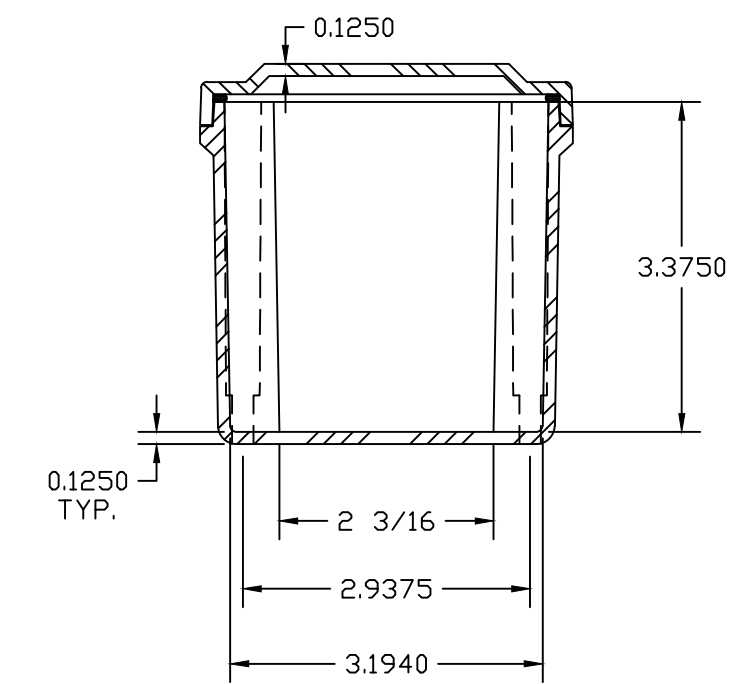


SECTION B-B



DETAIL A



SECTION A-A

NOTES:

NEMA 4X COLOR: GLACIER GRAY RR1013		TOLERANCES UNLESS SPECIFIED		DECIMAL ± .010	FRACTIONAL ± 1/32
GROUND STRAP TO BE FURNISHED WITH ENCLOSURE					
MATERIAL	F.R. POLYESTER FIBERGLASS	DR. BY	SH	DATE	7/16/91
LET.	REVISION RECORD	DATE	BY	CHK. BY	DATE
				APD. BY	DATE
				SCALE	DO NOT SCALE
PART NAME ENCLOSURE			PART NO. CF 4PB		AutoCAD DWG. FILE



BELDING, MICHIGAN 48809

CF 4PB