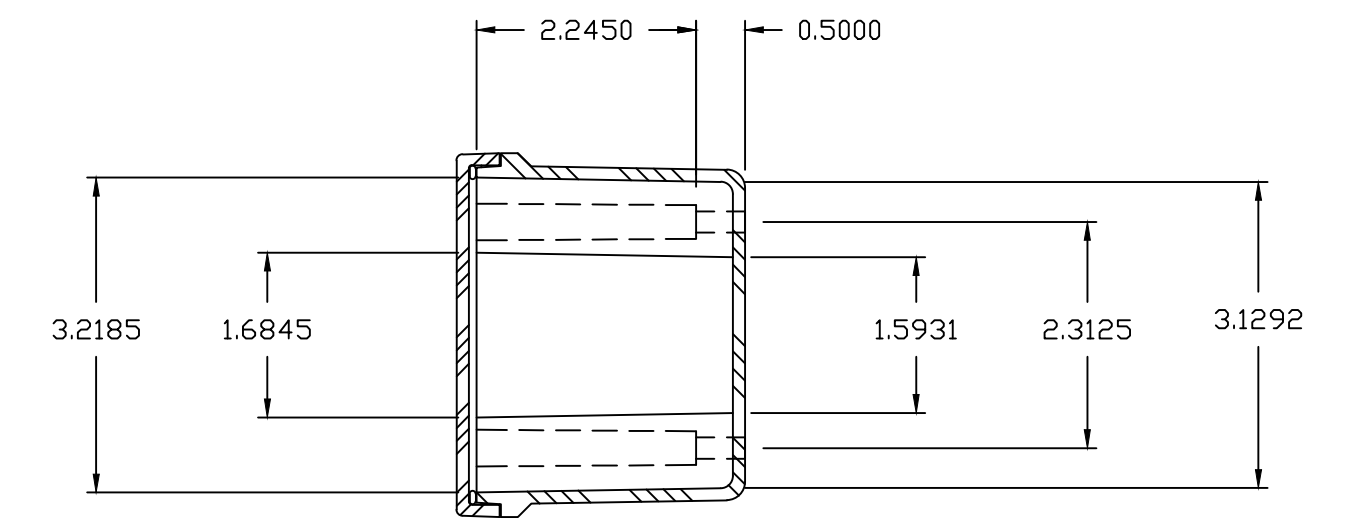
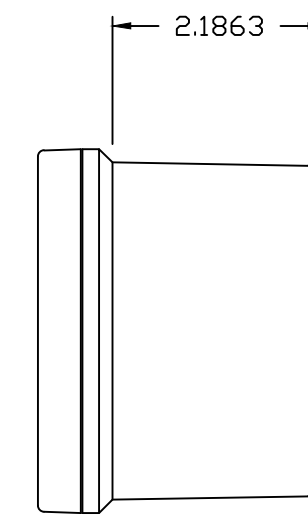
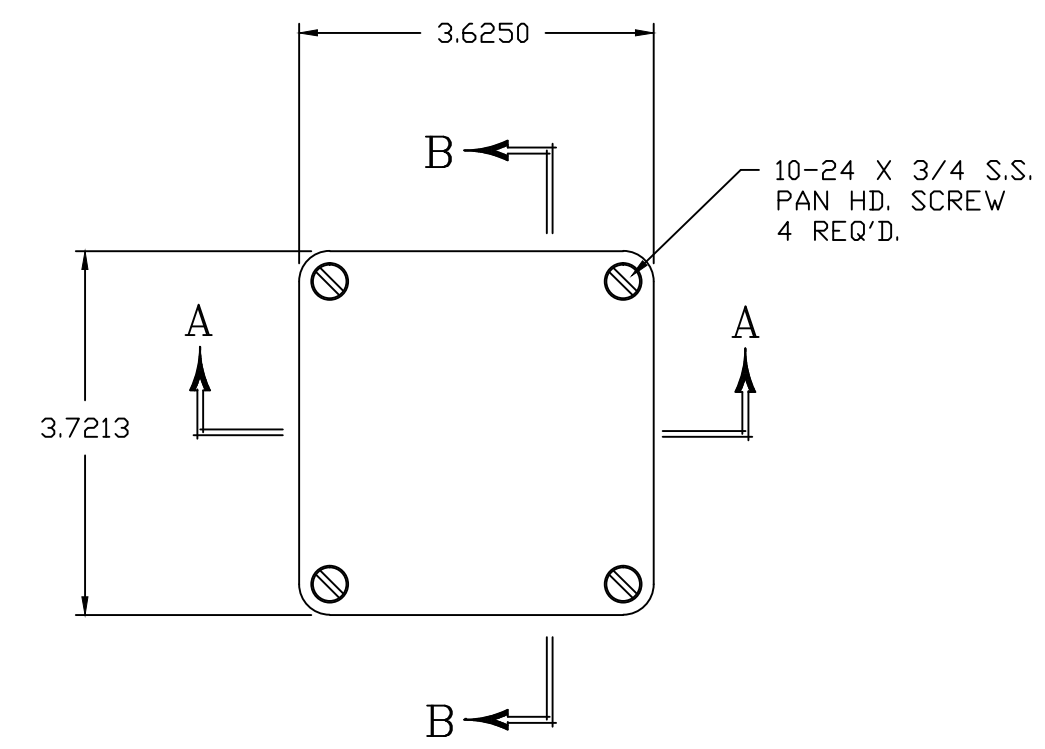
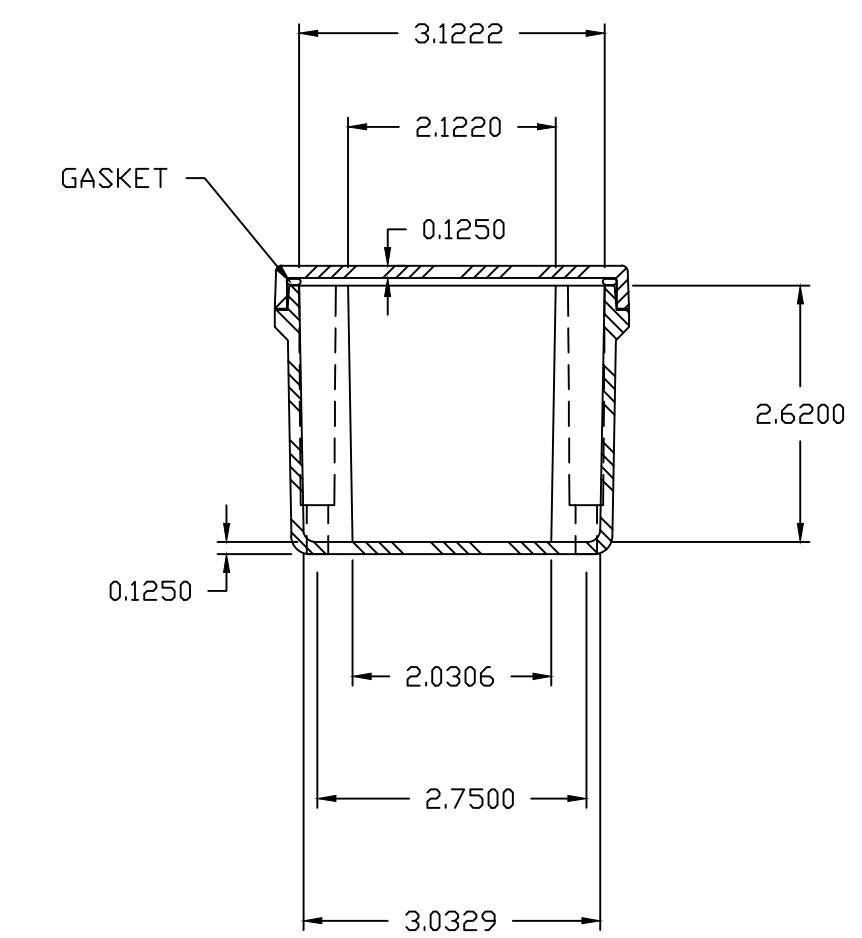
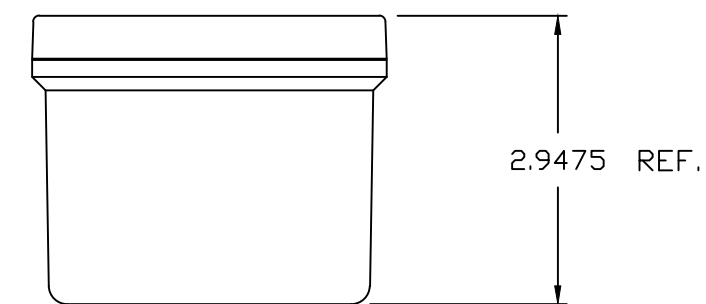


TOP VIEW
WITHOUT COVER



SECTION B-B



SECTION A-A

NOTES:

NEMA 4X		TOLERANCES UNLESS SPECIFIED		DECIMAL ± .010	FRACTIONAL ± 1/32
COLOR: GLACIER GRAY (RR1013)					
MATERIAL	F.R. POLYESTER FIBERGLASS	DR. BY	GF	DATE	7/23/93
LET.	REVISION RECORD	DATE	BY	CHD.	CHK. BY
					DATE
		APD. BY		DATE	CUSTOMER
		SCALE	DO NOT SCALE	PART NAME	ENCLOSURE
				PART NO.	CF332



BELDING, MICHIGAN 48809

AutoCAD DWG. FILE CF332