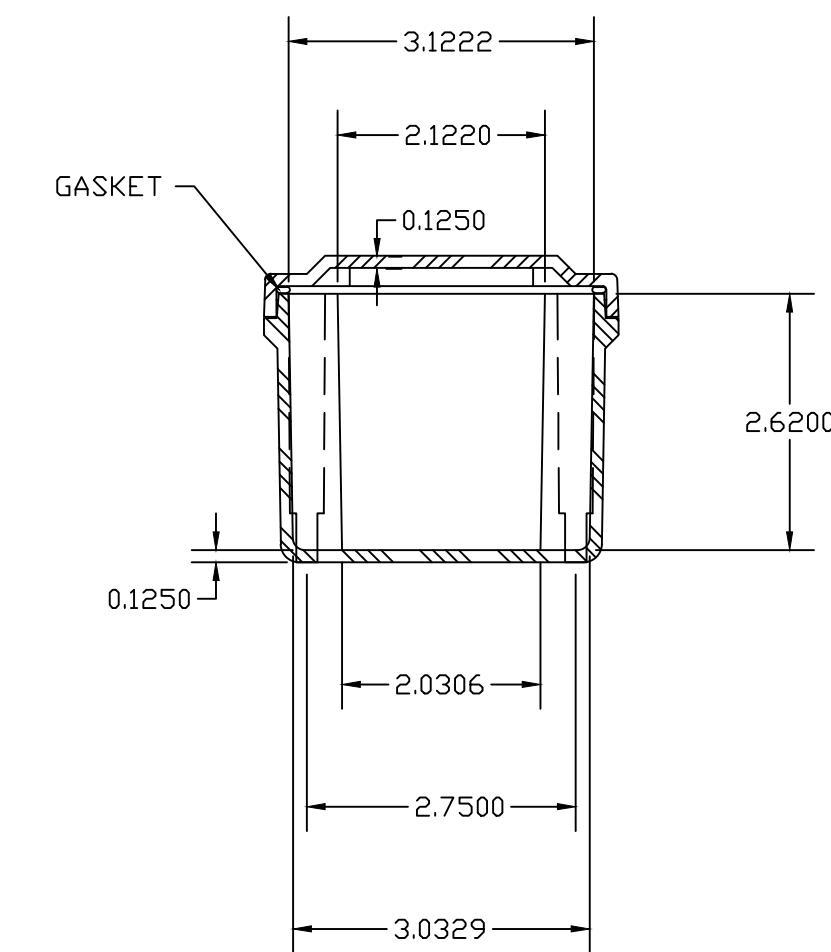
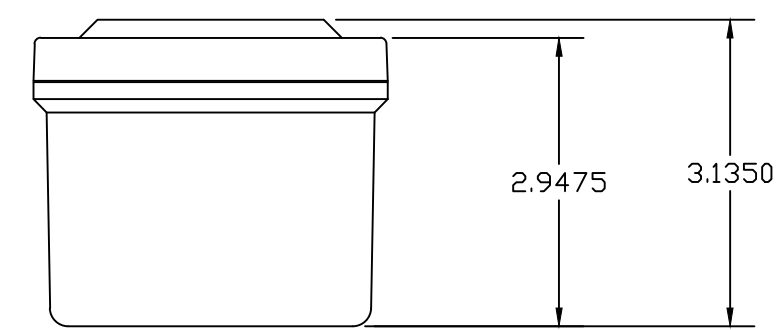


SECTION B-B



SECTION A-A

NOTES:

NEMA 4X		TOLERANCES UNLESS SPECIFIED		DECIMAL ± .010	FRACTIONAL ± 1/32
COLD R GLACIER GRAY RR1013					
MATERIAL	F.R. POLYESTER FIBERGLASS	DR. BY	DATE	7/23/93	
LET.	REVISION RECORD	DATE	BY	CHK. BY	DATE
				APD. BY	DATE
SCALE DO NOT SCALE		PART NAME ENCLOSURE		PART NO. CF1732	



BELDING, MICHIGAN
48809

AutoCAD DWG. FILE
CF1732