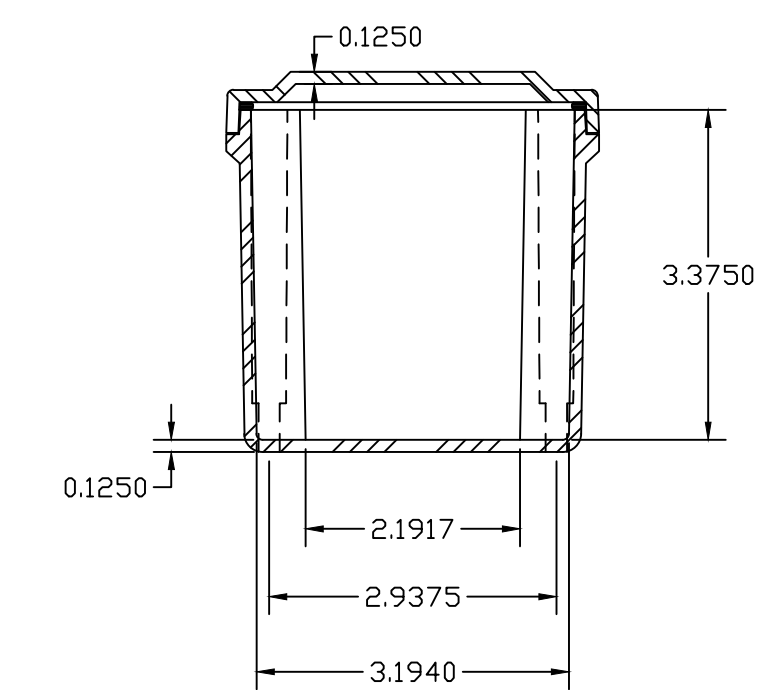
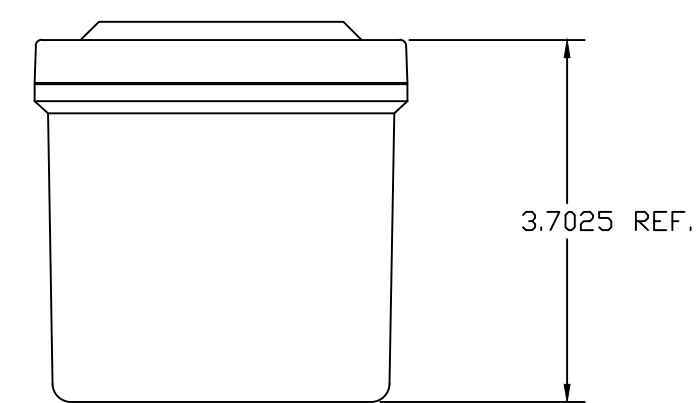


SECTION B-B



SECTION A-A

| NOTES: | | | | | | | | | | |
|------------------------------------|-----------------|------|----|--------------------|--------------|---------------------|----------|-----------------------------|-------------------|-------------------|
| NEMA 4X | | | | | | | | TOLERANCES UNLESS SPECIFIED | DECIMAL ± .010 | FRACTIONAL ± 1/32 |
| COLOR GLACIER GRAY RR1013 | | | | | | | | | | |
| MATERIAL F.R. POLYESTER FIBERGLASS | | | | DR. BY SH | DATE 7/16/91 | STAHLIN ENCLOSURES | | BELDING, MICHIGAN 48809 | | |
| LET. | REVISION RECORD | DATE | BY | CHD. | CHK. BY | DATE | CUSTOMER | | AutoCAD DWG. FILE | |
| | | | | | | | | | CF1144 | |
| | | | | SCALE DO NOT SCALE | | PART NAME ENCLOSURE | | PART NO. CF1144 | | |