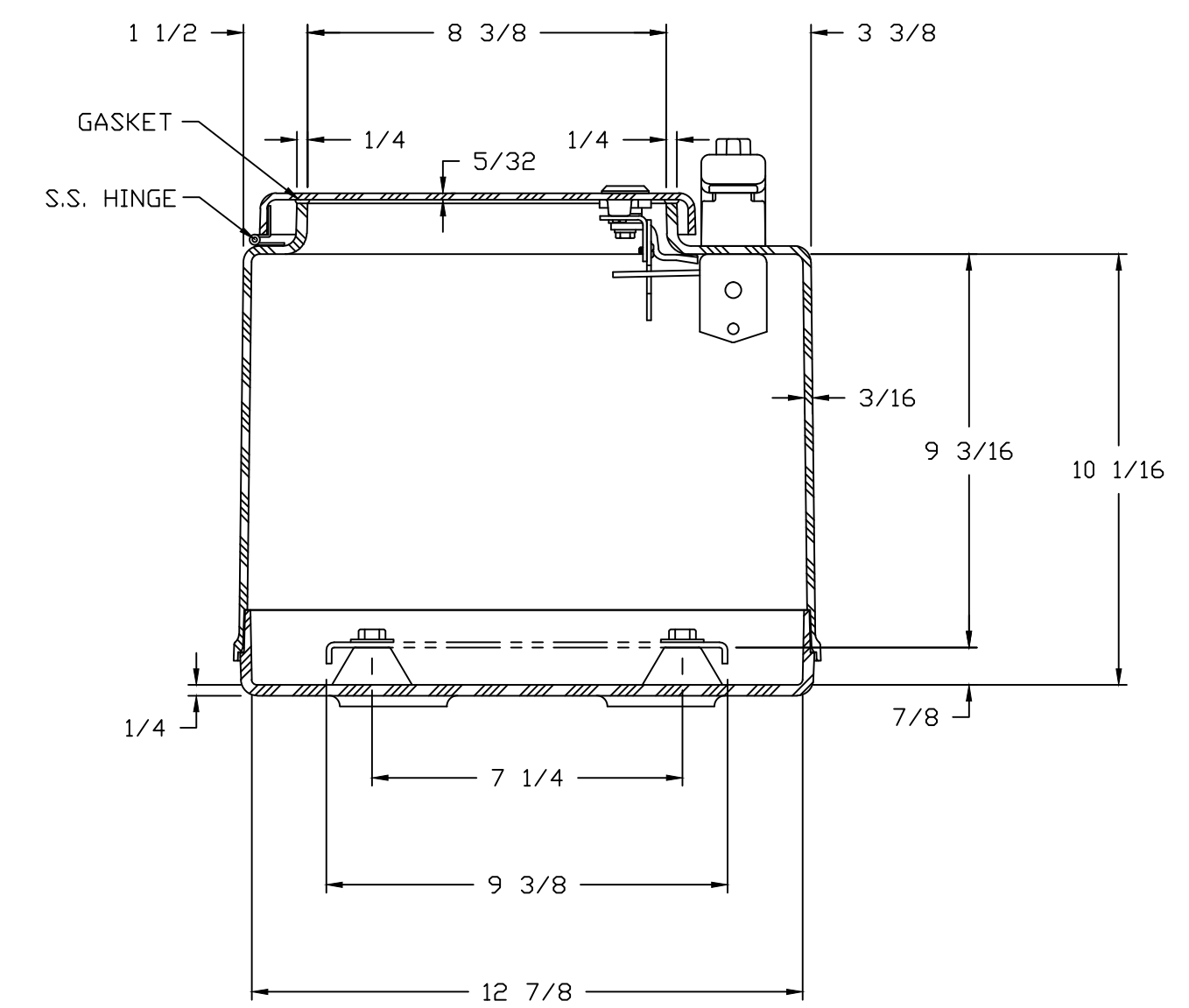
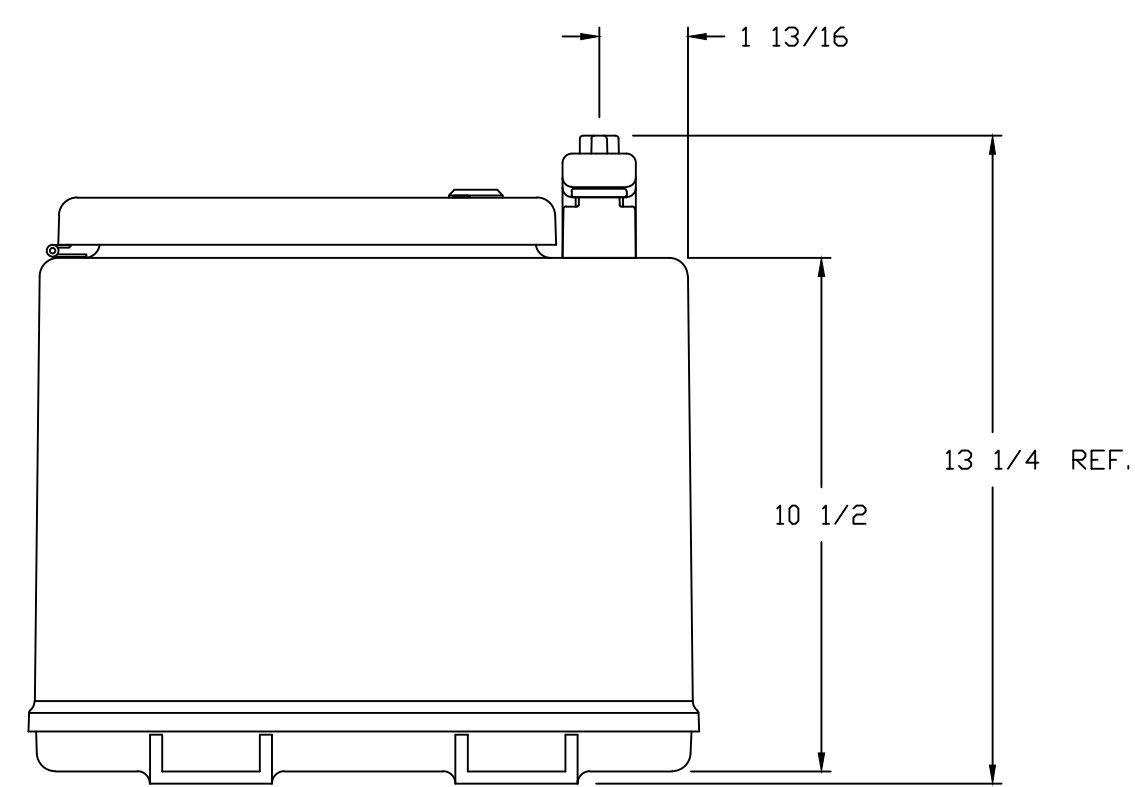


SECTION B-B



SECTION A-A

NOTES:

NEMA 4X		TOLERANCES UNLESS SPECIFIED		DECIMAL ± .010	FRACTIONAL ± 1/32
COLOR GLACIER GRAY RR1013					
MATERIAL	F.R. POLYESTER FIBERGLASS	DR. BY	GF	DATE	6/24/91
LET.	REVISION RECORD	DATE	BY	CHD.	CHK. BY
					DATE
					APD. BY
					DATE
					SCALE
					DD NDT SCALE
PART NAME		ENCLOSURE		PART NO.	
				C2412	



BELDING, MICHIGAN 48809

AutoCAD DWG. FILE C2412