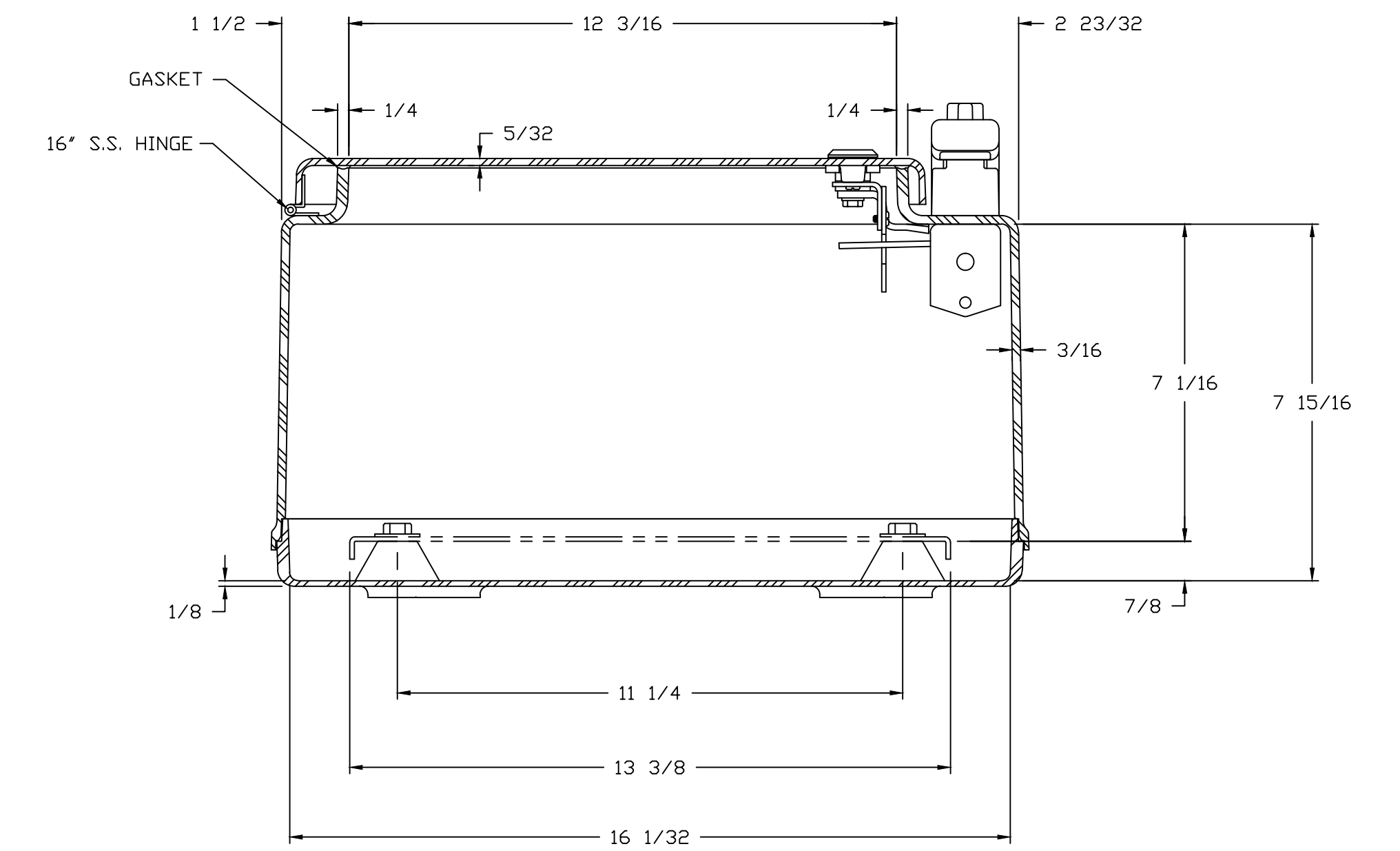
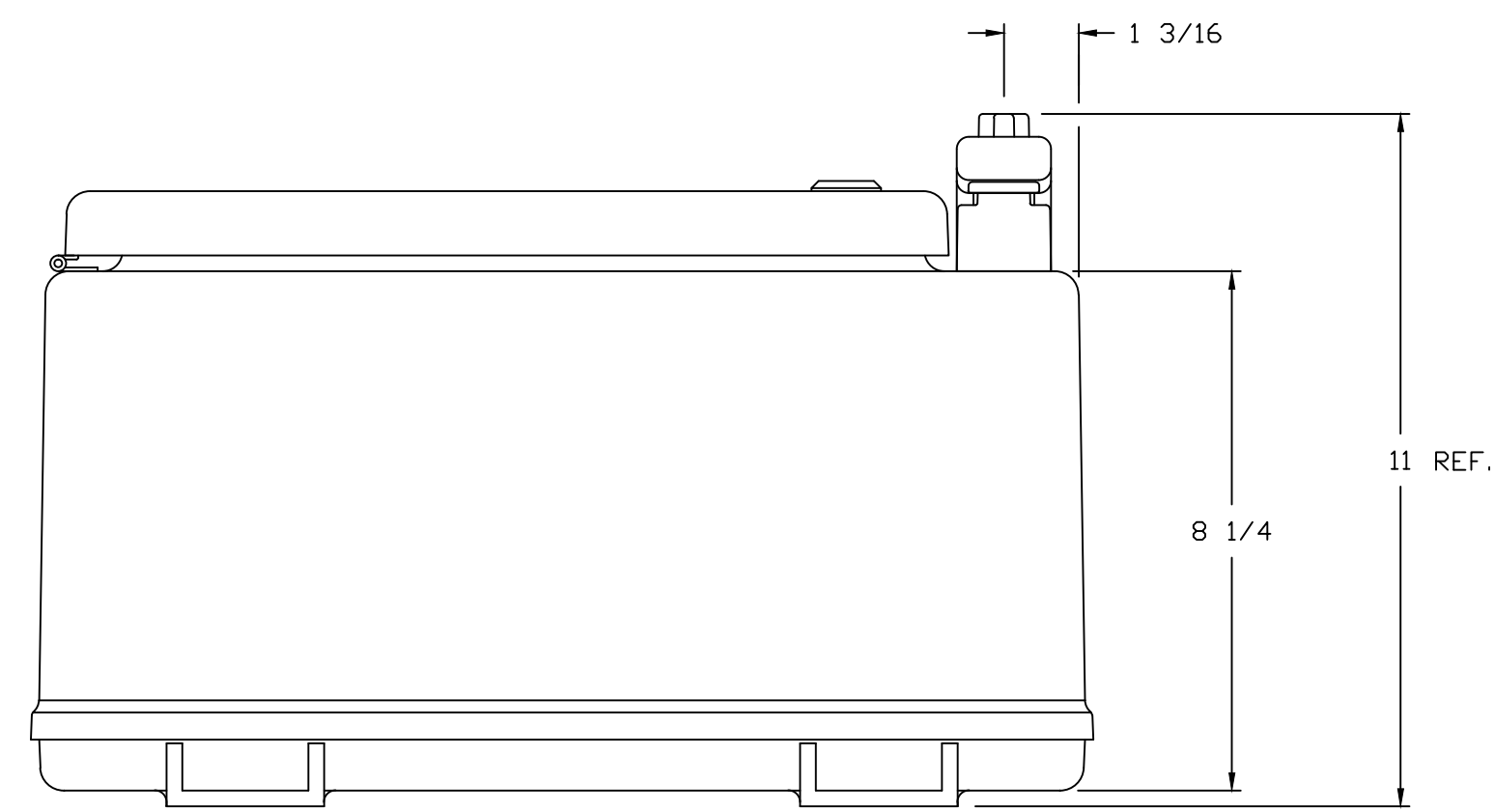



SECTION B-B



SECTION A-A

NOTES:

NEMA 4X		TOLERANCES UNLESS SPECIFIED		DECIMAL ± .010	FRACTIONAL ± 1/32
MATERIAL		DR. BY	DATE	 BELDING, MICHIGAN 48809	
COLD: GLACIER GRAY RR1013		GF	7/26/89		
F.R. POLYESTER FIBERGLASS		CHK. BY	DATE	CUSTOMER	
LET.	REVISION RECORD	DATE	BY	CHD.	APD. BY
					DATE
					SCALE
					DO NOT SCALE
PART NAME			PART NO.		AutoCAD DWG. FILE
ENCLOSURE			C2016		C2016