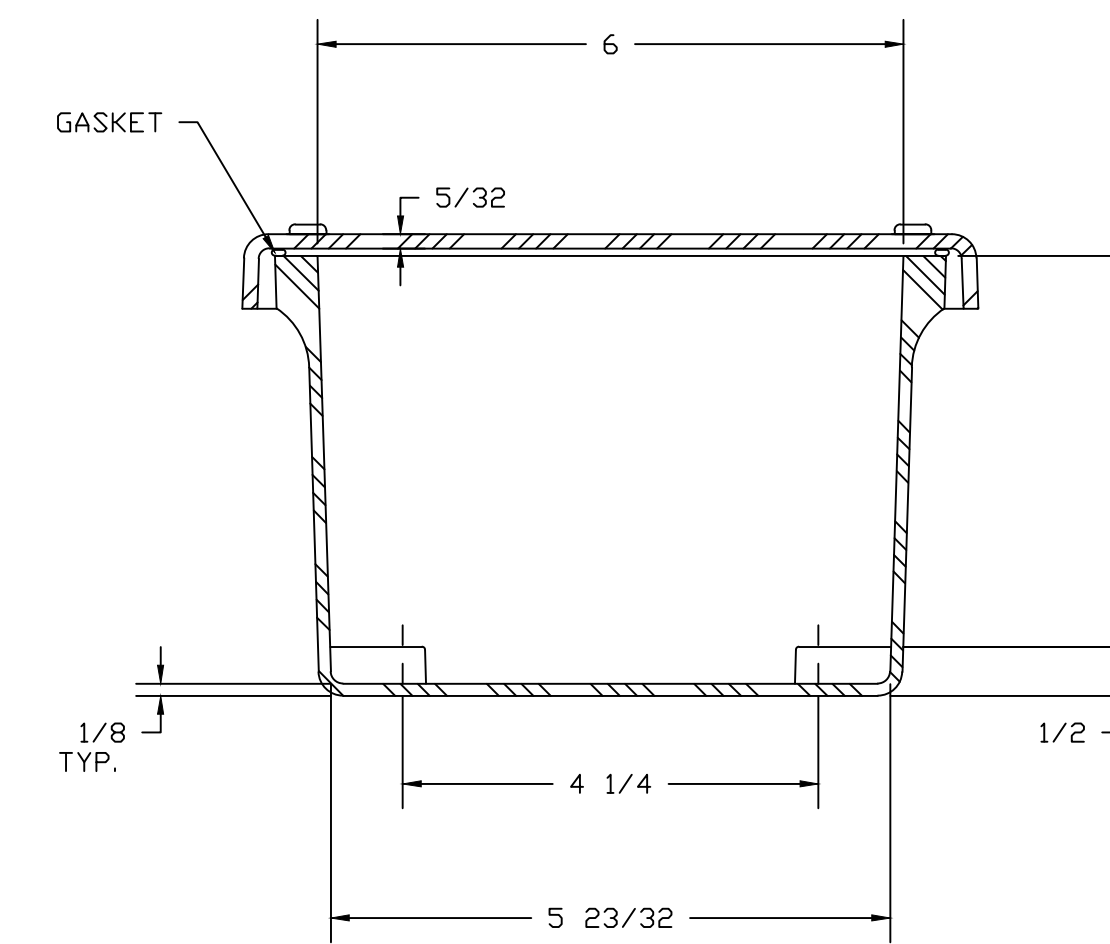
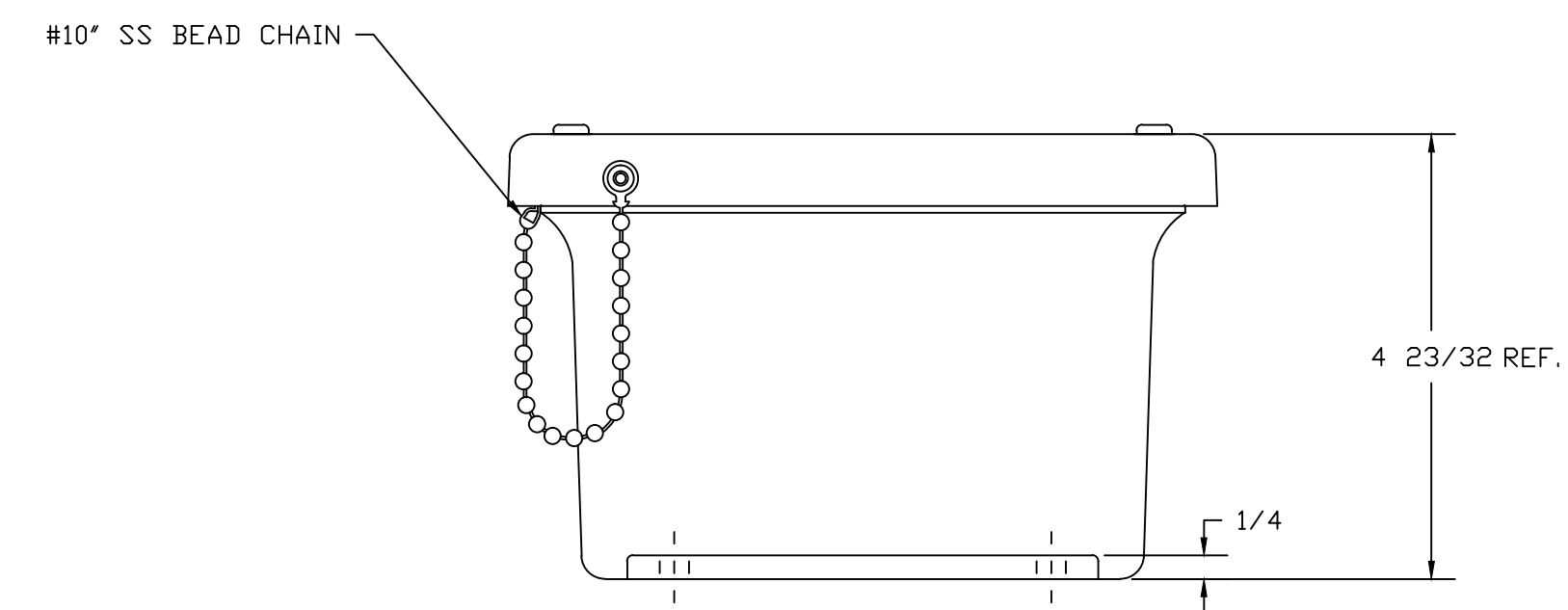



SECTION B-B



SECTION A-A

NOTES:

COLOR GLACIER GRAY RR1013		TOLERANCES UNLESS SPECIFIED		DECIMAL $\pm .010$	FRACTIONAL $\pm 1/32$
NEMA 4X					
MATERIAL	F.R. POLYESTER FIBERGLASS	DR. BY	DATE	 <b>STAHLIN ENCLOSURES</b> DIVISION OF ROBROY INDUSTRIES	
LET.	REVISION RECORD	GF	8/20/92		
		CHK. BY	DATE	BELDING, MICHIGAN 48809	
		APD. BY	DATE	CUSTOMER	
				AutoCAD DWG. FILE J606W	
		SCALE	DO NOT SCALE	PART NAME	PART NO.
				ENCLOSURE	J606W