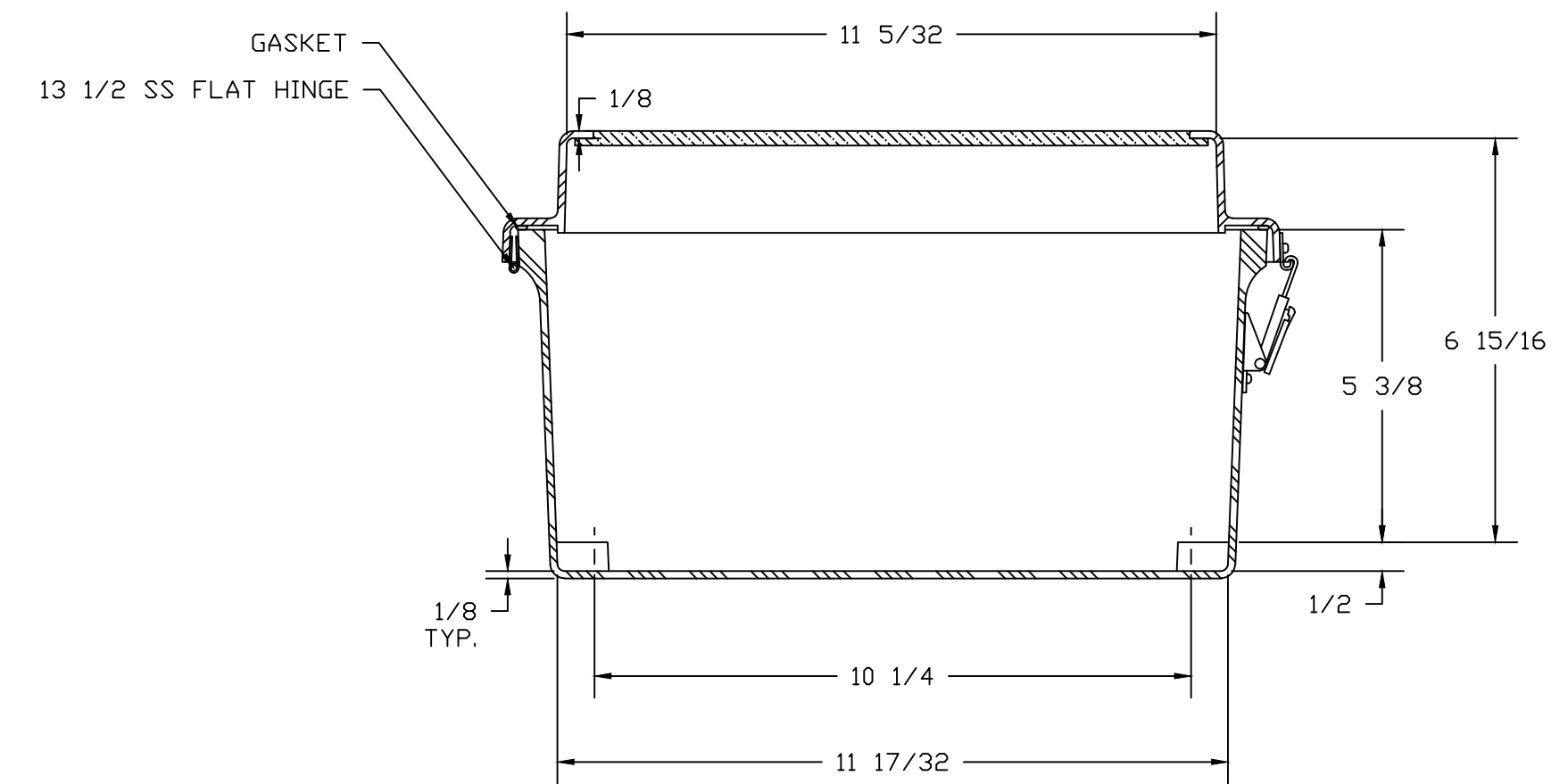
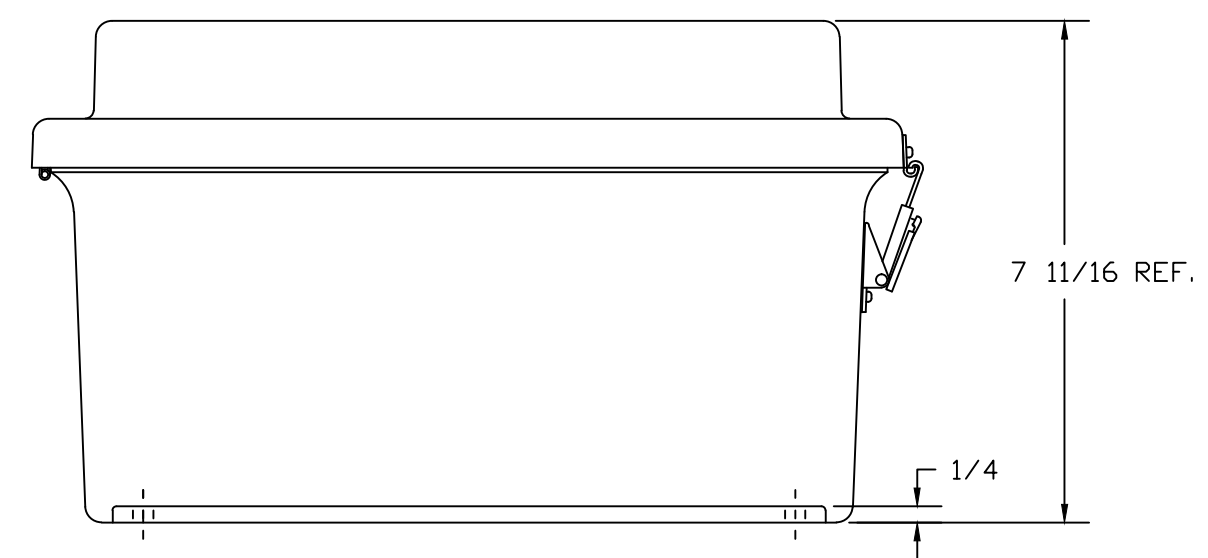



SECTION B-B



SECTION A-A

NOTES:

NEMA 4X		TOLERANCES UNLESS SPECIFIED		DECIMAL ± .010	FRACTIONAL ± 1/32	
COLOR GLACIER GRAY RR1013		DR. BY SH		DATE 8/19/91	 BELDING, MICHIGAN 48809	
MATERIAL F.R. POLYESTER FIBERGLASS		CHK. BY	DATE	APD. BY		DATE
LET.	REVISION RECORD	DATE	BY	CHD.	CUSTOMER	AutoCAD DWG. FILE RW1412HLL
SCALE DO NOT SCALE		PART NAME ENCLOSURE		PART NO. RJW1412HLL		