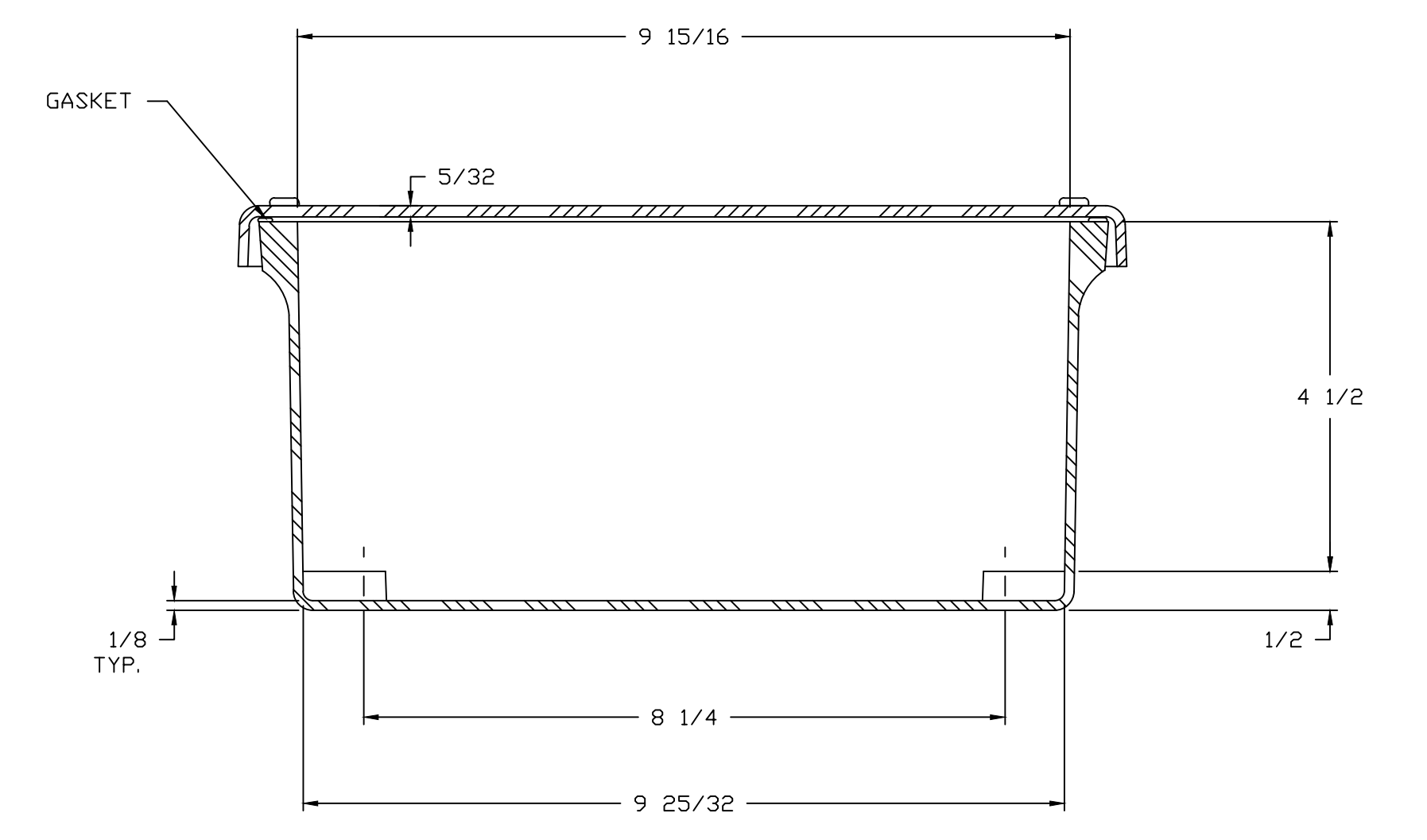
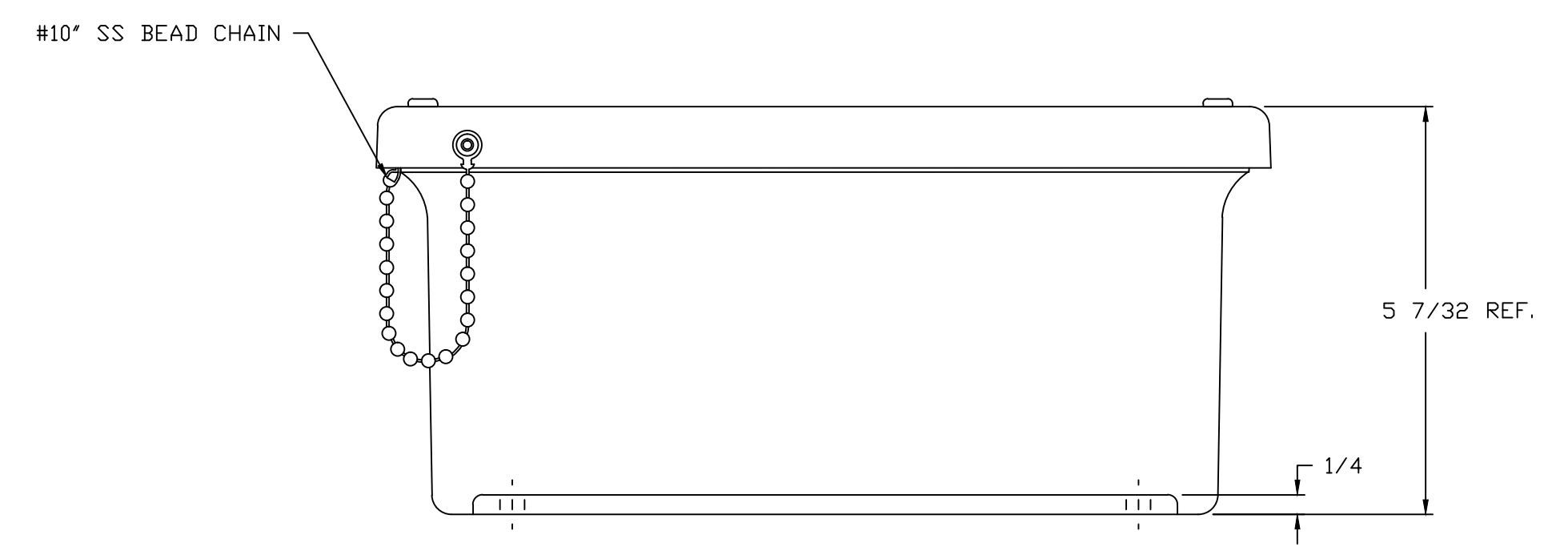


SECTION B-B



SECTION A-A

NOTES:

NEMA 4X		TOLERANCES UNLESS SPECIFIED		DECIMAL ±.010	FRACTIONAL ± 1/32
COLOR GLACIER GRAY RR1013					
MATERIAL	F.R. PLOYESTER FIBERGLASS	DR. BY	SH	DATE	6/3/91
LET.	REVISION RECORD	DATE	BY	CHD.	CHK. BY
					DATE
					APD. BY
					DATE
					SCALE
					DO NOT SCALE
PART NAME ENCLOSURE		CUSTOMER		PART NO. J1210W	
		STAHLIN ENCLOSURES		BELDING, MICHIGAN 48809	
		DIVISION OF ROBBY INDUSTRIES		AutoCAD DWG. FILE J1210W	