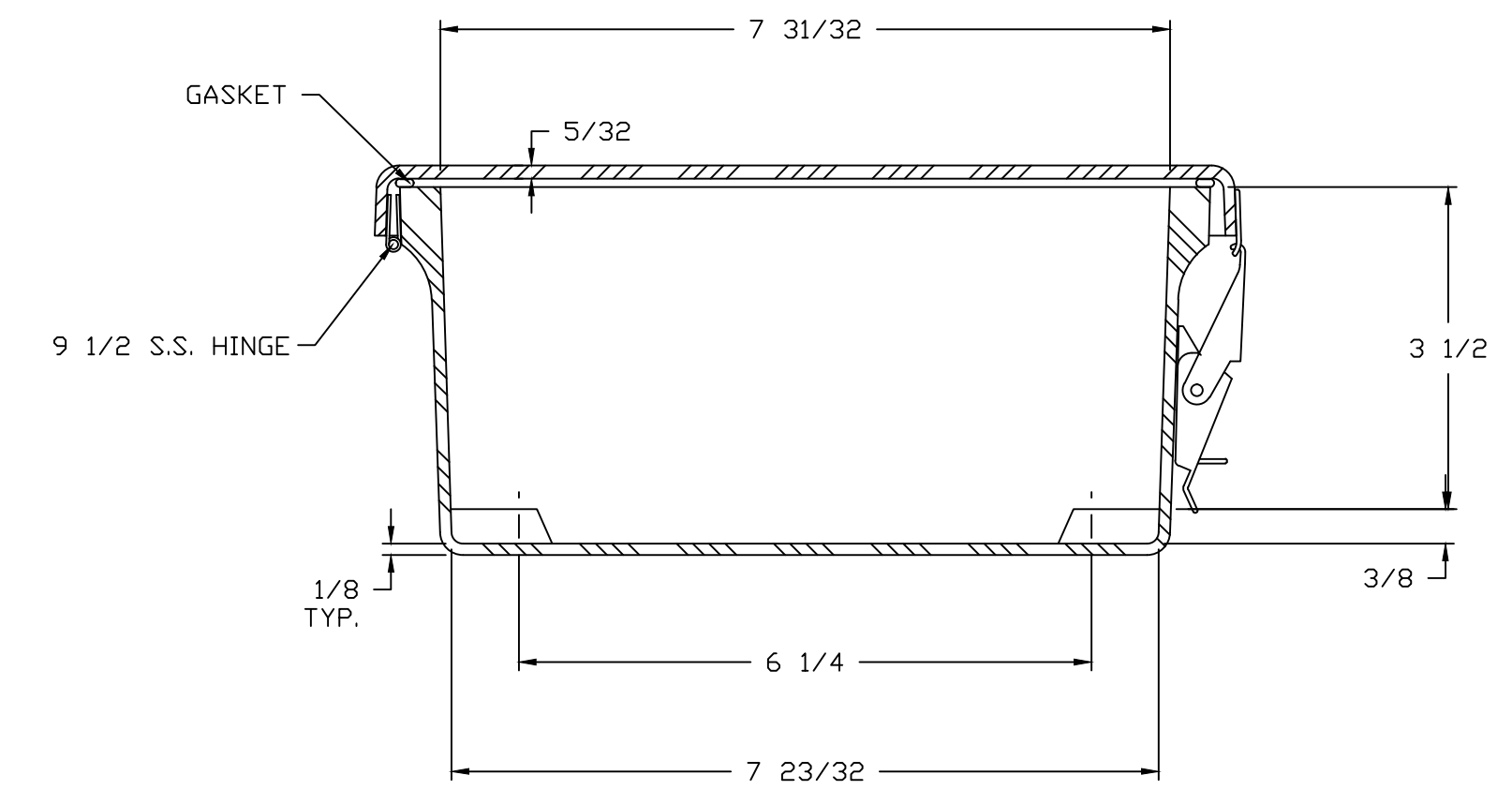
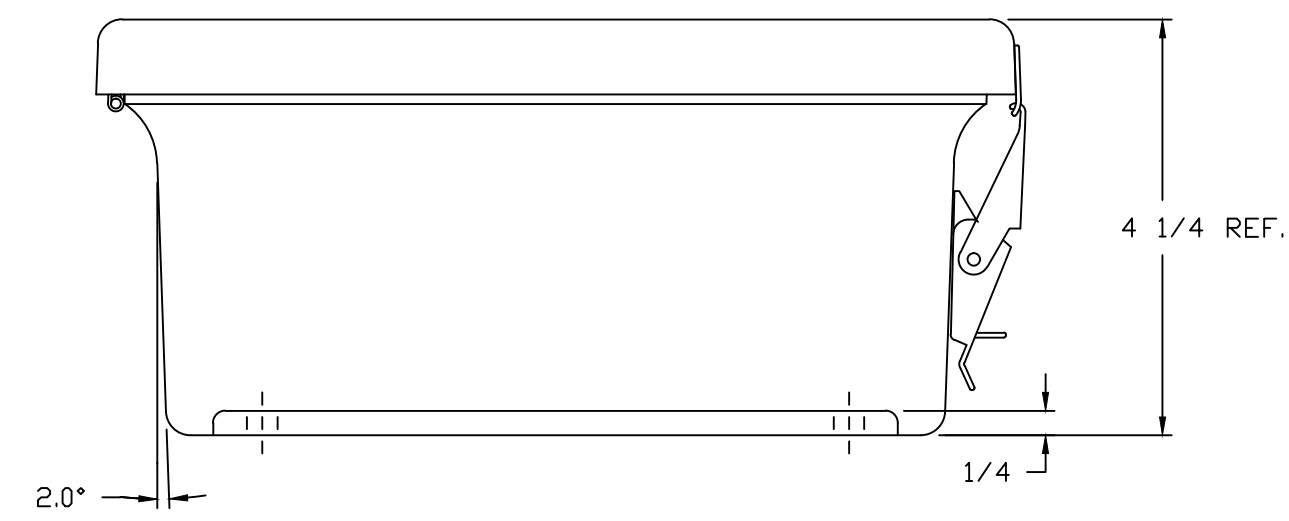



SECTION B-B



SECTION A-A

NOTES:										
NEMA 4X					TOLERANCES UNLESS SPECIFIED		DECIMAL ±.010	FRACTIONAL ± 1/32		
COLOR GLACIER GRAY RR1013										
MATERIAL			DR. BY	DATE	CHK. BY		DATE	 STAHLIN ENCLOSURES DIVISION OF ROBOBY INDUSTRIES		
F.R. POLYESTER FIBERGLASS			SH	2/25/91						
LET.	REVISION RECORD		DATE	BY	CHD.	APD. BY		DATE	CUSTOMER	
									AutoCAD DWG. FILE J1008HPL	
SCALE			PART NAME		PART NO.					
DO NOT SCALE			ENCLOSURE		J1008HPL					