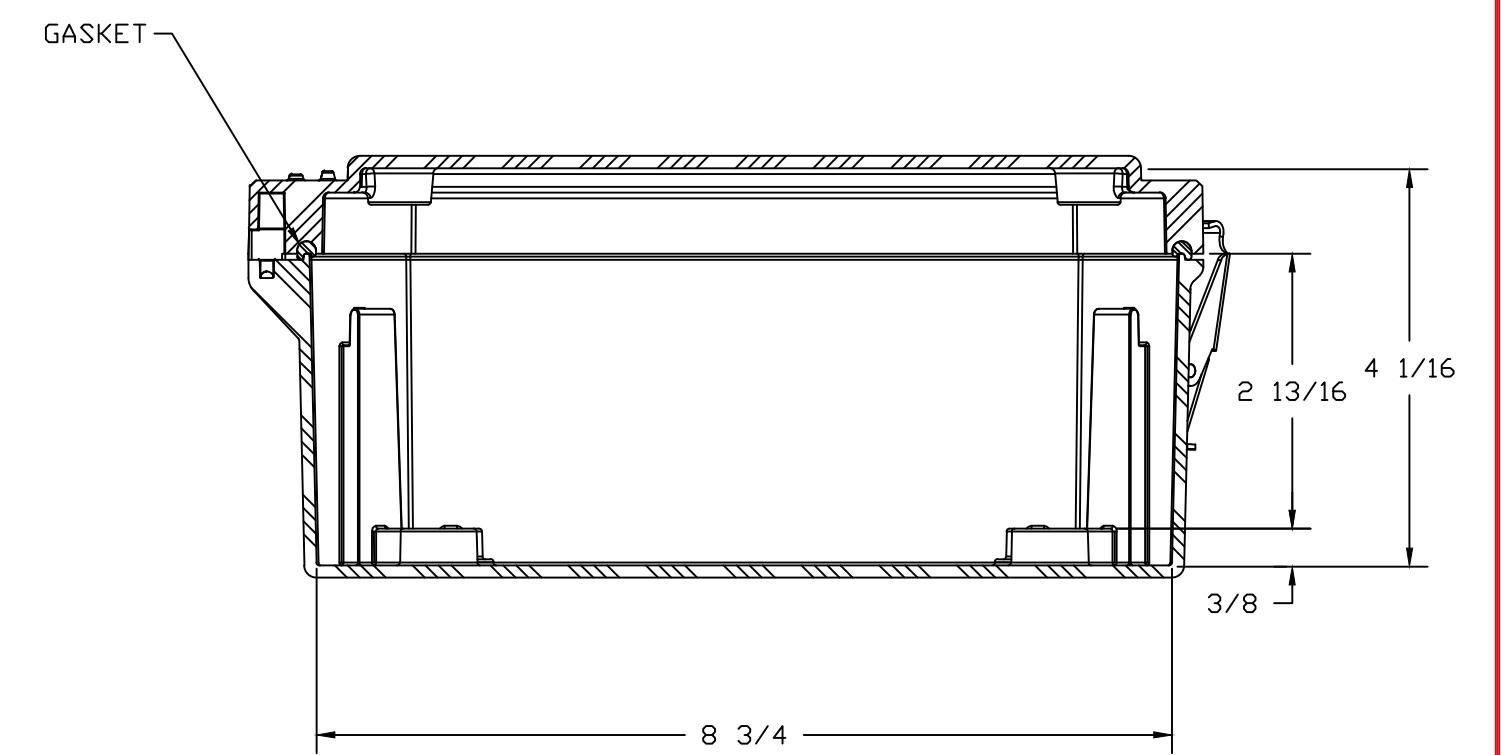
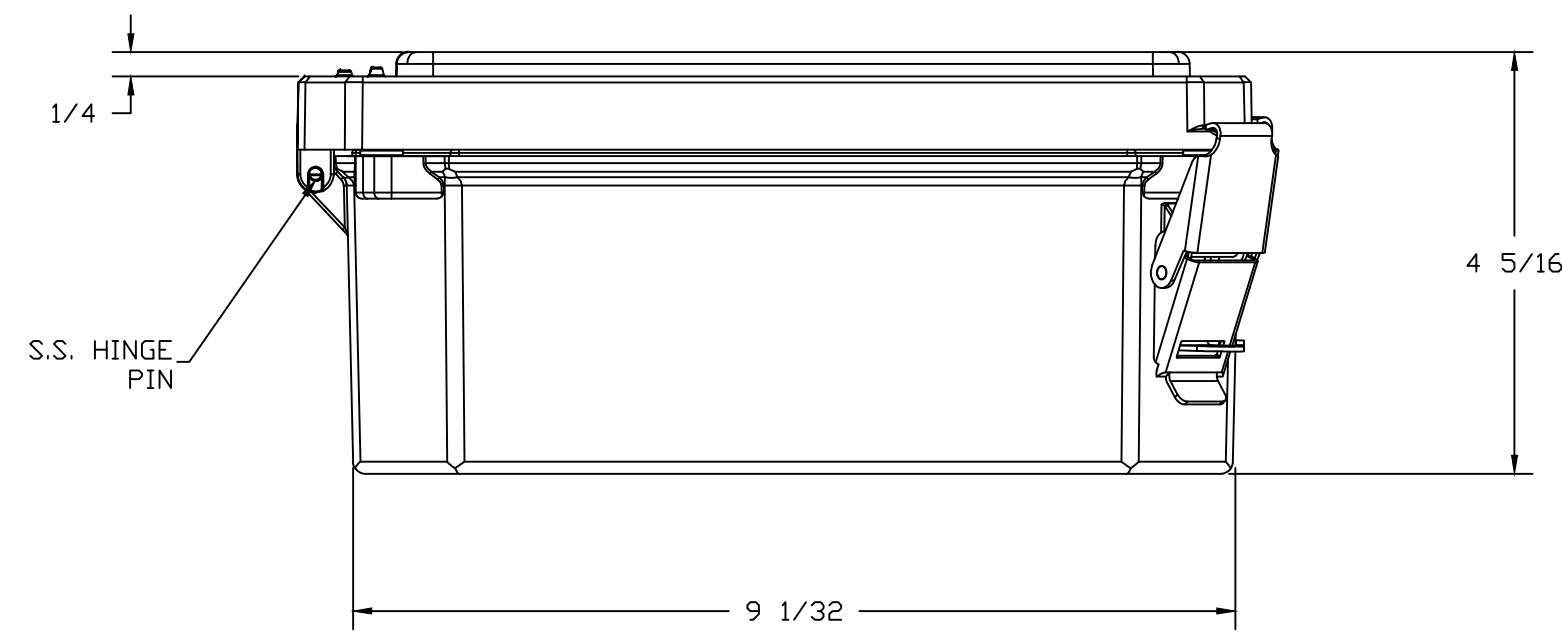
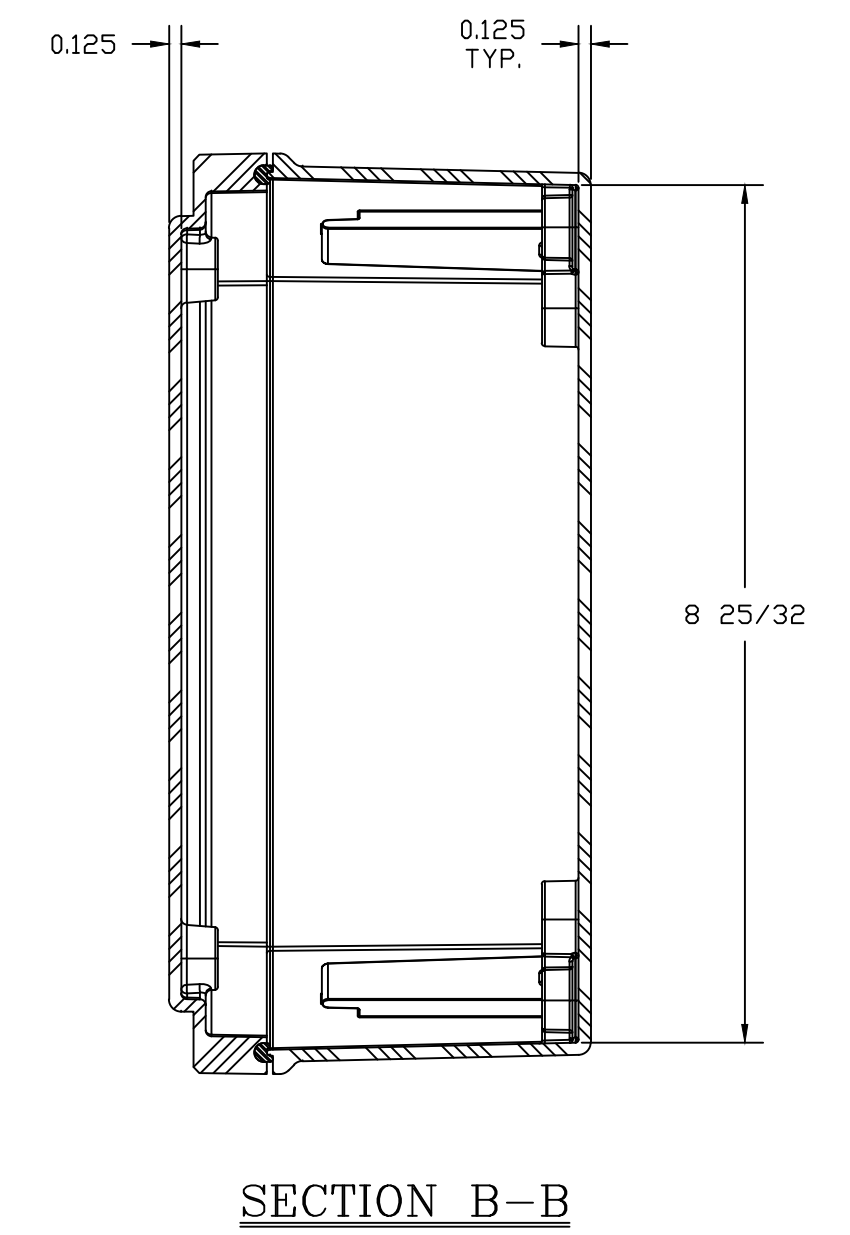
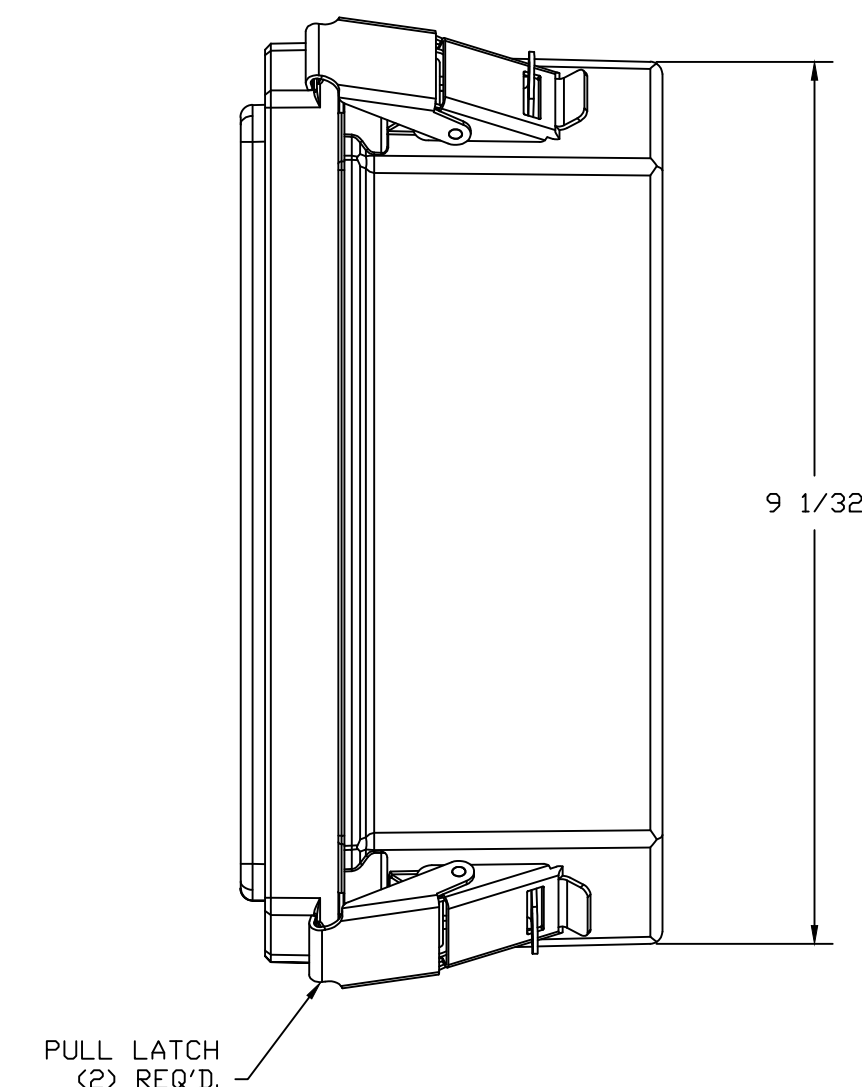
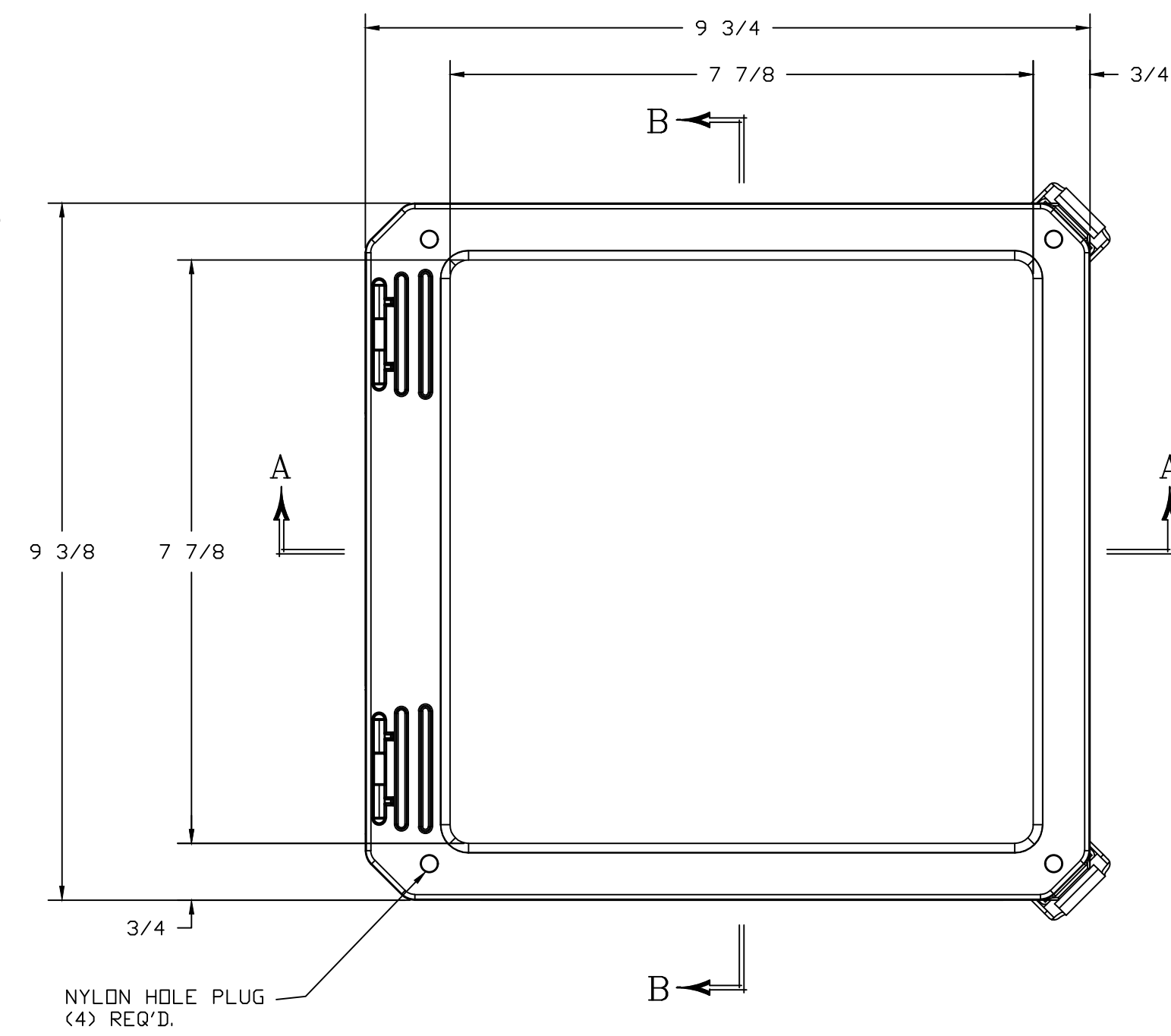


WITH COVER REMOVED



NOTES:

COLOR: GLACIER GRAY RR1013				TOLERANCES UNLESS SPECIFIED		DECIMAL ± .010	FRACTIONAL ± 1/32
NEMA 1, 3, 3S, 4X, 12, 13 IP66							
MATERIAL F.R. POLYESTER FIBERGLASS				DR. BY ZJB	DATE 3/31/03		
REVISION RECORD				CHK. BY	DATE		
LET.	REVISION RECORD	DATE	BY	CHD.	APD. BY	DATE	CUSTOMER STAHLIN
				SCALE DO NOT SCALE		PART NAME ENCLLOSURE	PART NO. DS80804HPL
						BELDING, MICHIGAN 48809 AutoCAD DWG. FILE DS80804HPL	