



360 degrees view Super Ceiling Sensor with Triple Overlapping Coverage for super sensitivity. No extra wires to run or extra boxes to install. Covers 2152 sf @ 9' height.

Color: White

Weight: 0.6 lbs

Project:	Type:
Prepared By:	Date:

Technical Specifications

Listings

UL Listing:

For indoor applications.

Construction

Easy Installation:

Relay and sensor all in one reduces installation cost. Compatible with program start ballasts. Not compatible with instant start ballasts. LED testing and operation indicator.

Sensor Characteristics

Maximum Reliability:

Adjustable detector sensitivity for superior detection.

Maximum Versatility:

Adjustable time delay. Sensor detection pattern can be customized. No minimum load requirement. Can be wired in parallel.

Time Delay:

10 seconds to 15 minutes.

Detection:

360° view Super Ceiling Sensor.

Optical

Coverage Area:

2152sf @ 9'.

Electrical

Incandescent Watts Switched:

1500 watts.

Fluorescent Watts Switched:

1500 watts.

Ratings Amps Horsepower:

5.4A amps 3.35 horsepower.

Power Consumption:

Negligible

Manual Switch:

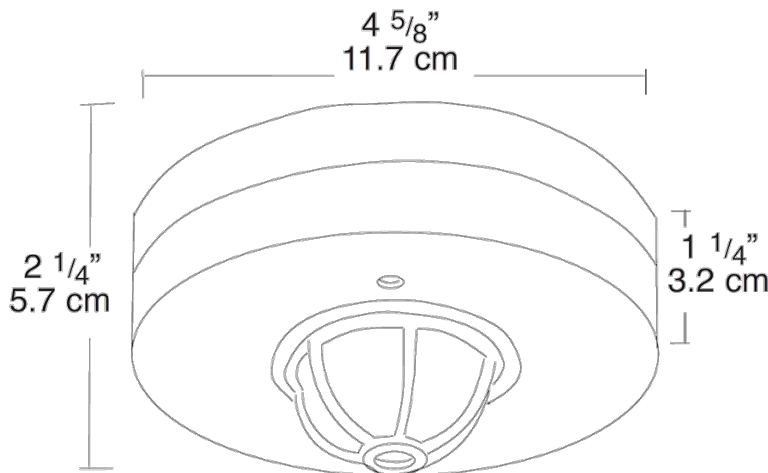
None.

Other

Adjustments:

Photo Time Sensitivity.

Dimensions



Features

- Super Ceiling Sensor has 3 detectors for triple overlapping coverage to catch small movements
- LED testing and operation Indicator
- Maximum coverage - 360 or hallway models
- Relay and sensor all in one unit reduces installation costs
- Can be wired in parallel
- Compatible with program start ballasts