



360 degrees view Super Ceiling Sensor with Triple Overlapping Coverage for super sensitivity. No extra wires to run or extra boxes to install. Covers 2152 sf @ 9' height.

Color: White

Weight: 0.6 lbs

<b>Project:</b>	<b>Type:</b>
<b>Prepared By:</b>	<b>Date:</b>

**Technical Specifications**

**Listings**

**UL Listing:**

For indoor applications.

**Construction**

**Easy Installation:**

Relay and sensor all in one reduces installation cost. Compatible with program start ballasts. Not compatible with instant start ballasts. LED testing and operation indicator.

**Sensor Characteristics**

**Maximum Reliability:**

Adjustable detector sensitivity for superior detection.

**Maximum Versatility:**

Adjustable time delay. Sensor detection pattern can be customized. No minimum load requirement. Can be wired in parallel.

**Time Delay:**

10 seconds to 15 minutes.

**Detection:**

360° view Super Ceiling Sensor.

**Optical**

**Coverage Area:**

2152sf @ 9'.

**Electrical**

**Incandescent Watts Switched:**

2000 watts.

**Fluorescent Watts Switched:**

2000 watts.

**Ratings Amps Horsepower:**

16 amps 6.7 horsepower.

**Power Consumption:**

Negligible

**Manual Switch:**

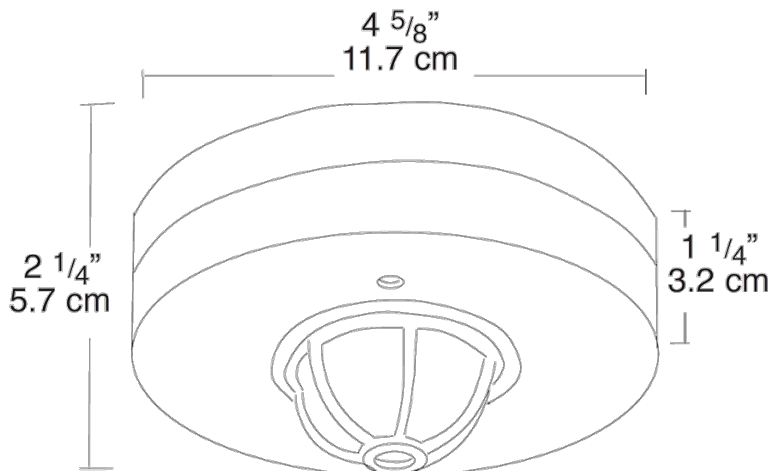
None.

**Other**

**Adjustments:**

Photo Time Sensitivity.

**Dimensions**



**Features**

- Super Ceiling Sensor has 3 detectors for triple overlapping coverage to catch small movements
- LED testing and operation Indicator
- Maximum coverage - 360 or hallway models
- Relay and sensor all in one unit reduces installation costs
- Can be wired in parallel
- Compatible with program start ballasts