

# ODS10-IDW



UPC Code: 07847701018

Country of Origin: Please Contact Customer Service

## Brand Features

The ODS10 uses passive infrared (PIR) detection technology to monitor a room for occupancy through a segmented Fresnel lens. This specialized lens divides the field-of-view into sensor zones. When a person passes into or out of a sensor zone, the sensor detects motion and switches the lights ON. The lights will remain ON as long as there is an occupant moving through the sensor zones.

## Item Description

Product Line: ODS10, Technology: Passive Infrared, Switch Type: Single-Pole, Mounting: Wall Switch, Device Type: Occupancy Sensor, Coverage (Sq.Ft.): 2100 Sq. Ft., Voltage: 120/277 Volt AC 60Hz, Pattern: 180°, Color: White, Neutral Wire Connection: Not Required, Warranty: 5-Year Limited

## Technical Information

### Product Features

**Product Line:** ODS10

**Technology:** Passive Infrared

**Switch Type:** Single-Pole

**Mounting:** Wall Switch

**Device Type:** Occupancy Sensor

**Grade:** Commercial

**Coverage (Sq.Ft.):** 2100 Sq. Ft.

**Pattern:** 180°

**Mounting Height (Ft.):** 4 Ft.

**Adjustment:** Manual

**Time Delay:** 30s-30m

**Voltage:** 120/277 Volt AC 60Hz

**Load Rating:** 800W@120V INC  
1200VA@120V 2700VA@277V FL

**Motor:** 1/4 HP @ 120V

**Power Pack:** External Power Pack Not Required

**Consumption (mA):** N/A

**Photocell:** Internal

**HVAC Relay:** N/A

**Operating Temperature:** 0°C to 50°C

**Storage Temperature Range:** -10°C to 85°C

**Relative Humidity:** 20% to 90% non-condensing

**Neutral Wire Connection:** Not Required

**Color:** White

**LED Color:** Red

**Wallplate:** Order Separately

**Standards and Certifications:** UL/cUL

**Code Compliance:** California Title 24

**Size:** 4.06" H x 1.75" W x 1.85" D  
(103.2mm x 44.4mm x 47.2mm)

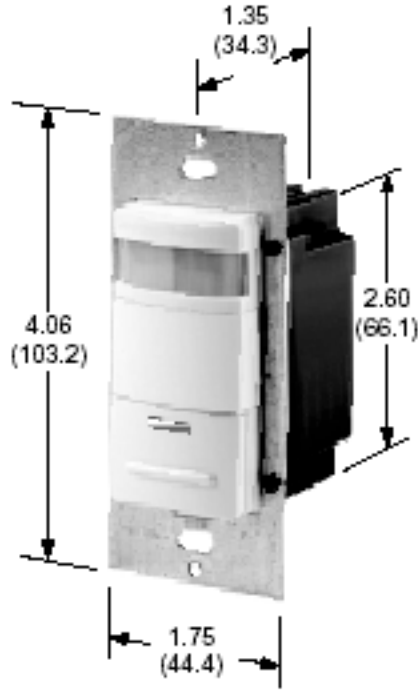
**Warranty:** 5-Year Limited

## Features and Benefits

- Fits in standard wallbox and replaces single-pole wall switch. Gangable with other units.
- Low-profile design eliminates obtrusive "scanning-device" look. Elegant Decora styling complements any interior; uses Decora wallplates and coordinates with

Leviton's popular line of Decora wiring devices.

- 180° field-of-view provides approximately 2100 square feet of coverage suitable for small offices, conference rooms, classrooms, lounges and a variety of commercial areas.
- Convenient pushbutton provides manual-ON/OFF light switching at any time.
- Two dual element PIR sensors used to widen detection range.
- Segmented Fresnel lens provides optimum sensitivity and performance. Designed with an extensive "minor motion" area where even slight body movements will be detected.
- Vandal resistant PIR lens.
- Horizontal field-of-view may be adjusted between 180° and 60° of arc by using integral blinders located on either side of the lens. No masking tape required.
- Manual-ON/auto-OFF mode for installations where manual-ON switching is required but auto-OFF switching is still desired for CEC Title 24 energy savings.
- To comply with T24, red LED indicator light flashes when sensor detects motion to verify detection is active.
- Time Delay adjustment for delayed-OFF time settings of 30 seconds (for walking test), 10 minutes, 20 minutes, and 30 minutes. Allows customized adjustments to maximize energy savings.
- Light Sensor Adjustable Ambient Light Override ranges from approximately 2 foot-candles (20 lux) to 500+ foot-candles (5000+ lux) to prevent lights from turning ON automatically during periods of ample natural light, increasing energy savings.
- Light sensor enables the load hold-OFF feature once level has been set.
- Vacancy confirmation - when the time out expires and the lights turn OFF a 30 second vacancy confirmation exists to turn the lights back ON.
- False detection circuitry.
- Presentation Mode feature for slide or film presentations allows push buttons to turn lights OFF and keep them OFF while the room is occupied.
- One unit can be used for 120V through 277V lighting. Compatible with both electronic and magnetic ballasts.
- Relay switches at the zero crossing point of the AC power curve to ensure maximum contact life and compatibility with electronic ballasts.
- Exclusive Leviton H.I.S. Circuitry. Specifically designed to handle today's high inrush electronic ballast loads and offer unmatched durability and service.
- No neutral design is optional for retrofit applications.



**SPECIFICATION SUBMITTAL**

JOB NAME: <input type="text"/>	CATALOG NUMBERS: <input type="text"/>	
JOB NUMBER: <input type="text"/>	<input type="text"/>	<input type="text"/>

**Leviton Manufacturing Co., Inc.**  
 201 North Service Road, Melville, NY 11747  
 Telephone: 1-800-323-8920 · FAX: 1-800-832-9538 · Tech Line (8:30AM-7:30PM E.S.T. Monday-Friday): 1-800-824-3005

**Leviton Manufacturing of Canada, Ltd.**  
 165 Hymus Boulevard, Pointe Claire, Quebec H9R 1E9 · Telephone: 1-800-469-7890 ·  
 FAX: 1-800-824-3005 · www.leviton.com/canada

**Leviton S. de R.L. de C.V.**  
 Lago Tana 43, Mexico DF, Mexico CP 11290 · Tel.: (+52)55-5082-1040 · FAX: (+52)5386-1797 · www.leviton.com.mx

**Visit our Website at: [www.leviton.com](http://www.leviton.com)**  
 © 2012-2016 Leviton Manufacturing Co., Inc. All rights reserved. Subject to change without notice.

**Leviton has a global presence.**  
 If you would like to know where your local Leviton office is located please go to: [www.leviton.com/international/contacts/](http://www.leviton.com/international/contacts/)

