

ODS10-IDI



UPC Code: 07847701019

Country of Origin: Please Contact Customer Service

Occupancy and Vacancy Sensors

Brand Features

The ODS10 uses passive infrared (PIR) detection technology to monitor a room for occupancy through a segmented Fresnel lens. This specialized lens divides the field-of-view into sensor zones. When a person passes into or out of a sensor zone, the sensor detects motion and switches the lights ON. The lights will remain ON as long as there is an occupant moving through the sensor zones.

Item Description

Product Line: ODS10, Technology: Passive Infrared, Switch Type: Single-Pole, Mounting: Wall Switch, Device Type: Occupancy Sensor, Coverage (Sq.Ft.): 2100 Sq. Ft., Voltage: 120/277 Volt AC 60Hz, Pattern: 180°, Color: Ivory, Neutral Wire Connection: Not Required, Warranty: 5-Year Limited

Technical Information

Product Features

Product Line: ODS10

Technology: Passive Infrared

Switch Type: Single-Pole

Mounting: Wall Switch

Device Type: Occupancy Sensor

Grade: Commercial

Coverage (Sq.Ft.): 2100 Sq. Ft.

Pattern: 180°

Mounting Height (Ft.): 4 Ft.

Adjustment: Manual

Time Delay: 30s-30m

Voltage: 120/277 Volt AC 60Hz

Load Rating: 800W@120V INC
1200VA@120V 2700VA@277V FL

Motor: 1/4 HP @ 120V

Power Pack: External Power Pack Not Required

Consumption (mA): N/A

Photocell: Internal

HVAC Relay: N/A

Operating Temperature: 0°C to 50°C

Storage Temperature Range: -10°C to 85°C

Relative Humidity: 20% to 90% non-condensing

Neutral Wire Connection: Not Required

Color: Ivory

LED Color: Red

Wallplate: Order Separately

Standards and Certifications: UL/cUL

Code Compliance: California Title 24

Size: 4.06" H x 1.75" W x 1.85" D
(103.2mm x 44.4mm x 47.2mm)

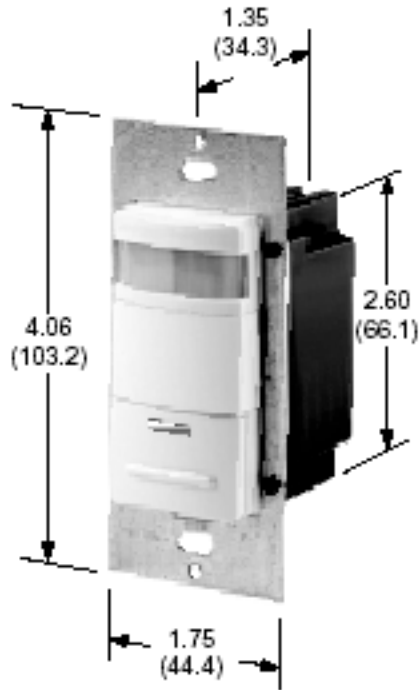
Warranty: 5-Year Limited

Features and Benefits

- Fits in standard wallbox and replaces single-pole wall switch. Gangable with other units.
- Low-profile design eliminates obtrusive "scanning-device" look. Elegant Decora styling complements any interior; uses Decora wallplates and coordinates with

Leviton's popular line of Decora wiring devices.

- 180° field-of-view provides approximately 2100 square feet of coverage suitable for small offices, conference rooms, classrooms, lounges and a variety of commercial areas.
- Convenient pushbutton provides manual-ON/OFF light switching at any time.
- Two dual element PIR sensors used to widen detection range.
- Segmented Fresnel lens provides optimum sensitivity and performance. Designed with an extensive "minor motion" area where even slight body movements will be detected.
- Vandal resistant PIR lens.
- Horizontal field-of-view may be adjusted between 180° and 60° of arc by using integral blinders located on either side of the lens. No masking tape required.
- Manual-ON/auto-OFF mode for installations where manual-ON switching is required but auto-OFF switching is still desired for CEC Title 24 energy savings.
- To comply with T24, red LED indicator light flashes when sensor detects motion to verify detection is active.
- Time Delay adjustment for delayed-OFF time settings of 30 seconds (for walking test), 10 minutes, 20 minutes, and 30 minutes. Allows customized adjustments to maximize energy savings.
- Light Sensor Adjustable Ambient Light Override ranges from approximately 2 foot-candles (20 lux) to 500+ foot-candles (5000+ lux) to prevent lights from turning ON automatically during periods of ample natural light, increasing energy savings.
- Light sensor enables the load hold-OFF feature once level has been set.
- Vacancy confirmation - when the time out expires and the lights turn OFF a 30 second vacancy confirmation exists to turn the lights back ON.
- False detection circuitry.
- Presentation Mode feature for slide or film presentations allows push buttons to turn lights OFF and keep them OFF while the room is occupied.
- One unit can be used for 120V through 277V lighting. Compatible with both electronic and magnetic ballasts.
- Relay switches at the zero crossing point of the AC power curve to ensure maximum contact life and compatibility with electronic ballasts.
- Exclusive Leviton H.I.S. Circuitry. Specifically designed to handle today's high inrush electronic ballast loads and offer unmatched durability and service.
- No neutral design is optional for retrofit applications.



SPECIFICATION SUBMITTAL

JOB NAME:	CATALOG NUMBERS:	
JOB NUMBER:		

Leviton Manufacturing Co., Inc.
 201 North Service Road, Melville, NY 11747
 Telephone: 1-800-323-8920 · FAX: 1-800-832-9538 · Tech Line (8:30AM-7:30PM E.S.T. Monday-Friday): 1-800-824-3005

Leviton Manufacturing of Canada, Ltd.
 165 Hymus Boulevard, Pointe Claire, Quebec H9R 1E9 · Telephone: 1-800-469-7890 ·
 FAX: 1-800-824-3005 · www.leviton.com/canada

Leviton S. de R.L. de C.V.
 Lago Tana 43, Mexico DF, Mexico CP 11290 · Tel.: (+52)55-5082-1040 · FAX: (+52)5386-1797 · www.leviton.com.mx

Visit our Website at: www.leviton.com
 © 2012-2016 Leviton Manufacturing Co., Inc. All rights reserved. Subject to change without notice.

Leviton has a global presence.
 If you would like to know where your local Leviton office is located please go to: www.leviton.com/international/contacts/

