

5325



UPC Code: 07847723310

Country of Origin: Please Contact Customer Service

NEMA: 5-15R



Straight Blade Wiring Devices

Brand Features

Leviton's comprehensive Residential Grade Receptacles portfolio includes devices rated for all residential applications in a variety of standard configurations. They are produced in an array of colors in both Decora® brand and traditional styles. All duplex receptacles are designed with thermoplastic construction and feature a shallow build for maximum wiring room. Each duplex is also equipped with break-off plaster ears and tabs to allow for easy alignment and two-circuit conversion.

Item Description

15 Amp, 125 Volt, NEMA 5-15R, 2P, 3W, Decora Duplex Receptacle, Straight Blade, Residential Grade, Grounding, Quickwire Push-In & Side Wired, Steel Strap, - Brown

Technical Information

Electrical Ratings

Amperage: 15 Amp

Voltage: 125 Volt

Material Specifications

Body Material: Thermoplastic

Color: Brown

Strap Material: Steel

Face Material: Thermoplastic

Operating Temperature: -40C to 60C

Mechanical Specifications

Wire: 3

NEMA: 5-15R

Pole: 2

Termination: Quickwire Push-In & Side

Performance Data

Warranty: 2 Year Limited

Product Features

Device Type: Duplex Receptacle

Amperage: 15 Amp

Voltage: 125 Volt

NEMA: 5-15R

Pole: 2

Wire: 3

Termination: Quickwire Push-In & Side

Warranty: 1 Year Limited

Face Material: Thermoplastic

Color: Brown

Grounding: Grounding

Standards and Certifications: UL/CSA

Warranty: 2 Year Limited

Standards and Certifications

UL Listed: File E13393

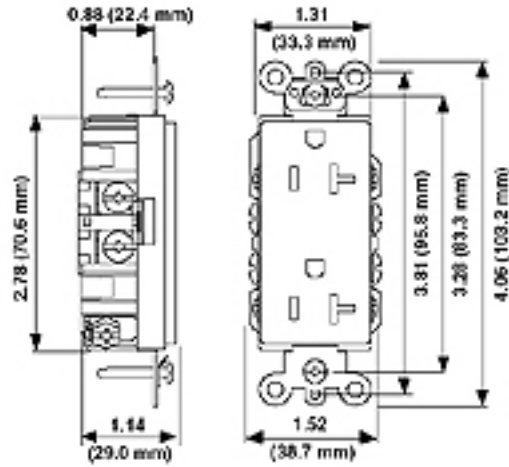
NOM Certified: 057

CSA: Certified

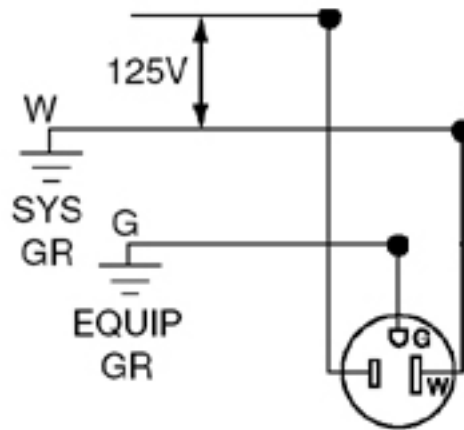
Features and Benefits

- Terminal screws accept up to No. 12 AWG Cooper or copper-clad wire.
- Quick wire push-in terminals accept No. 14 AWG solid cooper wire only.
- Double-wipe power contacts for reliable conductivity and plug retention.
- Heavy-gauge zinc-plated steel mounting strap.
- Limited Two-Year warranty.
- Color: Mahogany(Brown)

Dimensional Diagram



Wiring Diagram



5-15R

SPECIFICATION SUBMITTAL

JOB NAME: <input type="text"/>	CATALOG NUMBERS: <input type="text"/>	
JOB NUMBER: <input type="text"/>	<input type="text"/>	<input type="text"/>

Leviton Manufacturing Co., Inc.

201 North Service Road, Melville, NY 11747

Telephone: 1-800-323-8920 · FAX: 1-800-832-9538 · Tech Line (8:30AM-7:30PM E.S.T. Monday-Friday): 1-800-824-3005

Leviton Manufacturing of Canada, Ltd.

165 Hymus Boulevard, Pointe Claire, Quebec H9R 1E9 · Telephone: 1-800-469-7890 ·

FAX: 1-800-824-3005 · www.leviton.com/canada

Leviton S. de R.L. de C.V.

Lago Tana 43, Mexico DF, Mexico CP 11290 · Tel.: (+52)55-5082-1040 · FAX: (+52)5386-1797 · www.leviton.com.mx

Visit our Website at: www.leviton.com

© 2012-2016 Leviton Manufacturing Co., Inc. All rights reserved. Subject to change without notice.

Leviton has a global presence.

If you would like to know where your local Leviton office is located please go to: www.leviton.com/international/contacts/

