

5325-T



UPC Code: 07847727493

Country of Origin: Please Contact Customer Service

NEMA: 5-15R



Straight Blade Wiring Devices

Brand Features

Leviton's comprehensive Residential Grade Receptacles portfolio includes devices rated for all residential applications in a variety of standard configurations. They are produced in an array of colors in both Decora and traditional styles. All duplex receptacles are designed with thermoplastic construction and feature a shallow build for maximum wiring room. Each duplex is also equipped with break-off plaster ears and tabs to allow for easy alignment and two-circuit conversion.

Item Description

15 Amp-125 Volt, 2 Pole-3 Wire, Nema 5-15R. Receptacle decora duplex, with-quickwire and side wired, all screws out, stamped ul, ears, ground screw, mounting. Light Almond

Technical Information

Product Features

Grounding: Grounding

Amperage: 15 Amp

Voltage: 125 Volt

NEMA: 5-15R

Pole: 2

Wire: 3

Termination: Quickwire Push-In & Side

Face Material: Thermoplastic

Body Material: Thermoplastic

Strap Material: Steel

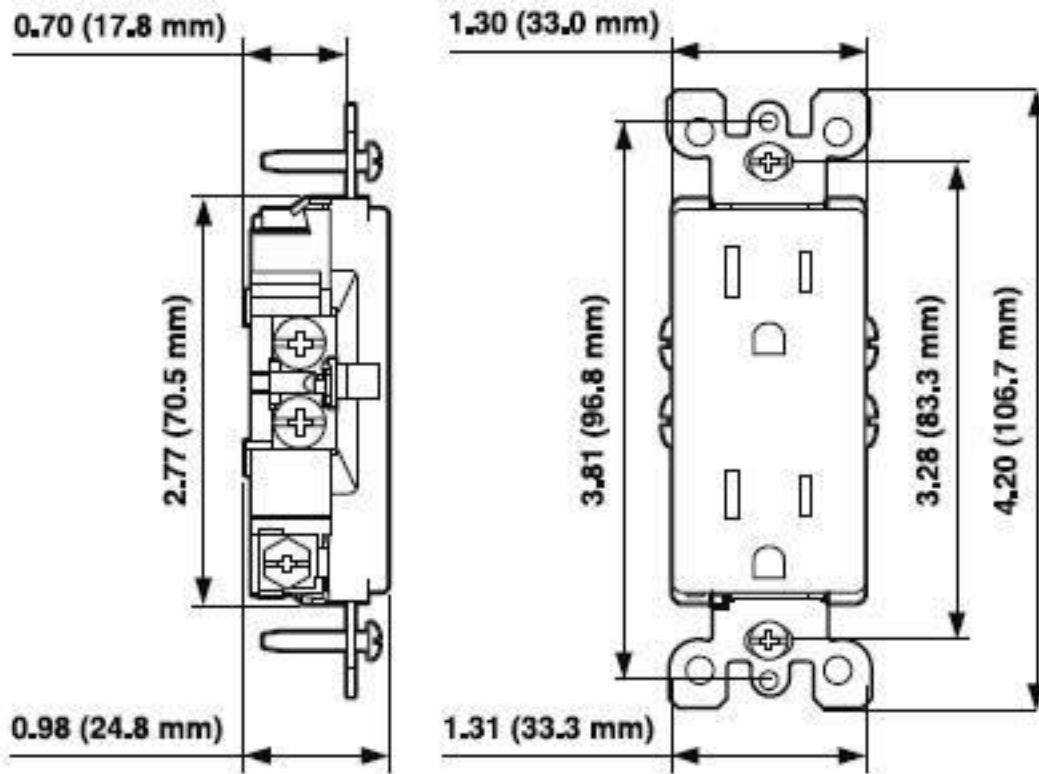
Color: Light Almond

Standards and Certifications: UL/CSA

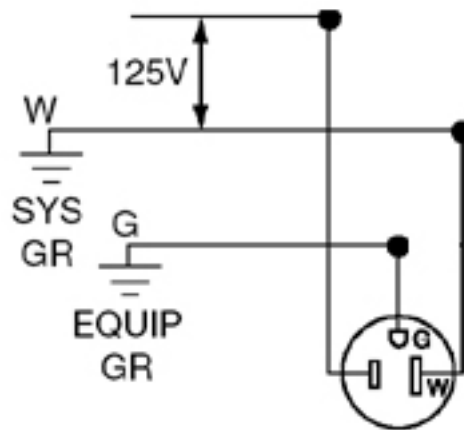
Warranty: 1 Year Limited

Features and Benefits

- Side Wire and Quickwire holes accept No. 14 AWG copper wire for Cat. No. 5325
- Heavy-gauge zinc-plated steel mounting strap
- Heavy-duty double-wipe brass contacts for long service life
- Backed by a Limited One-Year Warranty



Wiring Diagram



5-15R

SPECIFICATION SUBMITTAL

JOB NAME:	CATALOG NUMBERS:	
<input type="text"/>	<input type="text"/>	<input type="text"/>
JOB NUMBER:	<input type="text"/>	<input type="text"/>

Leviton Manufacturing Co., Inc.

201 North Service Road, Melville, NY 11747

Telephone: 1-800-323-8920 · FAX: 1-800-832-9538 · Tech Line (8:30AM-7:30PM E.S.T. Monday-Friday): 1-800-824-3005

Leviton Manufacturing of Canada, Ltd.

165 Hymus Boulevard, Pointe Claire, Quebec H9R 1E9 · Telephone: 1-800-469-7890 ·

FAX: 1-800-824-3005 · www.leviton.com/canada

Leviton S. de R.L. de C.V.

Lago Tana 43, Mexico DF, Mexico CP 11290 · Tel.: (+52)55-5082-1040 · FAX: (+52)5386-1797 · www.leviton.com.mx

Visit our Website at: www.leviton.com

© 2012-2016 Leviton Manufacturing Co., Inc. All rights reserved. Subject to change without notice.

Leviton has a global presence.

If you would like to know where your local Leviton office is located please go to: www.leviton.com/international/contacts/

