

# 5320-ICP

# Straight Blade Wiring Devices

### Brand Features

Leviton's comprehensive Residential Grade Receptacles portfolio includes devices rated for all residential applications in a variety of standard configurations. They are produced in an array of colors in both Decora and traditional styles. All duplex receptacles are designed with thermoplastic construction and feature a shallow build for maximum wiring room. Each duplex is also equipped with break-off plaster ears and tabs to allow for easy alignment and two-circuit conversion.

### Item Description

15 Amp, 125 Volt, NEMA 5-15R, 2P, 3W, With Ears Duplex Receptacle, Straight Blade, Residential Grade, Grounding, All Screws Backed Out Contractor Pack, Quickwire Push-In & Side Wired, Steel Strap, - Ivory

### Technical Information

#### Product Features

**Grounding:** Grounding

**Feature:** All Screws Backed Out Contractor Pack

**Feature:** All Screws Backed Out

**Amperage:** 15 Amp

**Voltage:** 125 Volt

**NEMA:** 5-15R

**Pole:** 2

**Wire:** 3

**Termination:** Quickwire Push-In & Side

**Face Material:** Thermoplastic

**Body Material:** Thermoplastic

**Strap Material:** Steel

**Color:** Ivory

**Standards and Certifications:** UL

**Warranty:** 2 Year Limited



Color:  Ivory

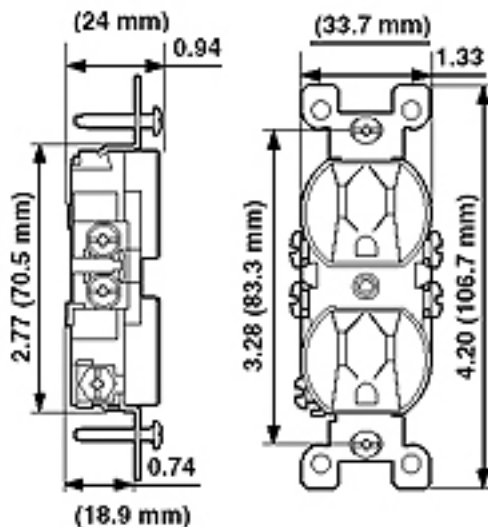
UPC Code: 07847715127

Country of Origin: Please Contact Customer Service

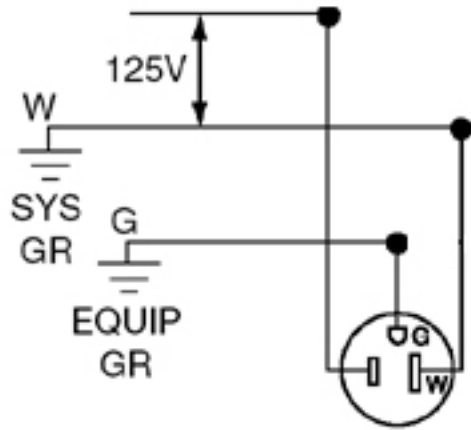
NEMA: 5-15R



### Dimensional Diagram



## Wiring Diagram



5-15R

### SPECIFICATION SUBMITTAL

JOB NAME: <input style="width: 95%; height: 20px;" type="text"/>	CATALOG NUMBERS: <input style="width: 95%; height: 20px;" type="text"/>	
JOB NUMBER: <input style="width: 95%; height: 20px;" type="text"/>	<input style="width: 95%; height: 20px;" type="text"/>	<input style="width: 95%; height: 20px;" type="text"/>

**Leviton Manufacturing Co., Inc.**

201 North Service Road, Melville, NY 11747  
 Telephone: 1-800-323-8920 · FAX: 1-800-832-9538 · Tech Line (8:30AM-7:30PM E.S.T. Monday-Friday): 1-800-824-3005

**Leviton Manufacturing of Canada, Ltd.**

165 Hymus Boulevard, Pointe Claire, Quebec H9R 1E9 · Telephone: 1-800-469-7890 ·  
 FAX: 1-800-824-3005 · [www.leviton.com/canada](http://www.leviton.com/canada)

**Leviton S. de R.L. de C.V.**

Lago Tana 43, Mexico DF, Mexico CP 11290 · Tel.: (+52)55-5082-1040 · FAX: (+52)5386-1797 · [www.leviton.com.mx](http://www.leviton.com.mx)

**Visit our Website at: [www.leviton.com](http://www.leviton.com)**

© 2012-2016 Leviton Manufacturing Co., Inc. All rights reserved. Subject to change without notice.

**Leviton has a global presence.**

If you would like to know where your local Leviton office is located please go to: [www.leviton.com/international/contacts/](http://www.leviton.com/international/contacts/)

