

# 1453-2



Color:  Brown

UPC Code: 07847717450

Country of Origin: Please Contact Customer Service

### Brand Features

Tried-and-true toggle designs, Leviton Residential Grade AC Quiet Switches cover all the bases; they install easily and are available in standard and illuminated versions. Their toggles and frames are constructed of impact-resistant thermoplastic, and they feature large head, hardened triple-drive screws for easy installation. Leviton's traditional switches are compatible with a wide range of Leviton plastic and metal wallplates.

### Item Description

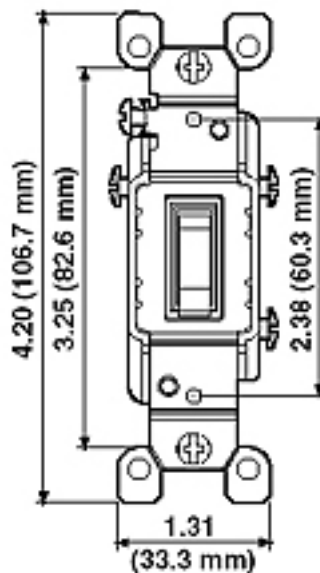
15 Amp, 120 Volt, Toggle Framed 3-Way AC Quiet Switch, Residential Grade, Grounding, Quickwire Push-In & Side Wired, - Brown

### Technical Information

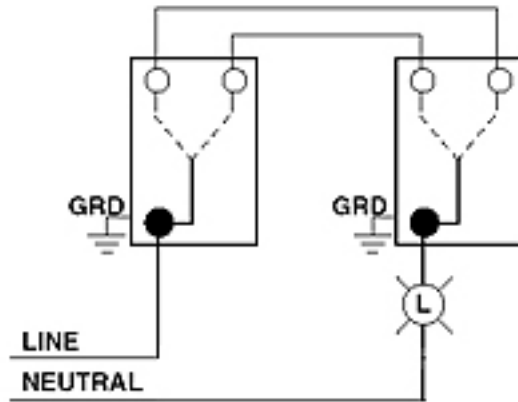
#### Product Features

- Grounding:** Grounding
- Feature:** Framed
- Amperage:** 15 Amp
- Voltage:** 120 VAC
- Voltage:** 120 Volt
- HP Rating:** 1/2HP-120V
- Max. Amperage:** 12 Amp
- Termination:** Quickwire Push-In & Side
- Actuator Material:** Thermoplastic
- Body Material:** Thermoplastic
- Strap Material:** Steel
- Color:** Brown
- Standards and Certifications:** UL/CSA
- Warranty:** 2 Year Limited

### Dimensional Diagram



## Wiring Diagram 3-Way to 3-Way



### SPECIFICATION SUBMITTAL

JOB NAME: <input style="width: 90%;" type="text"/>	CATALOG NUMBERS: <input style="width: 60%;" type="text"/> <input style="width: 30%;" type="text"/>	
JOB NUMBER: <input style="width: 90%;" type="text"/>	<input style="width: 100%;" type="text"/>	<input style="width: 100%;" type="text"/>

**Leviton Manufacturing Co., Inc.**  
 201 North Service Road, Melville, NY 11747  
 Telephone: 1-800-323-8920 · FAX: 1-800-832-9538 · Tech Line (8:30AM-7:30PM E.S.T. Monday-Friday): 1-800-824-3005

**Leviton Manufacturing of Canada, Ltd.**  
 165 Hymus Boulevard, Pointe Claire, Quebec H9R 1E9 · Telephone: 1-800-469-7890 ·  
 FAX: 1-800-824-3005 · [www.leviton.com/canada](http://www.leviton.com/canada)

**Leviton S. de R.L. de C.V.**  
 Lago Tana 43, Mexico DF, Mexico CP 11290 · Tel.: (+52)55-5082-1040 · FAX: (+52)5386-1797 · [www.leviton.com.mx](http://www.leviton.com.mx)

Visit our Website at: [www.leviton.com](http://www.leviton.com)  
 © 2012-2016 Leviton Manufacturing Co., Inc. All rights reserved. Subject to change without notice.

**Leviton has a global presence.**  
 If you would like to know where your local Leviton office is located please go to: [www.leviton.com/international/contacts/](http://www.leviton.com/international/contacts/)

