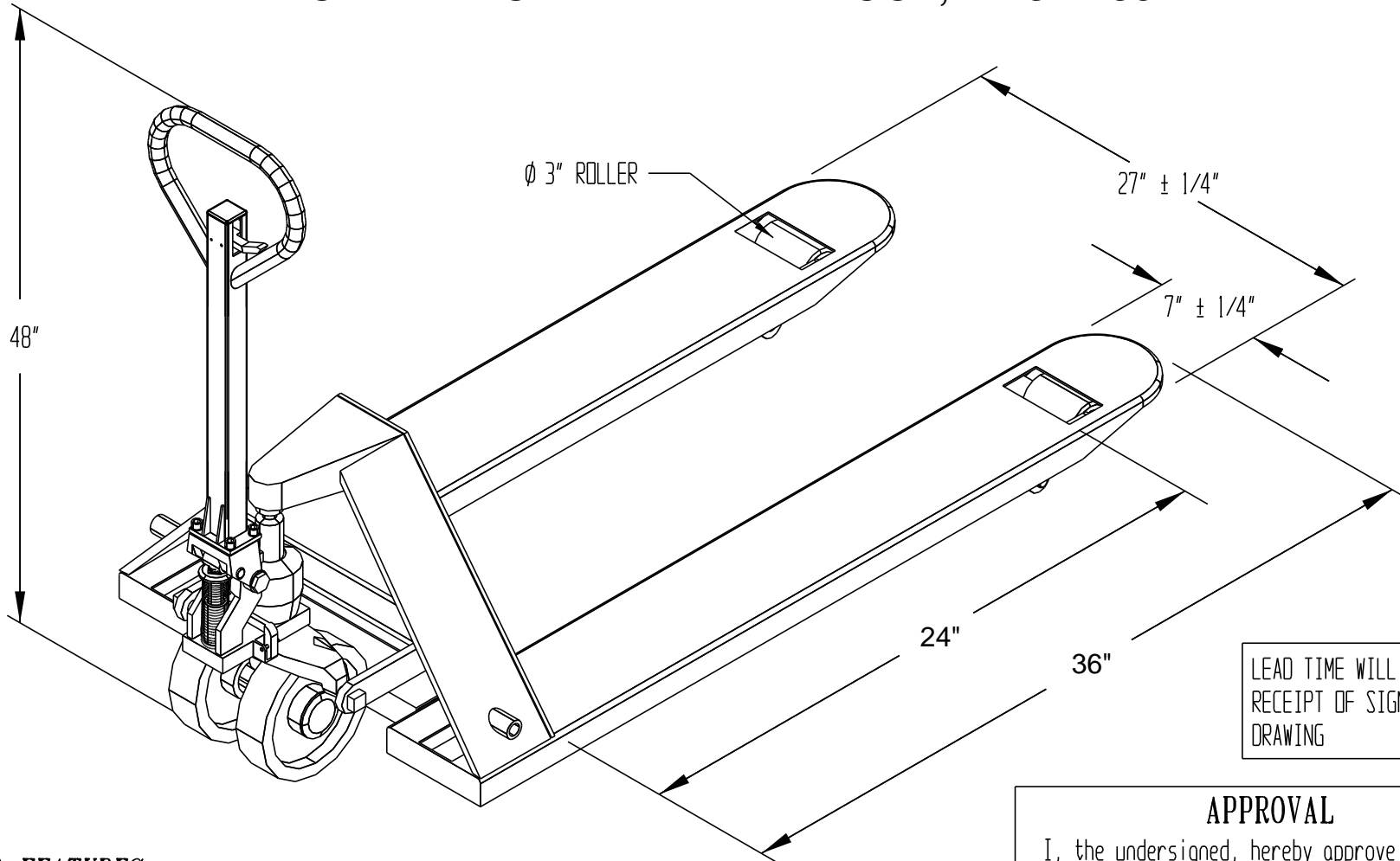


# FULL FEATURED PALLET TRUCK, PM5-2736



LEAD TIME WILL START UPON RECEIPT OF SIGNED APPROVAL DRAWING

## STANDARD FEATURES

MODEL NUMBER: **PM5-2736**  
 OVERALL FORK WIDTH IS **27 ± 1/4 INCHES**  
 OVERALL FORK LENGTH IS **36 INCHES**  
 CAPACITY IS **5,500 LBS**  
 LOWERED HEIGHT IS **2 7/8 INCHES**  
 RAISED HEIGHT IS **7 3/4 INCHES**

## SPECIAL FEATURES

NONE

## APPROVAL

I, the undersigned, hereby approve this print  
 As drawn       As marked  
 This includes my approval of design & dimensions.  
 Signed: \_\_\_\_\_  
 Date: \_\_\_\_\_

DISTRIBUTOR'S NAME:		P.O.#: _
<b>VESTIL MANUFACTURING</b>		W.O.#: _
DRAWN BY: _	DATE: _	SALES: _
REFERENCE:		DRWG./FILE NAME:
-		SCALE: NTS

\*\*SPECIAL UNITS ARE NON-RETURNABLE  
 \*AVAILABLE AT ADDITIONAL COSTS