



# Optanium T8 Instant Start

## OPTANIUM ELE BALLAST (2) F96T8 120-277V

Reliable and energy efficient Philips Advance's Centium commercial grade specifications, plus added benefits of lamp striation reduction technology.

### Product data

#### • General Characteristics

Lamp Type	F96T8
Number of Lamps	1/2 piece
Input Voltage	120-277 V
Line Frequency	50/60 Hz
Ballast Type	Electronic Fluorescent
Base Model	IOP2P59N
Housing	N
Housing Dimensions	9.5" x 1.3" x 1.0"
Housing Material	Metal
Suitable for Outdoor use?	Yes
Starting Method	Instant Start
Family Name	Optanium

#### • Operating Characteristics

Automatic restart	Yes
Ignition time	0.1 s
Input Power Gear	113-111 W
Ballast factor	0.87 -
Ballast Efficacy Factor	0.81 -
Power Factor	0.98
Lamp Current Crest Factor	1.6 -
Sound Rating	A
Max THD	10 %

#### • Wiring Characteristics

Color input terminals	No terminals
Color output terminals	No terminals
Connector type	No connector
Wire Striplength	0.50/0.375 mm
Lamp Connection	Parallel
Wire Gauge	18AWG

Wire Length by Color	See data sheet
Wire Type	Solid
Allowed Wiring Config(Remote)	Yes
Allowed Wiring Config(Tandem)	Yes
Allowed Wiring Config(Through)	Yes
Max Dist. Ball to Lamp(Remote)	20'
Max Dist. Ball to Lamp(Tandem)	Any = 20'
Max Dist. Ball to Lamp(Through)	Any = 20'

#### • System Chars on driver level

Rated Lamp Watts	59W
------------------	-----

#### • Temperature Characteristics

T-case maximum	70 C
----------------	------

#### • Product Dimensions

Length A1	9.5 in
Length A2	8.9 in
Width B1	1.3 in
Height C1	1.0 in

#### • Approval & Application Chars

EMC Immunity	FCC Non-Consumer
Approbation Marks	UL, CSA, DOE, RoHS
UL Listed	Yes
CSA certificate	Yes

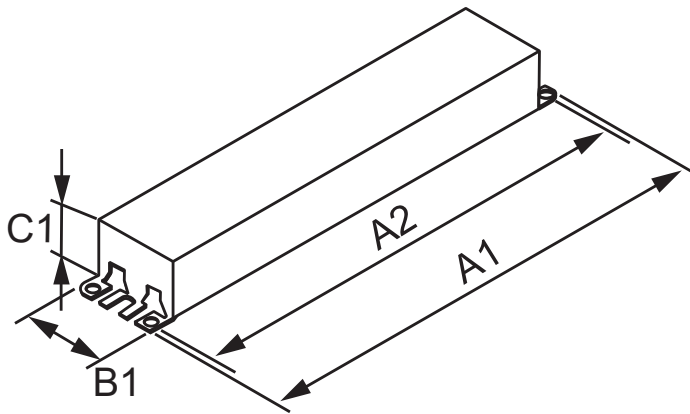
**PHILIPS**

CEC Listing	Yes
CEE Rated	No
Circle E logo	Yes
CSA E	No
cUL certificate	No
DOE	Yes
Energy Star	No
FIDE Certificate	No
NEMA Premium	No
NOM certificate	No
RoHS Compliant	Yes
SASO Certificate	No
UL Recognized	No

## • Product Data

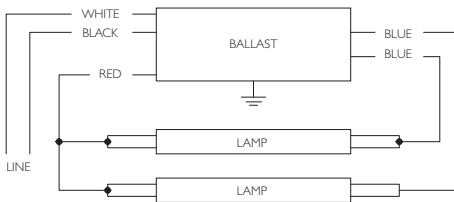
Product number	IOP2P59N35I
Full product name	ELE BALLAST (2) F96T8 120-277V
Short product name	ELE BALLAST (2) F96T8 120-277V
Pieces per Sku	1
Skus/Case	10
Bar code on pack	781087135624
Bar code on case	30781087135625
Logistics code(s)	913701262101
eop_net_weight_pp	0.350 kg

## Dimensional drawing



## OPTANIUM ELE BALLAST (2) F96T8 120-277V

Product	A1 (Norm)	A2 (Norm)	A3 (Norm)	B1 (Norm)	C1 (Norm)
ELE BALLAST (2) F96T8 120-277V	9.5	8.9	-	1.3	1.0



For single lamp operation, insulate unused blue lead for 600 V



© 2015 Koninklijke Philips N.V. (Royal Philips)  
All rights reserved.

Specifications are subject to change without notice. Trademarks are the property of Koninklijke Philips N.V. (Royal Philips) or their respective owners.

[www.philips.com/lighting](http://www.philips.com/lighting)

2015, September 16  
data subject to change