

# Core & Coil (71A) HPS 200W - 400W

## CORE & COIL HID HPS BAL 400W S51 5-TAP KIT

The basic ballast is the open core and coil which is most often used as a component within a lighting luminaire. The core and coil also forms the nucleus of Philips Advance's five other ballast configurations.

### Product data

#### • General Characteristics

Lamp Type	400W HPS
Number of Lamps	1 piece
Line Voltage	120/208/240/277/480 V
Input Current (Operating)	3.85/2.2/1.95/1.75/0.95 A
Line Frequency	60 Hz
Circuit Type	CWA
Ballast Type	Magnetic HID
Base Model	71A8453
Core Size	4 x 4 (2 coil)
Suitable for Outdoor use?	Yes
Ignitor Catalog Number	LI501-H4
Ignitor Temp Rating	105°C
Capacitor value [µF]	55 MFD
Capacitor Catalog Number	7C550P24RA
Capacitor Requirements	240V
Capacitor Temp Rating	105°C
Capacitor Dia/Oval Dim	1.85 in
Capacitor Height	3.70 in
Family Name	Core & Coil HPS

#### • Operating Characteristics

Automatic restart	No
Input Voltage at Lamp Dropout	82/101/129/153/218 V
Nominal Open Circuit Voltage	190 V
Inp. Current (Open Circuit)	1.73/1.0/0.89/0.73/0.41 A

Input Current (Starting)	2.91/1.67/1.42/1.26/0.72 A
Input Current Short Circuit	2.48-3.72/1.4-2.1/1.24-1.86/1.07-1.61/0.62-0.94 A
Secondary ShortCircuit Current	6.0-7.4 A
Input Power Gear	460 W
Constant wattage deviation	Within Trapezoid
Ballast factor	1 -
Power Factor	0.90

#### • Wiring Characteristics

Wire Striplength	0.5 mm
Wire Length by Color	12"
Wire Type	Stranded
Allowed Wiring Config(Remote)	Yes
Max Dist. Ball to Lamp(Remote)	2'
Recommended Fuse	10/6/5/5/3 A

#### • System Chars on driver level

Rated Lamp Watts	400W
------------------	------

#### • Product Dimensions

Length A1	4.8 in
Length A2	4.4 in
Width B1	4.3 in
Coil Depth C1	4.84 in
Stack Height C2	2.65 in
Width B2	3.9 in

**PHILIPS**

# Core & Coil (71A) HPS 200W - 400W

## • Approval & Application Chars

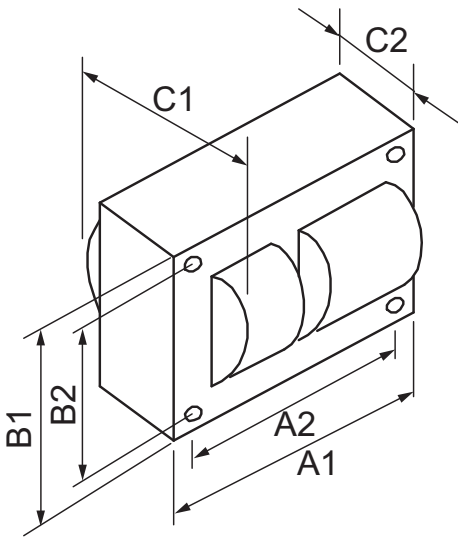
Approbation Marks	ULR, CSA, RoHS
CE marking	No
VDE certificate	No
UL Listed	No
CSA certificate	Yes
CCC certificate	No
Chia Quality Certificate	No
Temperature marking	C/C/D/D/C
CEC Listing	No
cUL certificate	No
EISA	No
ETL Certificate	No
FIDE Certificate	No
NOM certificate	No
RoHS Compliant	Yes
SASO Certificate	No
UL Recognized	Yes
ANSI Code	S51/M169

HiPot Test (1 minute)	2000 V
HiPot Test (2 seconds)	2500 V
Open Circ Voltage Test (Volts)	176-214 V
UL Insulation Class	H(180°C)
UL Temperature Code	1029D

## • Product Data

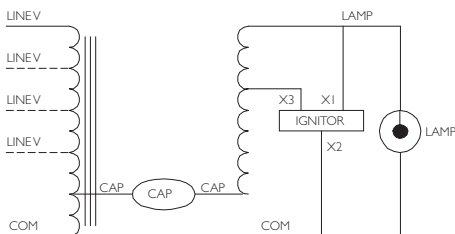
Product number	71A8453001D
Full product name	HPS BAL 400W S51 5-TAP KIT
Short product name	HPS BAL 400W S51 5-TAP KIT
Pieces per Sku	1
Skus/Case	1
Bar code on pack	781087111819
Bar code on case	30781087111810
Logistics code(s)	913710414801
eop_net_weight_pp	7.771 kg

## Dimensional drawing



## CORE & COIL HID HPS BAL 400W S51 5-TAP KIT

Product	A1 (Norm)	A2 (Norm)	A3 (Norm)	B1 (Norm)	B2 (Norm)	C1 (Norm)	C2 (Norm)
HPS BAL 400W S51 5-TAP KIT	4.8	4.4	-	4.3	3.9	4.84	2.65



© 2015 Koninklijke Philips N.V. (Royal Philips)  
All rights reserved.

Specifications are subject to change without notice. Trademarks are the property of Koninklijke Philips N.V. (Royal Philips) or their respective owners.

[www.philips.com/lighting](http://www.philips.com/lighting)

2015, August 29  
data subject to change