



Mark 10 Powerline

MARK 10 POWERLINE ELE DIMMING BALLAST (2) F32T8 120V

For companies looking to make their fixed-output linear T8, 4-pin CFL, and T5/HO fluorescent systems more cost effective and sustainable, Mark 10 Powerline ballasts provide an easy solution without the need for additional control leads. Simply, (1) replace the ballast, (2) replace the switch, (3) dim the lights, that is all it takes. It's that easy to bring the convenience and flexibility of fluorescent dimming to conference rooms, private offices, auditoriums, architectural cove lighting – anywhere dimming is required.

Product data

• General Characteristics

Lamp Type	F32T8
Number of Lamps	2 piece
Input Voltage	120 V
Input Current (Operating)	0.57 A
Line Frequency	60 Hz
Ballast Type	Dimmable Fluorescent
Base Model	REZ2S32SC
Housing	SC
Housing Dimensions	9.5" x 1.7" x 1.18"
Housing Material	Metal
Suitable for Outdoor use?	Yes
Starting Method	Programmed Start
Family Name	Mark 10 Powerline

• Operating Characteristics

Automatic restart	Yes
Ignition time	1.5 s
Min. Input Watts	15 (min) W
Max. Input Watts	68 (max) W
Min. Ballast Factor	0.05 (min) -
Max. Ballast Factor	1 (max) -
Ballast Efficacy Factor	1.47 -
Power Factor	0.99
Lamp Current Crest Factor	1.6 -
Sound Rating	A
Max THD	10 %

• Wiring Characteristics

Color input terminals	No terminals
Color output terminals	No terminals

Connector type	No connector
Wire Striplength	0.50/0.375 mm
Control Wire Gauge	NA
Lamp Connection	Series
Wire Gauge	18AWG
Wire Length by Color	See data sheet
Wire Type	Solid
Allowed Wiring Config(Remote)	Yes
Allowed Wiring Config(Tandem)	Yes
Allowed Wiring Config(Through)	Yes
Max Dist. Ball to Lamp(Remote)	6'
Max Dist. Ball to Lamp(Tandem)	Any = 6'
Max Dist. Ball to Lamp(Through)	Any = 6'

• System Chars on driver level

Rated Lamp Watts	32W
------------------	-----

• Temperature Characteristics

T-case maximum	70 C
----------------	------

• Product Dimensions

Length A1	9.5 in
Length A2	8.90 in
Width B1	1.7 in
Height C1	1.18 in

PHILIPS

• Approval & Application Chars

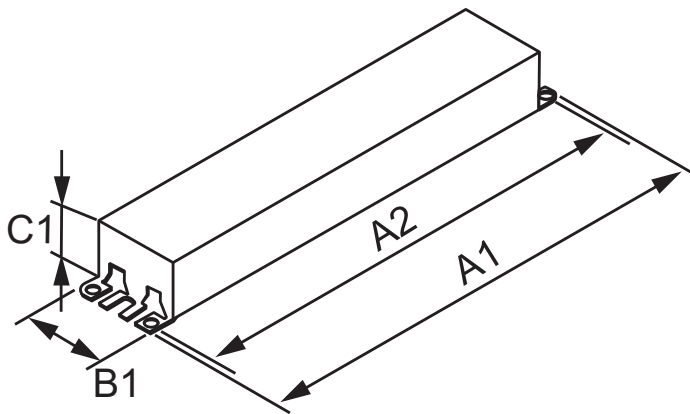
EMC Immunity	FCC Consumer
Approbation Marks	UL, CSA, NEMA Premium, RoHS
UL Listed	Yes
CSA certificate	Yes
CEC Listing	Yes
CEE Rated	Yes
Circle E logo	No
CSA E	Yes
cUL certificate	No
Energy Star	No
FIDE Certificate	No
NEMA Premium	Yes
NOM certificate	Yes
RoHS Compliant	Yes
SASO Certificate	No

UL Recognized No

• Product Data

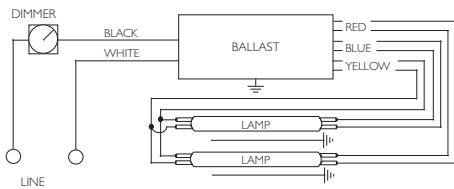
Product number	REZ2S32SC35I
Full product name	ELE DIMMING BALLAST (2) F32T8 120V
Short product name	ELE DIMMING BALLAST (2) F32T8 120V
Pieces per Sku	1
Skus/Case	10
Bar code on pack	781087109892
Bar code on case	30781087109893
Logistics code(s)	913710231601
eop_net_weight_pp	0.432 kg

Dimensional drawing



MARK 10 POWERLINE ELE DIMMING BALLAST (2) F32T8 120V

Product	A1 (Norm)	A2 (Norm)	A3 (Norm)	B1 (Norm)	C1 (Norm)
ELE DIMMING BALLAST (2) F32T8 120V	9.5	8.90	-	1.7	1.18



© 2015 Koninklijke Philips N.V. (Royal Philips)
All rights reserved.

Specifications are subject to change without notice. Trademarks are the property of Koninklijke Philips N.V. (Royal Philips) or their respective owners.

www.philips.com/lighting

2015, August 29
data subject to change