



Centium T8 Instant Start

CENTIUM ELE BALLAST (4) F32T8 120-277V

Reliable and energy efficient Philips Advance's Centium commercial grade specifications, plus added benefits of lamp striation reduction technology.

Product data

General Information		Color Output Terminals	
Lamp Type	F32T8	Color Output Terminals	No terminals
Number of Lamps	3/4 piece/unit	Wire Striplength	0.50/0.375 mm
Ballast Type	Electronic Fluorescent	Lamp Connection	Parallel
Base Model	ICN4P32N	Wire Length By Color	See data sheet
Suitable For Outdoor Use	Yes	Wire Gauge (Nom)	18AWG mm
Automatic Restart	Yes	Wire Type	Solid
Operating and Electrical		Remote Wiring Configuration Allowed	Yes
Input Voltage	120 to 277 V	Tandem Wiring Configuration Allowed	Yes
Input Frequency	50 to 60 Hz	Through Wiring Configuration Allowed	Yes
Max THD	10 %	Max Ballast-Lamp Distance Remote Wiring	ES = 6' / Standard = 20'
Starting Method	Instant Start	Max Ballast-Lamp Distance Tandem Wiring	ES = 6' / Standard = 20'
Lamp Current Crest Factor (Nom)	1.7	Max Ballast-Lamp Distance Through Wiring	ES = 6' / Standard = 20'
Ignition Time (Nom)	0.1 s	Connector Type	No connector
Ballast Factor (Nom)	0.89	Temperature	
Power Factor (Nom)	0.98	T-Case Maximum (Nom)	70 °C
Input Current (Operating) (Max)	0.94 A	Mechanical and Housing	
Input Current (Operating) (Min)	0.41 A	Housing Material	Metal
Input Power (Nom)	111-111 W	Housing	N
Rated Lamp Watts	32 W	Housing Dimensions	9.5" x 1.3" x 1.0"
Wiring		Approval and Application	
Color Input Terminals	No terminals	EMC Immunity Standard	FCC Non-Consumer

Centium T8 Instant Start

Approbation Marks	CSA certificate UL certificate CEC Listing CEE Rated NEMA Premium NOM certificate RoHS Compliant
--------------------------	--

Sound Rating	A
---------------------	---

UL Recognized	No
----------------------	----

Product Data

Order product name	CENTIUM ICN4P32N35I
---------------------------	---------------------

EAN/UPC - Product	781087091517
--------------------------	--------------

Order code	ICN4P32N35I
-------------------	-------------

Local order code	109132
-------------------------	--------

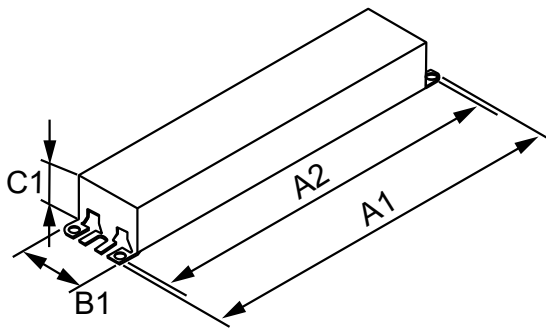
Numerator - Quantity Per Pack	1
--------------------------------------	---

Numerator - Packs per outer box	10
--	----

Material Nr. (12NC)	913701220301
----------------------------	--------------

Net Weight (Piece)	0.441 kg
---------------------------	----------

Dimensional drawing



ELE BALLAST (4) F32T8 120-277V

Product	A1	A2	B1	C1
----------------	-----------	-----------	-----------	-----------

