



# SmartMate

## CENTIUM ELE BALLAST (3) 40W CFL (4-PIN) 120-277V

Offering maximum versatility, the Philips Advance family of SmartMate ballasts for 4-pin compact fluorescent lamps drive a broad range of quad and triple-tube, circline, 2D, and long twin-tube lamps. SmartMate ballasts' energy efficient design, compact and lightweight housing, and user-friendly features make these ballasts an ideal choice for fixture manufacturers, retrofitters, and MRO replacement.

### Product data

#### • General Characteristics

Lamp Type	FT40W/2G11
Number of Lamps	2/3 piece
Input Voltage	120-277 V
Line Frequency	50/60 Hz
Ballast Type	Electronic Fluorescent
Base Model	ICN3TTP40SC
Housing	SC
Housing Dimensions	9.5" x 1.7" x 1.18"
Housing Material	Metal
Suitable for Outdoor use?	Yes
Starting Method	Instant Start
Family Name	Centium

#### • Operating Characteristics

Automatic restart	Yes
Ignition time	0.1 s
Input Power Gear	99-97 W
Ballast factor	0.88 -
Ballast Efficacy Factor	0.89 -
Power Factor	0.98
Lamp Current Crest Factor	1.7 -
Sound Rating	A
Max THD	10 %

#### • Wiring Characteristics

Color input terminals	No terminals
Color output terminals	No terminals
Connector type	No connector
Wire Striplength	0.50/0.375 mm
Lamp Connection	Parallel
Wire Gauge	18AWG

Wire Length by Color	See data sheet
Wire Type	Solid
Allowed Wiring Config(Remote)	Yes
Allowed Wiring Config(Tandem)	Yes
Allowed Wiring Config(Through)	Yes
Max Dist. Ball to Lamp(Remote)	20'
Max Dist. Ball to Lamp(Tandem)	Any = 20'
Max Dist. Ball to Lamp(Through)	Any = 20'

#### • System Chars on driver level

Rated Lamp Watts	40W
------------------	-----

#### • Temperature Characteristics

T-case maximum	70 C
----------------	------

#### • Product Dimensions

Length A1	9.5 in
Length A2	8.90 in
Width B1	1.7 in
Height C1	1.18 in

#### • Approval & Application Chars

EMC Immunity	FCC Non-Consumer
Approbation Marks	UL, CSA, RoHS
UL Listed	Yes
CSA certificate	Yes

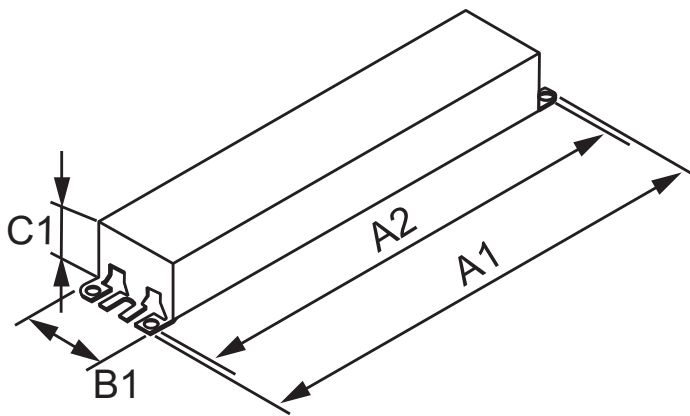
**PHILIPS**

CEC Listing	Yes
CEE Rated	No
Circle E logo	No
CSA E	No
cUL certificate	No
DOE	No
Energy Star	No
FIDE Certificate	No
NEMA Premium	No
NOM certificate	No
RoHS Compliant	Yes
SASO Certificate	No
UL Recognized	No

• Product Data

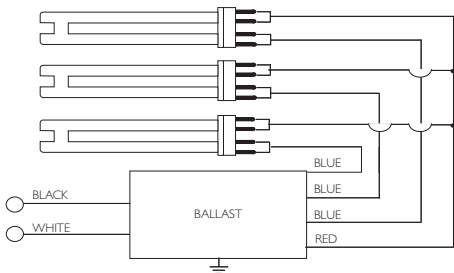
Product number	ICN3TTP40SC35I
Full product name	ELE BALLAST (3) 40W CFL (4-PIN) 120-277V
Short product name	ELE BALLAST (3) 40W CFL (4-PIN) 120-277V
Pieces per Sku	1
Skus/Case	10
Bar code on pack	781087065099
Bar code on case	30781087065090
Logistics code(s)	913710835401
eop_net_weight_pp	0.568 kg

Dimensional drawing



CENTIUM ELE BALLAST (3) 40W CFL (4-PIN) 120-277V

Product	A1 (Norm)	A2 (Norm)	A3 (Norm)	B1 (Norm)	C1 (Norm)
ELE BALLAST (3) 40W CFL (4-PIN) 120-277V	9.5	8.90	-	1.7	1.18



© 2015 Koninklijke Philips N.V. (Royal Philips)  
All rights reserved.

Specifications are subject to change without notice. Trademarks are the property of Koninklijke Philips N.V. (Royal Philips) or their respective owners.

[www.philips.com/lighting](http://www.philips.com/lighting)

2015, August 29  
data subject to change