



Centium T12 Rapid Start

CENTIUM ELE BALLAST (2) F40T12 120-277V

No matter what the conditions require, operating at a variety of line voltages between 120V to 480V, whether located in high ambient temperature environments (requiring a 90° C rating) or not, our family of Philips Advance Centium ballasts are ideal for a wide variety of applications.

Product data

General Information		Rated Lamp Watts	
Lamp Type	F40T12		40W W
Number of Lamps	1/2 piece/unit	Wiring	
Ballast Type	Electronic Fluorescent	Color Input Terminals	No terminals
Base Model	ICN2S40N	Color Output Terminals	No terminals
Suitable For Outdoor Use	Yes	Wire Striplength	0.50/0.375 mm
Automatic Restart	Yes	Lamp Connection	Series
Operating and Electrical		Wire Length By Color	See data sheet
Input Voltage	120 to 277 V	Wire Gauge (Nom)	18AWG mm
Input Frequency	50 to 60 Hz	Wire Type	Solid
Max THD	10 %	Remote Wiring Configuration Allowed	Yes
Power (Rated) (Nom)	40 W	Tandem Wiring Configuration Allowed	Yes
Starting Method	Rapid Start	Through Wiring Configuration Allowed	Yes
Lamp Current Crest Factor (Nom)	1.7	Max Ballast-Lamp Distance Remote Wiring	20'
Ignition Time (Nom)	1 s	Max Ballast-Lamp Distance Tandem Wiring	Red = 10'
Ballast Factor (Nom)	0.85	Max Ballast-Lamp Distance Through Wiring	Red = 10'
Power Factor (Nom)	0.98	Connector Type	No connector
Input Current (Operating) (Max)	0.62 A	Temperature	
Input Current (Operating) (Min)	0.26 A	T-Case Maximum (Nom)	70 °C
Input Power (Nom)	72-72 W		

Centium T12 Rapid Start

Mechanical and Housing

Housing Material	Metal
Housing	N
Housing Dimensions	9.5" x 1.3" x 1.0"

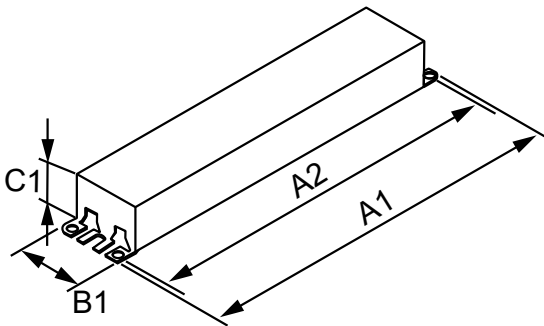
Approval and Application

EMC Immunity Standard	FCC Non-Consumer
Approbation Marks	CSA certificate UL certificate CEC Listing Circle E logo CSA E DOE RoHS Compliant
Sound Rating	A
UL Recognized	No

Product Data

Order product name	CENTIUM ICN2S40N35I
EAN/UPC - Product	781087074879
Order code	ICN2S40N35I
Local order code	198697
Numerator - Quantity Per Pack	1
Numerator - Packs per outer box	10
Material Nr. (12NC)	913710855801
Net Weight (Piece)	0.187 kg

Dimensional drawing



ELE BALLAST (2) F40T12 120-277V

Product	A1	A2	B1	C1
---------	----	----	----	----

