



Centium T5HO

CENTIUM ELE BALLAST (2) F24T5/HO 120-277V

No matter what the conditions require, operating at a variety of line voltages between 120V to 480V, whether located in high ambient temperature environments (requiring a 90° C rating) or not, our family of Philips Advance Centium ballasts are ideal for a wide variety of applications.

Product data

• General Characteristics

Lamp Type	F24T5/HO
Number of Lamps	1/2 piece
Input Voltage	120-277 V
Line Frequency	50/60 Hz
Ballast Type	Electronic Fluorescent
Base Model	ICN2S24N
Housing	N
Housing Dimensions	9.5" x 1.3" x 1.0"
Housing Material	Metal
Suitable for Outdoor use?	Yes
Starting Method	Programmed Start
Family Name	Centium

Wire Length by Color	See data sheet
Wire Type	Solid
Allowed Wiring Config(Remote)	Yes
Allowed Wiring Config(Tandem)	Yes
Allowed Wiring Config(Through)	Yes
Max Dist. Ball to Lamp(Remote)	20'
Max Dist. Ball to Lamp(Tandem)	Blue = 20'
Max Dist. Ball to Lamp(Through)	Blue = 20'

• Operating Characteristics

Automatic restart	Yes
Ignition time	1.5 s
Input Power Gear	54-53 W
Ballast factor	1.03 -
Ballast Efficacy Factor	1.91 -
Power Factor	0.98
Lamp Current Crest Factor	1.7 -
Sound Rating	A
Max THD	10 %

• System Chars on driver level

Rated Lamp Watts	24W
------------------	-----

• Temperature Characteristics

T-case maximum	70 C
----------------	------

• Product Dimensions

Length A1	9.50 in
Length A2	8.90 in
Width B1	1.30 in
Height C1	1.00 in

• Wiring Characteristics

Color input terminals	No terminals
Color output terminals	No terminals
Connector type	No connector
Wire Striplength	0.50/0.375 mm
Lamp Connection	Series
Wire Gauge	18AWG

• Approval & Application Chars

EMC Immunity	FCC Non-Consumer
Approbation Marks	UL, CSA, RoHS
UL Listed	Yes
CSA certificate	Yes

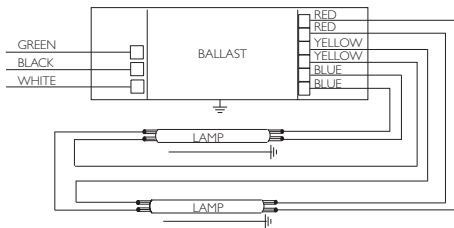
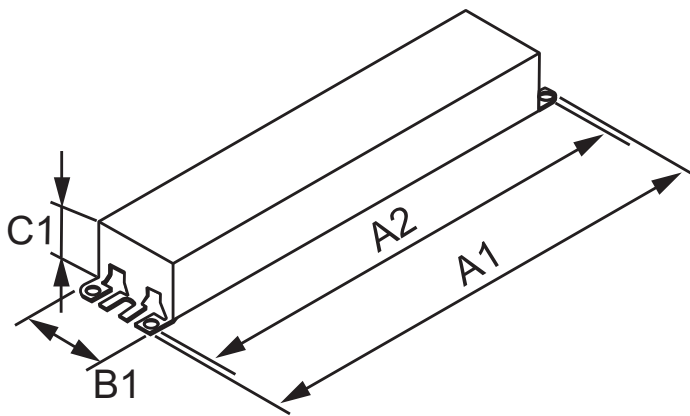
PHILIPS

CEC Listing	Yes
CEE Rated	No
Circle E logo	No
CSA E	No
cUL certificate	No
DOE	No
Energy Star	No
FIDE Certificate	No
NEMA Premium	No
NOM certificate	Yes
RoHS Compliant	Yes
SASO Certificate	No
UL Recognized	No

• Product Data

Product number	ICN2S24N35M
Full product name	ELE BALLAST (2) F24T5/HO 120-277V
Short product name	ELE BALLAST (2) F24T5/HO 120-277V
Pieces per Sku	1
Skus/Case	30
Bar code on pack	781087129555
Bar code on case	50781087129567
Logistics code(s)	913701248702
eop_net_weight_pp	0.350 kg

Dimensional drawing



CENTIUM ELE BALLAST (2) F24T5/HO 120-277V

Product	A1 (Norm)	A2 (Norm)	A3 (Norm)	B1 (Norm)	C1 (Norm)
ELE BALLAST (2) F24T5/HO 120-277V	9.50	8.90	-	1.30	1.00



© 2015 Koninklijke Philips N.V. (Royal Philips)
All rights reserved.

Specifications are subject to change without notice. Trademarks are the property of Koninklijke Philips N.V. (Royal Philips) or their respective owners.

www.philips.com/lighting

2015, August 29
data subject to change