



F-can (72C)

F-CAN HID MH BAL 100W M90/140 120/277V FCAN

The Philips Advance line of F-can HID ballasts comes in two dual-voltage configurations for the US and Canadian market. Ballasts for these luminaires are most often encased and potted in fluorescent ballast type cans.

Product data

• General Characteristics

Lamp Type	100W MH
Number of Lamps	1 piece
Line Voltage	120/277 V
Input Current (Operating)	1.1/0.48 A
Line Frequency	60 Hz
Circuit Type	HX-HPF
Ballast Type	Magnetic HID
Base Model	72C5381
Housing	F-Can
Housing Dimensions	11.75 x 2.63 x 3.19
Housing Material	Metal
Suitable for Outdoor use?	Yes
Ignitor Catalog Number	Inside Can
Capacitor Catalog Number	Inside Can
Family Name	F-Can

• Operating Characteristics

Automatic restart	No
Input Voltage at Lamp Dropout	72/166 V
Nominal Open Circuit Voltage	277 V
Inp. Current (Open Circuit)	2.55/1.1 A
Input Current (Starting)	2.2/0.95 A
Input Current Short Circuit	0.7-1.1/0.3-0.5 A
Secondary Short Circuit Current	1.3-1.6 A
Input Power Gear	125 W

Constant wattage deviation	12%
Ballast factor	1 -
Power Factor	0.90

• Wiring Characteristics

Wire Striplength	0.5 mm
Wire Length by Color	12"
Wire Type	Stranded
Allowed Wiring Config(Remote)	Yes
Max Dist. Ball to Lamp(Remote)	5'
Recommended Fuse	6/3 A

• System Chars on driver level

Rated Lamp Watts	100W
------------------	------

• Product Dimensions

Length A1	12 in
Length A2	11.13 in
Length A3	10.5 in
Width B1	3.9 in
Height C1	2.6 in
Fixing Hole Diameter D1	0.3 in
Width B2	2.0 in

• Approval & Application Chars

Approbation Marks	UL, CSA, RoHS
CE marking	No
VDE certificate	No

PHILIPS

F-can (72C)

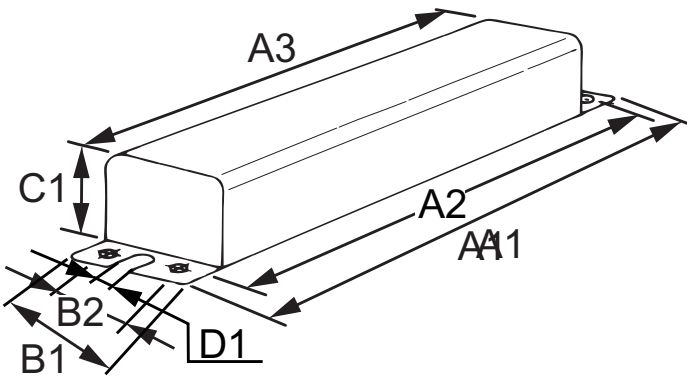
UL Listed	Yes
CSA certificate	Yes
CCC certificate	No
Chia Quality Certificate	No
Temperature marking	90°C max. case
CEC Listing	No
cUL certificate	No
EISA	No
ETL Certificate	No
FIDE Certificate	No
NOM certificate	No
RoHS Compliant	Yes
SASO Certificate	No
UL Recognized	No
ANSI Code	M90/M140 (Pulse Start)
HiPot Test (1 minute)	1600 V
HiPot Test (2 seconds)	2000 V

Open Circ Voltage Test (Volts)	250-305 V
UL Insulation Class	A(105°C)
UL Temperature Code	NA

• Product Data

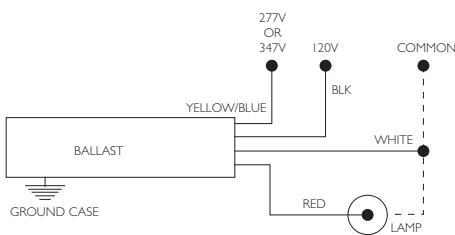
Product number	72C5381NP
Full product name	MH BAL 100W M90/140 120/277V FCAN
Short product name	MH BAL 100W M90/140 120/277V FCAN
Pieces per Sku	1
Skus/Case	4
Bar code on pack	781087253816
Bar code on case	50781087253811
Logistics code(s)	913700541809
eop_net_weight_pp	4.405 kg

Dimensional drawing



F-CAN HID MH BAL 100W M90/140 120/277V FCAN

Product	A1 (Norm)	A2 (Norm)	A3 (Norm)	B1 (Norm)	B2 (Norm)	C1 (Norm)	D1 (Norm)
MH BAL 100W M90/140 120/277V FCAN	12	11.13	10.5	3.9	2.0	2.6	0.3



© 2015 Koninklijke Philips N.V. (Royal Philips)
All rights reserved.

Specifications are subject to change without notice. Trademarks are the property of Koninklijke Philips N.V. (Royal Philips) or their respective owners.

www.philips.com/lighting

2015, August 29
data subject to change